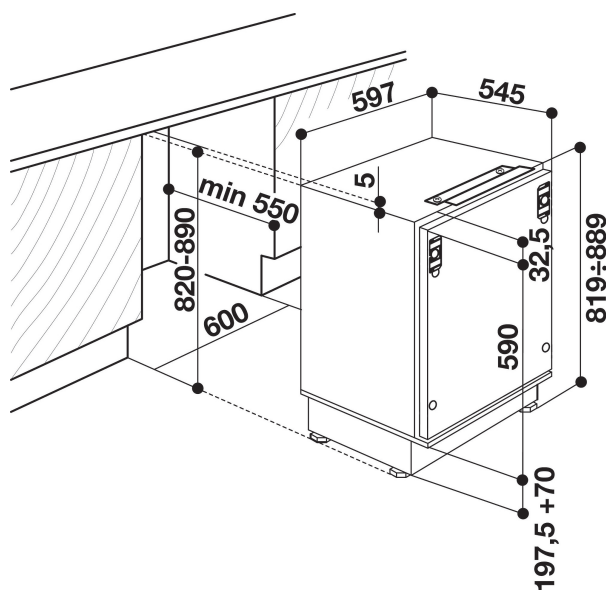


# IZ A1.UK 1

12NC: 859991604240

GTIN (EAN) code: 8050147604243

 **INDESIT**  
Life proof.



## MAIN FEATURES

Product group	Freezer
Commercial code	IZ A1.UK 1
GTIN (EAN) code	8050147604243
Construction type	Built-in
Installation type	Built-under
Type of control	Mechanical
Main colour of product	Steel
Electrical connection rating (W)	110
Current (A)	16
Voltage (V)	220-240
Frequency (Hz)	50
Length of Electrical Supply Cord (cm)	245
Plug type	UK
Total volume of the product (EU 2017/1369)	91
Height of the product	815
Width of the product	596
Depth of the product	545
Maximum adjustability feet	0
Net weight (kg)	35
Gross weight (kg)	35.8
Door hinge	-

## TECHNICAL FEATURES

Defrost process	Manual
Fast freezing function (EU 2017/1369)	No
Refrigerator section with thaw water drainage system	No
Number of drawers/baskets	2
Lockable door	No
Thermometer freezer section	None
Interior light	-

## PERFORMANCES

Energy Efficiency Class (Regulation (EU) 2017/1369)	F
Annual energy consumption in kilowatt hour per year (kWh/a) (EU) 2017/1369	218
Freezing Capacity (kg/24h) (4-star Compartment) (EU2017/1369)	10,0
Climate Class (EU) 2017/1369	extended temperate/ tropical
The sum of the volumes of the frozen compartments (EU 2017/1369)	91
Airborne acoustical noise emissions (EU 2017/1369)	40
Airborne acoustical noise emission class (EU 2017/1369)	C