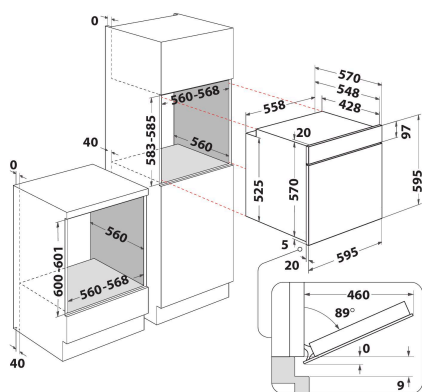


# IFW 6841 JH IX

12NC: F102779

GTIN (EAN) code: 8050147027790

 **INDESIT**



## MAIN FEATURES

|                                       |                |
|---------------------------------------|----------------|
| Product group                         | Oven           |
| Commercial code                       | IFW 6841 JH IX |
| Main colour of product                | ИНОКС          |
| Construction type                     | Built-in       |
| Type of control                       | Electronic     |
| Type of control settings              | -              |
| Are any hobs controls integrated?     | No             |
| Which kind of hobs can be controlled? | -              |
| Automatic programmes                  | Yes            |
| Current (A)                           | 13             |
| Voltage (V)                           | 220-240        |
| Frequency (Hz)                        | 50/60          |
| Length of Electrical Supply Cord (cm) | 100            |
| Plug type                             | No             |
| Depth with open door 90 degree (mm)   | -              |
| Height of the product                 | 595            |
| Width of the product                  | 595            |
| Depth of the product                  | 551            |
| Minimum niche height                  | 0              |
| Minimum niche width                   | 0              |
| Niche depth                           | 0              |
| Net weight (kg)                       | 27.1           |
| Usable volume (of cavity)             | 71             |
| Integrated Cleaning system            | Hydrolytic     |
| Grids of the cavity                   | 1              |
| Trays                                 | 2              |

## TECHNICAL FEATURES

|   |            |
|---|------------|
| Timer                                     | -          |
| Time control                              | Electronic |
| Time-setting options                      | Stop       |
| Safety device                             | -          |
| Interior light                            | Yes        |
| Number of interior lights of the cavity   | 1          |
| Position of interior lights of the cavity | Front left |
| Oven guides of the cavity                 | Grids      |
| Probe of the cavity                       | No         |

## ENERGY LABEL

|   |              |
|---|--------------|
| Energy input  | Electric     |
| Type of energy of the cavity  | електрически |
| Energy efficiency class - NEW (2010/30/EU)                            | A+           |
| Energy consumption per cycle conventional - NEW (2010/30/EU)          | 0.89         |
| Energy consumption per cycle forced air convection - NEW (2010/30/EU) | 0.69         |