

SAFETY INSTRUCTIONS

IMPORTANT TO BE READ AND OBSERVED

⚠ These instructions are valid if the country symbol appears on the appliance. If the symbol doesn't appear on the appliance, it is necessary to refer to the technical instructions which will provide the necessary instructions concerning modification of the appliance to the conditions of use of the country.

⚠ CAUTION: The use of the gas cooking appliance results in the production of heat, moisture and products of combustion in the room in which it is installed. Ensure that the kitchen is well ventilated especially when the appliance is in use: keep natural ventilation holes open or install a mechanical ventilation device (mechanical extractor hood). Prolonged intensive use of the appliance may call for additional ventilation, such as opening a window, or more effective ventilation, for example increasing the level of mechanical ventilation (if possible).

⚠ Failure to follow the information in this manual exactly may cause a fire or explosion, resulting in property damage or personal injury.

Before using the appliance, read these safety instructions. Keep them nearby for future reference.

These instructions and the appliance itself provide important safety warnings, to be observed at all times. The manufacturer declines any liability for failure to observe these safety instructions, for inappropriate use of the appliance or incorrect setting of controls.

⚠ WARNING: If the hob surface is cracked, don't use the appliance – risk of electrical shock.

⚠ WARNING: Danger of fire: Do not store items on the cooking surfaces.

⚠ CAUTION: The cooking process has to be supervised. A short cooking process has to be supervised continuously.

⚠ WARNING: Unattended cooking on a hob with fat or oil can be dangerous – risk of fire. NEVER try to extinguish a fire with water, but switch off the appliance and then cover flame e.g. with a lid or a fire blanket.

⚠ Do not use the hob as a work surface or support. Keep clothes or other flammable materials away from the appliance, until all the components have cooled down completely – risk of fire.

⚠ Very young children (0-3 years) should be kept away from the appliance. Young children (3-8 years) should be kept away from the appliance unless continuously supervised. Children from 8 years old and above and persons with reduced physical, sensory or mental capabilities or lack of experience and knowledge can use this appliance only if they are supervised or have been given instructions on safe use and understand the hazards involved. Children must not play with the appliance. Cleaning and user maintenance must not be carried out by children without supervision.

⚠ CAUTION: In case of hotplate glass breakage: shut immediately off all burners and any electrical heating element and isolate the appliance from the power

supply; do not touch the appliance surface; do not use the appliance.

The glass lid can break in if it is heated up. Turn off all the burners and the electric plates before closing the lid. Do not shout down lid when burner alight.

⚠ WARNING: The appliance and its accessible parts become hot during use. Care should be taken to avoid touching heating elements. Children less than 8 years of age must be kept away unless continuously supervised.

⚠ The food must not be left in or on the product for more than one hour before or after cooking.

PERMITTED USE

⚠ CAUTION: the appliance is not intended to be operated by means of an external switching device, such as a timer, or separate remote controlled system.

⚠ This appliance is intended to be used in household and similar applications such as: staff kitchen areas in shops, offices and other working environments; farm houses; by clients in hotels, motels, bed & breakfast and other residential environments.

⚠ No other use is permitted (e.g. heating rooms).

⚠ This appliance is not for professional use. Do not use the appliance outdoors.

⚠ Use pots and pans with bottoms the same width as that of the burners or slightly larger (see specific table). Make sure pots on the grates do not protrude beyond the edge of the hob.

⚠ Improper use of the grids can result in damage to the hob: do not position the grids upside down or slide them across the hob.

Do not let the burner flame extend beyond the edge of the pan.

If the hob surface is in glass material, do not use the cast iron griddles, ollar stones, terracotta pots and pans.

Do not use: heat diffusers such as metal mesh, or any other types; two burners simultaneously for one receptacle (e.g. Fish kettle).

Should particular local conditions of the delivered gas make the ignition of burner difficult, it is advisable to repeat the operation with the knob turned to small flame setting.

In case of installation of a hood above the cooktop, please refer to the hood instructions for the correct distance.

The protective rubber feet on the grids represent a choking hazard for young children. After removing the grids, please ensure that all the feet are correctly fitted.

INSTALLATION

⚠ The appliance must be handled and installed by two or more persons - risk of injury. Use protective gloves to unpack and install - risk of cuts.

⚠ The electrical and gas connections must comply with local regulation.

⚠ Installation, including water supply (if any) and electrical connections, and repairs must be carried out by a qualified technician. Do not repair or replace any part of the appliance unless specifically stated in the user manual. Keep children away from the installation site. After unpacking the appliance, make sure that it has not been damaged during transport. In the event of problems, contact the dealer or your nearest After-sales Service. Once installed, packaging waste (plastic, styrofoam parts etc.) must be stored out of reach of children - risk of suffocation. The appliance must be disconnected from

the power supply before any installation operation - risk of electrical shock. During installation, make sure the appliance does not damage the power cable - risk of fire or electrical shock. Only activate the appliance when the installation has been completed.

⚠ **WARNING:** Modification of the appliance and its method of installation are essential in order to use the appliances safely and correctly in all the additional countries.

⚠ Use pressure regulators suitable for the gas pressure indicated in the instruction.

⚠ The room must be equipped with an air extraction system that expels any combustion fumes.

⚠ The room must also allow proper air circulation, as air is needed for combustion to occur normally. The flow of air must not be less than 2 m³/h per kW of installed power.

⚠ The air circulation system may take air directly from the outside by means of a pipe with an inner cross section of at least 100 cm²; the opening must not be vulnerable to any type of blockages.

⚠ The system can also provide the air needed for combustion indirectly, i.e. from adjacent rooms fitted with air circulation tubes as described above. However, these rooms must not be communal rooms, bedrooms or rooms that may present a fire hazard.

⚠ Liquid petroleum gas sinks to the floor as it is heavier than air. Therefore, rooms containing LPG cylinders must also be equipped with vents to allow gas to escape in the event of a leak. As a result LPG cylinders, whether partially or completely full, must not be installed or stored in rooms or storage areas that are below ground level (cellars, etc.). It is advisable to keep only the cylinder being used in the room, positioned so that it is not subject to heat produced by external sources (ovens, fireplaces, stoves, etc.) which could raise the temperature of the cylinder above 50°C.

Should you experience difficulty in turning the burners knobs, please contact After Sales Service for replacement of the burner tap if found to be faulty.

The openings used for the ventilation and dispersion of heat must never be covered.

⚠ Carry out all cabinet cutting works before fitting the appliance in the furniture and remove all wood chips and sawdust.

⚠ If the appliance is not installed above an oven, a separator panel (not included) must be installed in the compartment under the appliance.

GAS CONNECTION

⚠ **WARNING:** Prior to installation, ensure that the local distribution conditions (type of gas and gas pressure) and the adjustment of the appliance are compatible.

⚠ Check that the pressure of the gas supply is consistent with the values indicated in "Burner and nozzle specifications" table.

⚠ **WARNING:** The configuration conditions for this appliance are stated on the label (or data plate).

⚠ **WARNING:** This appliance is not connected to a combustion products evacuation device. It must be installed and connected in accordance with current installation regulations. Particular attention must be paid to the relevant requirements regarding ventilation.

⚠ If the appliances is connected to liquid gas, the regulation screw must be fastened as tightly as possible.

⚠ **IMPORTANT:** When the gas cylinder or gas container is installed, it must be properly settled (vertical orientation).

⚠ **WARNING:** This operation must be performed by a qualified technician.

⚠ Use only flexible or rigid metal hose for gas connection.

⚠ Connection with a rigid pipe (copper or steel) Connection to the gas system must be carried out in such a way as not to place any strain of any kind on the appliance. There is an adjustable L-shaped pipe fitting on the appliance supply ramp and this is fitted with a seal in order to prevent leaks. The seal must always be replaced after rotating the pipe fitting (the seal is provided with the appliance). The gas supply pipe fitting is a threaded 1/2 gas cylindrical male attachment.

⚠ Connecting a flexible jointless stainless steel pipe to a threaded attachment. The gas supply pipe fitting is a threaded 1/2 gas cylindrical male attachment. These pipes must be installed so that they are never longer than 2000 mm when fully extended. Once connection has been carried out, make sure that the flexible metal pipe does not touch any moving parts and is not compressed. Only use pipes and seals that comply with current National regulations.

⚠ **IMPORTANT:** If a stainless steel hose is used, it must be installed so as not to touch any mobile part of the furniture (e.g. drawer). It must pass through an area where there are no obstructions and where it is possible to inspect it on all its length.

⚠ The appliance should be connected to the main gas supply or to gas cylinder in compliance with the current national regulations. Before making the connection, make sure that the appliance is compatible with the gas supply you wish to use. If this is not the case, follow the instructions indicated in the paragraph "Adapting to different types of gas".

⚠ After connection to the gas supply, check for leaks with soapy water. Light up the burners and turn the knobs from maximum position 1* to minimum position 2* to check flame stability.

ADAPTING TO DIFFERENT TYPES OF GAS

(This operation needs to be carried out by a qualified technician).

⚠ In order to adapt the appliance to a type of gas other than the type for which it was manufactured (indicated on the rating label), follow the dedicated steps provided after installation drawings.

ELECTRICAL WARNINGS

⚠ **IMPORTANT:** Information about current and voltage consumption is provided on the rating plate.

⚠ It must be possible to disconnect the appliance from the power supply by unplugging it if plug is accessible, or by a multi-pole switch installed upstream of the socket in accordance with the wiring rules and the appliance must be earthed in conformity with national electrical safety standards.

⚠ The power cable must be long enough to connect the appliance, once fitted in its housing, to the main power supply. Do not pull the power supply cable.

⚠ Do not use extension leads, multiple sockets or adapters. The electrical components must not be accessible to the user after installation. Do not use the appliance when you are wet or barefoot. Do not operate this appliance if it has a damaged power cable or plug, if it is not working properly, or if it has been damaged or dropped.

⚠ If the supply cord is damaged, it must be replaced with an identical one by the manufacturer, its service agent or similarly qualified persons in order to avoid a hazard - risk of electrical shock.


CLEANING AND MAINTENANCE

⚠ **WARNING:** Ensure that the appliance is switched off and disconnected from the power supply before performing any maintenance operation; never use steam cleaning equipment - risk of electric shock.

⚠ Do not use abrasive or corrosive products, chlorine-based cleaners or pan scourers.

⚠ To avoid damaging the electric ignition device, do not use it when the burners are not in their housing.

DISPOSAL OF PACKAGING MATERIALS

The packaging material is 100% recyclable and is marked with the recycle symbol .

The various parts of the packaging must therefore be disposed of responsibly and in full compliance with local authority regulations governing waste disposal.

DISPOSAL OF HOUSEHOLD APPLIANCES

This appliance is manufactured with recyclable or reusable materials. Dispose of it in accordance with local waste disposal regulations. For further information on the treatment, recovery and recycling of household electrical appliances, contact your local authority, the collection service for household waste or the store where you purchased the appliance. This appliance is marked in compliance with European Directive 2012/19/EU, Waste Electrical and Electronic Equipment (WEEE) and with the Waste Electrical and Electronic Equipment regulations 2013 (as amended).

By ensuring this product is disposed of correctly, you will help prevent negative consequences for the environment and human health.

The symbol  on the product or on the accompanying documentation indicates that it should not be treated as domestic waste but must be taken to an appropriate collection center for the recycling of electrical and electronic equipment.

ENERGY SAVING TIPS

Use pots and pans with bottom width equal to that of the cooking zone.

Only use flat-bottomed pots and pans.

When possible, keep pot lids on during cooking.

Use a pressure cooker to save even more energy and time.

DECLARATION OF CONFORMITY

This appliance meets Ecodesign requirements of European Regulation 66/2014 and The Ecodesign for Energy-Related Products and Energy Information (Amendment) (EU Exit) Regulations 2019 in compliance with the European standard EN 30-2-1.

The information related to low power mode of the appliance in accordance with Regulation (EU) 2023/826 can be found in the following link: <https://docs.emeaappliance-docs.eu>.

Type of gas used	Type of burner	Injector marking	Rated thermal flow rate kW	Rated consumption	Reduced heat capacity kW	Gas pressure mbar		
						min.	rat.	max.
NATURAL GAS (Methane) G20	Rapid (R)	115 Y	3,00	286 l/h	0,75	17	20	25
	Semi-rapid (SR)	95 Z	1,65	157 l/h	0,40			
	Auxiliary (AUX)	72 X	1,00	95 l/h	0,40			
LIQUEFIED PETROLEUM GAS (Butane) G30	Rapid (R)	85	3,00	218 g/h	0,75	20	30	35
	Semi-rapid (SR)	63	1,65	120 g/h	0,40			
	Auxiliary (AUX)	50	1,00	73 g/h	0,40			
LIQUEFIED PETROLEUM GAS (Propane) G31	Rapid (R)	85	3,00	214 g/h	0,75	20	30	35
	Semi-rapid (SR)	63	1,65	118 g/h	0,40			
	Auxiliary (AUX)	50	1,00	71 g/h	0,40			

Type of gas used	Model configuration 4 BURNERS	Rated thermal flowrate (kW)	Total rated consumption	Air required (m ³) for burning 1m ³ of gas
G20 20 mbar	1R - 2SR - 1AUX	7,30	695 l/h	9,52
G30 30 mbar	1R - 2SR - 1AUX	7,30	531 g/h	30,94
G31 30 mbar	1R - 2SR - 1AUX	7,30	521 g/h	23,80

ELECTRIC SUPPLY: 220-240 V ~ 50-60 Hz - 0,6W

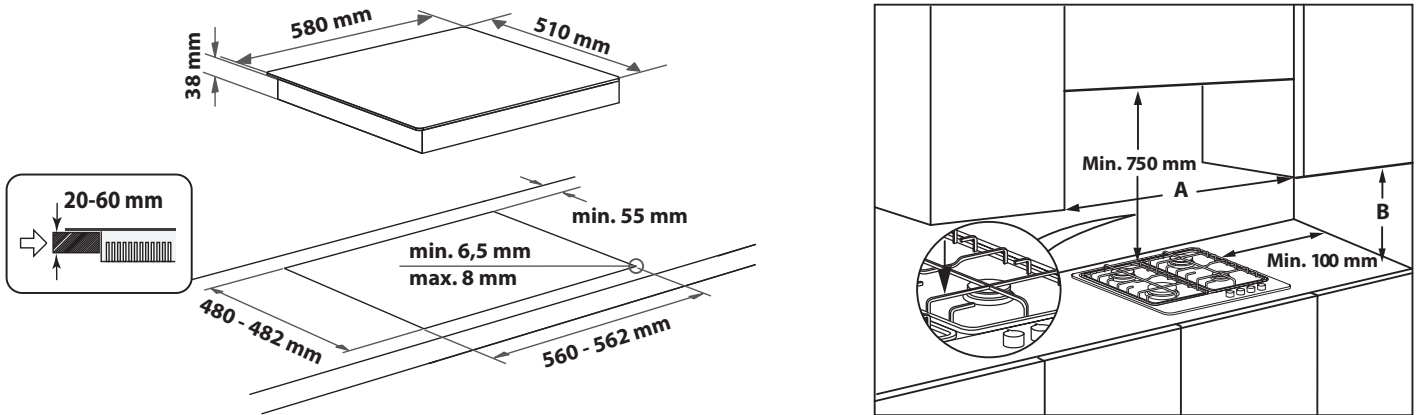


INSTALLATION (CLASS 3)

TECHNICAL INFORMATION FOR THE INSTALLER

- Use protective gloves for handling, preparing, and installing the product.
- This product can be embedded in a worktop 20 ÷ 60 mm thick.
- If there is no oven beneath the hob, insert a separator panel with a surface at least equal to the work surface's opening. This panel must be positioned at a maximum distance of 150 mm below the upper surface of the work surface but, in no case less than 20 mm from the bottom of the hob. In case you intend to install an oven beneath the hob, make sure that it is equipped with a cooling system.

DIMENSIONS AND DISTANCES TO BE MAINTAINED



NOTE: If distance "A" between the kitchen cabinets is between 600 mm and 730 mm, height "B" must be at least 530 mm. If distance "A" between the kitchen cabinets is greater than the width of the hob, height "B" must be at least 400 mm. If a hood is installed above the hob, refer to the assembly instructions for the hood to see the necessary distance.

ASSEMBLY

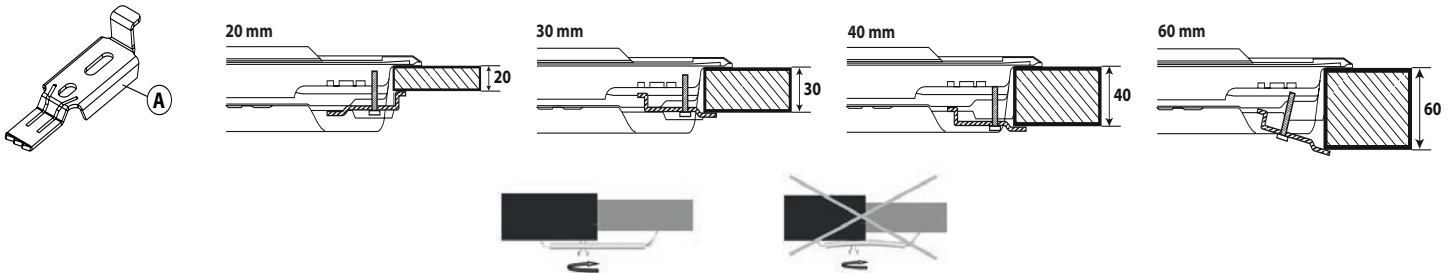
After cleaning the perimeter surface, apply the supplied gasket to the hob as shown in the figure.

Position the hob in the worktop opening made respecting the dimensions indicated in the Instruction.



NOTE: the power supply cable must be long enough to permit its upward extraction.

To secure the hob, use the brackets (A) provided with it. Fit the brackets into the relevant bores shown by the arrow and fasten them by means of their screws in accordance with the thickness of the worktop (see the following figures).

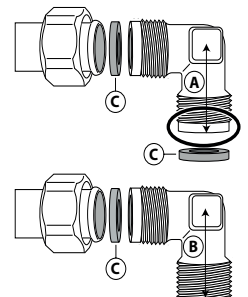


GAS CONNECTION

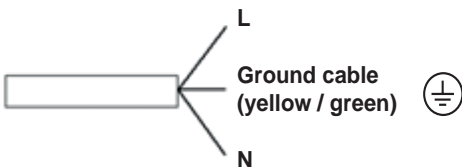
- Connect elbow (A)* or (B)* supplied with to the hob inlet main pipe and interpose the washer (C) supplied, in compliance with EN 549.

* Use elbow (A) for France and elbow (B) for all other destinations.

- After connection to the gas supply, check for leaks with soapy water. Light up the burners and turn the knobs from max. position ☉ to minimum position ● to check flame stability.



ELECTRICAL CONNECTION



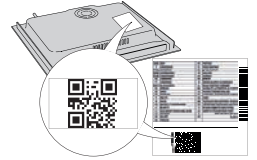

THANK YOU FOR BUYING A INDESIT PRODUCT

In order to receive a more complete assistance, please register your product on www.indesit.com/register.

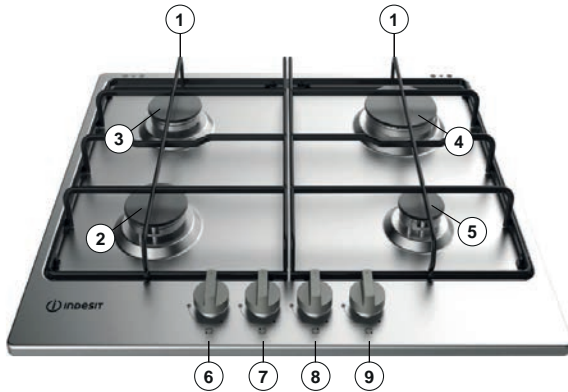






Before using the appliance carefully read the Safety Instruction.

PLEASE SCAN THE QR CODE ON YOUR APPLIANCE IN ORDER TO REACH MORE INFORMATION





PRODUCT DESCRIPTION



1. Removable panstand grids
2. Semi-rapid burner
3. Semi-rapid burner
4. Rapid burner
5. Auxiliary burner
6. Semi-rapid burner control knob 
7. Semi-rapid burner control knob 
8. Rapid burner control knob 
9. Auxiliary burner control knob 

Symbols

- Shaded circle ● Tap closed
- Large flame  Maximum opening/delivery and electric ignition
- Small flame  Minimum opening or reduced delivery

DAILY USE

HOW TO USE THE HOB

 Do not let the burner flame extend beyond the edge of the pan.

IMPORTANT: when the hob is in use, the entire hob area may become hot.

- To ignite one of the burners, turn the relative knob anti-clockwise to the maximum flame setting.
- Press the knob against the control panel to ignite the burner.
- After the burner has ignited, keep the knob pressed for about 5-10 seconds to allow proper device operation.
- This burner safety device shuts off the gas supply to the burner if the flame goes out accidentally (because of sudden draught, an interruption in the gas delivery, boiling over liquids, etc.).
- **The knob must not be pressed for more than 15 sec. If, after that time has elapsed, the burner does not remain lit, wait at least one minute before trying to light it again.**

NOTE: should particular local conditions of the delivered gas make the ignition of burner difficult, it is advisable to repeat the operation with the knob turned to the small flame setting.

The burner might go out when the knob is released. This means that the safety device has not warmed up enough. In this case, repeat the operations described above.

If the burner flame is accidentally extinguished, switch off the burner control and do not try to ignite for at least 1 minute.

PRACTICAL ADVICE FOR USING THE BURNERS

This hob has burners of different diameters. For better burner performance, please stick to the following rules:

- use pots and pans with bottoms the same width as that of the burners or slightly larger (see table on the right);
- only use flat-bottomed pots and pans;
- use the correct amount of water for cooking foods and keep the pot covered;
- make sure pots on the grates do not protrude beyond the edge of the hob;
- In the case of pans with convex bottoms (WOK), use the support grille (not provided), which should be positioned only on the multi-ring burner;
- avoid accidentally knocking the hob with pans, racks or other kitchen utensils;
- do not leave empty steak grills over the lit burner for longer than 5 minutes.

IMPORTANT: improper use of the grids can damage the hob: do not position the grids upside down or slide them across the hob.

BURNER	POT Ø
Rapid	From 24 to 26 cm
Semi-rapid	From 16 to 22 cm
Auxiliary	From 8 to 14 cm

Do not use:

- cast iron griddles, ollar stones, terracotta pots and pans;
- heat diffusers such as metal mesh, or any other types;
- two burners simultaneously for one receptacle (e.g. fish kettle).

ADAPTING TO DIFFERENT TYPES OF GAS

 This operation must be performed by a qualified technician.

If the appliance is intended to operate with a different gas from the gas type stated on the rating plate and information label on the top of the hob, change the injectors.

Remove the information label and keep it with the instructions booklet.

Use pressure regulators suitable for the gas pressure indicated in the Instruction:

- the gas injector must be changed by After Sales Service or a qualified technician;
- injector not supplied with the appliance must be ordered from After Sales Service;
- adjust the minimum setting of the taps.

NOTE: when liquid petroleum gas is used (G30/G31), the minimum gas setting screw must be tightened as far as it will go.

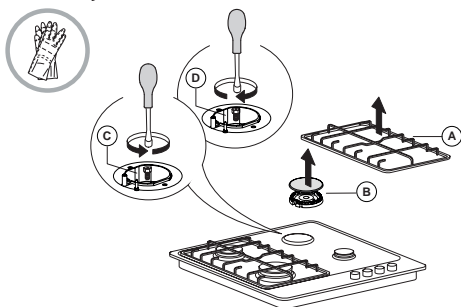
IMPORTANT: should you experience difficulty in turning the burners knobs, please contact the After Sales Service for the replacement of the burner tap if found to be faulty.

IMPORTANT: when gas cylinder is adopted, the gas cylinder or gas container must be properly settled (vertical orientation).

REPLACING THE INJECTORS (see the injector table in the Safety instructions)

⚠ This operation must be performed by a qualified technician.

- Remove grids (A).
- Extract burners (B).
- Using a socket spanner of the appropriate size unscrew the injector (C), to be replaced.
- Replace it with the injector suitable for the new type of gas.
- Re-assemble the injector in (D).



Before installing the hob, remember to affix the gas calibration plate supplied with the injectors in such a way that it covers the existing information relating to gas calibration.

CLEANING AND MAINTENANCE

⚠ Disconnect the appliance from the power supply.

CLEANING THE HOB SURFACE

- All the enamelled and glass parts should be cleaned with warm water and a neutral solution.
- Stainless steel surfaces may be stained by calcareous water or aggressive detergents if left in contact for too long. Any food spills (water, sauce, coffee, etc.) should be wiped away before they dry.
- Clean with warm water and neutral detergent, and then dry with a soft cloth or chamois. Remove baked-on dirt with specific cleaners for stainless steel surfaces.

NOTE: clean stainless steel only with soft cloth or sponge.

- Do not use abrasive or corrosive products, chlorine-based cleaners or pan scourers.
- Do not use steam cleaning appliances.
- Do not use flammable products.
- Do not leave acid or alkaline substances, such as vinegar, mustard, salt, sugar or lemon juice on the hob.

TROUBLESHOOTING

If the hob does not operate correctly, before calling the After-Sales Service, refer to the Troubleshooting Guide to determine the problem

1. The burner fails to ignite, or the flame is not even

Check that:

- the gas or electrical supplies are not shut off and especially that the gas supply tap is open;
- the gas cylinder (liquid gas) is not empty;
- the burner openings are not clogged;
- the plug end is not dirty;
- all the burner parts have been positioned correctly;
- there are no draughts near the hob.

2. The burner does not stay lit

Check that:

- when lighting the burner, the knob has been pressed for enough time to activate the protection device;
- the burner openings are not clogged near the thermocouple;
- the end of the safety device is not dirty;
- the minimum gas setting is correct (see relevant paragraph).

ADJUSTING MINIMUM GAS SETTING OF TAPS

⚠ This operation must be performed by a qualified technician.

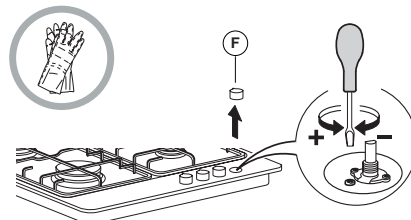
The adjustment must be performed with the tap in minimum gas setting position ● (small flame).

The primary air of the burners does not need to be adjusted.

To ensure that the minimum setting is correctly adjusted, remove the knob (F) and proceed as follows:

- tighten screw to reduce the flame height (-);
- loosen screw to increase the flame height (+).

At this stage, light up the burners and turn the knobs from max. position ☉ to minimum position ● to check flame stability.



Upon completion of adjustment, reseal using sealing wax or an equivalent material.

CLEANING THE HOB PARTS

- Clean glass and enamelled parts only with soft cloth or sponge.
- Grids, burner caps and burners can be removed to be cleaned.
- Clean them by hand with warm water and non-abrasive detergent, removing any food residues and checking that none of the burner openings is clogged.
- Rinse and dry.
- **The cast-iron grates may be cleaned in the dishwasher. Remove any burnt-on food before placing the grates in the lowest rack in the dishwasher.**
- Refit burners and burner caps correctly in the respective housings.
- When replacing the grids, make sure that the panstand area is aligned with the burner.
- Models equipped with electrical ignition plugs and safety device require thorough cleaning of the plug end in order to ensure correct operation. Check these items frequently, and if necessary, clean them with a damp cloth. Any baked-on food should be removed with a toothpick or needle.

NOTE: to avoid damaging the electric ignition device, do not use it when the burners are not in their housing.

3. The containers are not stable

Check that:

- the bottom of the container is perfectly flat;
- the container is centred on the burner;
- the grids have not been exchanged or positioned incorrectly.

If after the above checks the fault still occurs, get in touch with the nearest After Sales Service.

AFTER-SALES SERVICE

In order to receive complete assistance, please register your product on www.indesit.com/register.

BEFORE CALLING THE AFTER-SALES SERVICE:

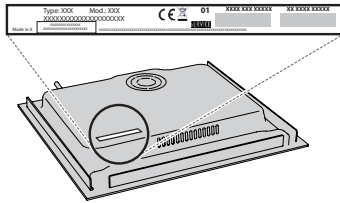
1. See if you can solve the problem by yourself with the help of the **TROUBLESHOOTING** suggestions.
2. Switch the appliance off and back on again to see if the fault persists.

IF AFTER THE ABOVE CHECKS THE FAULT STILL OCCURS, GET IN TOUCH WITH THE NEAREST AFTER-SALES SERVICE.

To receive assistance, call the number shown on the warranty booklet or follow the website's instructions on www.indesit.com.

When contacting our Client After-sales service, always specify:

- a brief description of the fault;
- the type and exact model of the appliance;



- the serial number (number after the word SN on the rating plate located under the appliance). The serial number is also indicated in the documentation;



PRODUCT INFORMATION

Mod. **XXX XXX**

Ind.C. **XXXX XXXX XXXX**

SN: **XXXX XXXX XXXX**

Prod.N. **XXXX XXXX XXXX**

- your full address;
- your telephone number.

If any repairs are required, please contact an authorized after-sales service (to guarantee that original spare parts will be used and repairs carried out correctly).

Policies, standard documentation and additional product information can be found by:

- Using QR code in your appliance;
- Visiting our website docs.indesit.eu;
- Alternatively, **contact our After-sales Service** (See phone number in the warranty booklet). When contacting our After-sales Service, please state the codes provided on your product's identification plate.



CONSIGNES DE SÉCURITÉ

IMPORTANT - À LIRE ET À RESPECTER

⚠ Ces directives s'appliquent si le symbole du pays apparaît sur l'appareil. Si le symbole du pays n'apparaît pas sur l'appareil, vous devez vous référer aux consignes techniques qui contiennent les instructions nécessaires concernant la modification de l'appareil afin de se conformer aux conditions d'utilisation du pays.

⚠ **MISE EN GARDE:** L'utilisation d'appareil de cuisson au gaz génère de la chaleur, de l'humidité, et des produits de la combustion dans la pièce dans laquelle il est installé. Assurez-vous que la cuisine est bien aérée, surtout lorsque vous utilisez l'appareil : gardez les trous de ventilations ouverts ou installez un dispositif de ventilation mécanique (hotte de ventilation). Une utilisation intensive et prolongée peut nécessiter une ventilation supplémentaire, comme ouvrir une fenêtre, ou une ventilation plus efficace, par exemple en augmentant le niveau de ventilation mécanique (si possible).

⚠ Le non-respect des informations du présent manuel peut provoquer un incendie ou une explosion, susceptible de provoquer un dommage aux biens ou des lésions personnelles.

Avant d'utiliser l'appareil, lire attentivement les consignes de sécurité. Conservez-les à portée pour consultation ultérieure.

Le présent manuel et l'appareil lui-même contiennent des consignes de sécurité importantes qui doivent être lues et observées en tout temps. Le Fabricant décline toute responsabilité si les consignes de sécurité ne sont pas respectées, en cas de mauvaise utilisation de l'appareil, ou d'un mauvais réglage des commandes.

⚠ **AVERTISSEMENT:** Ne pas utiliser la table de cuisson si la surface est cassée ou fissurée - risque de choc électrique.

⚠ **AVERTISSEMENT:** Risque d'incendie: Ne rangez aucun objet sur les surfaces de cuisson.

⚠ **ATTENTION:** La cuisson doit être supervisée. Une cuisson de courte durée doit être supervisée en tout temps.

⚠ **AVERTISSEMENT:** Une cuisson sans surveillance sur une table de cuisson contenant de la graisse ou de l'huile peut s'avérer dangereuse - risque d'incendie. N'essayez JAMAIS d'éteindre un feu avec de l'eau, mais éteignez l'appareil puis couvrez les flammes à l'aide d'un couvercle par ex. ou d'une couverture ignifuge.

⚠ Utilisez pas la table de cuisson comme surface de travail ou support. Gardez les vêtements et autres matières inflammables loin de l'appareil jusqu'à ce que toutes les composantes soient complètement refroidies - un incendie pourrait se déclarer.

⚠ Les enfants en bas âge (0-3 ans) doivent être tenus à l'écart de l'appareil. Les jeunes enfants (3-8 ans) doivent être tenus à l'écart de l'appareil sauf s'ils se trouvent sous surveillance constante. Les enfants âgés

de 8 ans et plus, ainsi que les personnes présentant des capacités physiques, sensorielles ou mentales réduites, ou ne possédant ni l'expérience ni les connaissances requises, peuvent utiliser cet appareil seulement s'ils sont supervisés, ou si une personne responsable leur a expliqué l'utilisation sécuritaire et les dangers potentiels de l'appareil. Ne laissez pas les enfants jouer avec l'appareil. Les enfants ne doivent pas nettoyer, ni procéder à l'entretien de l'appareil sans surveillance.

⚠ **MISE EN GARDE:** En cas de rupture du verre de la plaque de cuisson: éteignez immédiatement tous les brûleurs et la résistance électrique, et coupez l'alimentation électrique; veillez à ne pas toucher la surface de l'appareil; veillez à ne pas utiliser l'appareil. Le couvercle en verre peut se casser s'il est surchauffé. Coupez tous les brûleurs et les plaques électriques avant de fermer le couvercle. Ne fermez pas le couvercle lorsqu'un brûleur est allumé.

⚠ **AVERTISSEMENT:** L'appareil, ainsi que ses parties accessibles, peuvent atteindre température élevée lors de l'utilisation. Évitez tout contact avec les éléments chauffants. Les enfants de moins de 8 ans doivent être tenus à l'écart de l'appareil, à moins d'être sous surveillance constante.

⚠ Les aliments ne doivent pas être laissés dans ou sur le produit pendant plus d'une heure avant ou après la cuisson.

USAGE AUTORISÉ

⚠ **MISE EN GARDE:** Cet appareil n'est pas conçu pour fonctionner à l'aide d'un dispositif de commutation externe, comme une minuterie ou un système de télécommande.

⚠ Cet appareil est destiné à un usage domestique et peut aussi être utilisé dans les endroits suivants: cuisines pour le personnel dans les magasins, bureaux et autres environnements de travail ; dans les fermes; par les clients dans les hôtels, motels, chambres d'hôtes, et autres résidences similaires.

⚠ Aucune autre utilisation n'est autorisée (p. ex. pour chauffer des pièces).

⚠ Cet appareil n'est pas conçu pour un usage professionnel. N'utilisez pas l'appareil en extérieur.

⚠ Utilisez des ustensiles de cuisson dont le fond dispose d'un diamètre égal ou légèrement supérieur à celui du foyer (voir le tableau suivant). Vérifiez que les ustensiles de cuisson ne dépassent pas de la table de cuisson.

⚠ Une utilisation inappropriée des grilles peut endommager la table de cuisson: ne positionnez pas les grilles sens dessus dessous ou ne les faites pas glisser sur la table de cuisson.

Ne laissez pas la flamme du brûleur dépasser du bord de la casserole. Si la surface de la plaque de cuisson est en verre, n'utilisez pas les grilles en fonte, des pierres olaires, des casseroles et des poêles en terre cuite. N'utilisez pas: de diffuseurs de chaleur comme des mailles métalliques ou tout autre type; deux brûleurs simultanément pour un seul récipient (par exemple, une poissonnière).

Si des conditions locales spéciales du gaz distribué rendent l'allumage du brûleur difficile, il est conseillé de répéter l'opération en plaçant le bouton sur la position petite flamme.

Avant d'installer une hotte au-dessus de la table de cuisson, veuillez vous référer au manuel d'utilisation de la hotte qui spécifie les distances adéquates. Les pieds de protection en caoutchouc appliqués sur les grilles sont une source de danger potentiel pour les jeunes enfants. Après avoir enlevé les grilles, assurez-vous que tous les pieds sont correctement installés.

INSTALLATION

⚠ Deux personnes minimum sont nécessaires pour déplacer et installer l'appareil - risque de blessure. Utilisez des gants de protection pour le déballage et l'installation de l'appareil - vous risquez de vous couper.

⚠ Les branchements électriques et le raccordement au gaz doivent être réalisés conformément aux réglementations locales.

⚠ L'installation, incluant l'alimentation en eau (selon le modèle), et les connexions électriques, ainsi que les réparations, doivent être exécutées par un technicien qualifié. Ne procédez à aucune réparation ni à aucun remplacement de pièce sur l'appareil autres que ceux spécifiquement indiqués dans le guide d'utilisation. Gardez les enfants à l'écart du site d'installation. Après avoir déballé l'appareil, assurez-vous qu'il n'a pas été endommagé pendant le transport. En cas de problème, contactez votre revendeur ou le Service Après-Vente le plus proche. Une fois installé, gardez le matériel d'emballage (sacs en plastique, parties en polystyrène, etc.) hors de la portée des enfants - ils pourraient s'étouffer. L'appareil ne doit pas être branché à l'alimentation électrique lors de l'installation - vous pourriez vous électrocuter. Au moment de l'installation, assurez-vous que le câble d'alimentation n'est pas endommagé par l'appareil - vous pourriez vous électrocuter. Allumez l'appareil uniquement lorsque l'installation est terminée.

⚠ **AVERTISSEMENT:** Les modifications sur l'appareil et sur les méthodes d'installation sont essentielles pour utiliser l'appareil de façon sécuritaire et correctement dans tous les autres pays.

⚠ Utiliser des régulateurs de pression adéquats pour la pression de gaz indiquée dans les directives.

⚠ La pièce doit être équipée d'un système d'évacuation d'air qui expulse les fumées de combustion.

⚠ La pièce doit aussi permettre une bonne circulation d'air; l'air est nécessaire pour une combustion normale. La circulation d'air doit être au minimum de 2 m³/h par kW de puissance installée.

⚠ Le système de circulation d'air peut prendre l'air directement de l'extérieur en utilisant un tuyau avec une section transversale intérieure d'au moins 100 cm²; l'ouverture ne doit pas pouvoir se bloquer facilement.

⚠ Le système peut aussi obtenir l'air nécessaire de façon indirecte, p. ex. d'une pièce voisine munie de tuyaux pour la circulation d'air comme décrit plus haut. Cependant, ces pièces ne doivent pas être une salle commune, une chambre à coucher, ou une pièce qui présente un danger d'incendie.

⚠ Comme il est plus pesant que l'air, le gaz de pétrole liquéfié reste au niveau du sol. Donc, les pièces

contenant des cylindres de GPL doivent être équipées de bouches de ventilation qui permettent au gaz de s'échapper en cas de fuite. Donc, les cylindres de GPL, plein ou partiellement rempli, doivent être installés ou entreposés dans des pièces ou entrepôts qui se trouvent sous le niveau du sol (cave, etc.). Nous vous conseillons de garder dans la pièce les cylindres utilisés seulement, placés de façon à ne pas être affecté par la chaleur produite par des sources externes (four, foyer, cuisinière) qui pourrait faire monter la température du cylindre au dessus de 50°C.

Si vous éprouvez des problèmes pour tourner les boutons des brûleurs, veuillez contacter le Service Après-vente pour remplacer le bec du brûleur s'il est défectueux.

Les ouvertures utilisées pour la ventilation et la diffusion de la chaleur ne doivent jamais être obstruées.

⚠ Découpez le contour du meuble avant d'y insérer l'appareil, et enlevez soigneusement les copeaux et la sciure de bois.

⚠ Si l'appareil n'est pas installé au-dessus d'un four, un panneau séparateur (non compris) doit être installé dans le compartiment sous l'appareil.

RACCORDEMENT AU GAZ

⚠ **AVERTISSEMENT:** Avant l'installation, assurez-vous que les conditions de distribution locale (nature et pression du gaz) sont compatibles avec les réglages de l'appareil.

⚠ Vérifiez que la pression de l'alimentation de gaz est conforme aux valeurs indiquées dans le tableau "Caractéristiques du brûleur".

⚠ **AVERTISSEMENT:** Les conditions de configuration pour cet appareil sont indiquées sur l'étiquette (ou la plaque signalétique).

⚠ **AVERTISSEMENT:** Cet appareil n'est pas raccordé à un dispositif d'évacuation des fumées. Il doit être installé et connecté conformément aux réglementations en vigueur en matière d'installation. Faire particulièrement attention aux normes d'aération.

⚠ Si les appareils sont branchés à du gaz liquide, la vis de réglage doit être fixée aussi fermement que possible.

⚠ **IMPORTANT:** Si vous utilisez une bouteille de gaz, le cylindre ou le récipient de gaz doit être correctement installée (orientation verticale).

⚠ **AVERTISSEMENT:** Cette opération doit être effectuée par un technicien spécialisé.

⚠ Effectuez le raccordement au gaz à l'aide d'un flexible ou d'un tuyau en métal rigide uniquement.

⚠ Connexion à un tuyau rigide (cuivre ou acier) La connexion au système de gaz doit être effectuée de façon à ne pas placer de contrainte sur l'appareil. Il existe un raccord de tuyau en forme de L réglable sur la rampe d'alimentation de l'appareil et il est installé avec un joint afin d'éviter des fuites. Le joint d'étanchéité doit toujours être remplacé lorsqu'on remplace le raccord de tuyauterie (le joint est fourni avec l'appareil). Le raccord de tuyauterie de l'alimentation de gaz est un raccord cylindrique mâle avec un filament de 1/2.

⚠ Connexion d'un tuyau en acier inoxydable sans joint flexible à une fixation fileté. Le raccord de tuyau d'alimentation de gaz est une fixation mâle cylindrique de gaz fileté de dimension 1/2. Ces tuyaux doivent être installés de façon à ne pas dépasser 2000 mm de longueur lorsqu'ils sont complètement étirés. Une fois le branchement terminé, assurez-vous que le tuyau flexible en métal ne touche pas aux pièces mobiles et qu'il n'est pas écrasé. Utiliser seulement des tuyaux et des joints d'étanchéité conformes à la réglementation nationale.

⚠ **IMPORTANT:** Si vous utilisez un tuyau en acier inoxydable, assurez-vous qu'il ne touche à aucune pièce mobile du meuble (p. ex. un tiroir). Le tuyau doit passer à travers un endroit libre d'obstruction et où il est possible de l'inspecter sur toute sa longueur.

⚠ L'appareil doit être branché à l'alimentation principale ou à un cylindre de gaz conformément à la réglementation nationale. Avant d'effectuer le branchement, assurez-vous que l'appareil est compatible avec l'alimentation de gaz que vous désirez utiliser. Si ce n'est pas le cas, suivez les directives indiquées au paragraphe "Adapter à différents types de gaz".

⚠ Après le raccordement à l'arrivée de gaz, vérifier qu'il n'y ait pas de fuite à l'aide d'eau savonneuse. Allumez les brûleurs et tournez les boutons de la position maximale 1* à la position minimale 2* pour vérifier la stabilité de la flamme.

ADAPTER À DIFFÉRENTS TYPES DE GAZ

(Cette opération doit être effectuée par un technicien spécialisé).

⚠ Afin d'adapter l'appareil à un type de gaz différent de celui pour lequel il a été fabriqué (indiqué sur l'étiquette nominative), suivez les étapes spécifiques indiquées après les schémas d'installation.

AVERTISSEMENTS ÉLECTRIQUES

⚠ **IMPORTANT:** Des informations concernant la consommation actuelle et de tension figurent sur la plaque signalétique.

⚠ Il doit être possible de débrancher l'appareil de l'alimentation électrique en retirant la fiche de la prise de courant si elle est accessible, ou à l'aide d'un interrupteur multipolaire en amont de la prise de courant, conformément aux règles de câblage et l'appareil doit être mis à la terre conformément aux normes de sécurité électrique nationales.

⚠ Une fois l'appareil installé dans son meuble, le câble d'alimentation doit être suffisamment long pour le brancher à l'alimentation électrique principale. Ne tirez pas sur le cordon d'alimentation pour débrancher l'appareil.

⚠ N'utilisez pas de rallonge, de prises multiples ou d'adaptateurs. Une fois l'installation terminée, l'utilisateur ne devra plus pouvoir accéder aux composantes électriques. N'utilisez pas l'appareil si vous êtes mouillé ou si vous êtes pieds nus. N'utilisez pas cet appareil si le câble d'alimentation ou la prise de courant sont endommagés,

si l'appareil ne fonctionne pas correctement, ou s'il a été endommagé ou échappé.

⚠ Si le câble d'alimentation est endommagé, il doit être remplacé par un câble identique provenant du fabricant, d'un représentant du Service Après-vente, ou par toute autre personne qualifiée - vous pourriez vous électrocuter.


NETTOYAGE ET ENTRETIEN

⚠ **AVERTISSEMENT:** Assurez-vous que l'appareil est éteint et débranché du réseau électrique avant d'effectuer l'entretien - vous pourriez vous électrocuter; n'utilisez jamais un appareil de nettoyage à vapeur - risque de choc électrique.

⚠ N'utilisez en aucun cas de produits abrasifs ou corrosifs, de produits chlorés ou de tampons à récurer.

⚠ Pour ne pas endommager le dispositif d'allumage électrique, actionnez-le uniquement lorsque les brûleurs ont été remis en place.


MISE AU REBUT DES MATÉRIAUX D'EMBALLAGE

Les matériaux d'emballage sont entièrement recyclables comme l'indique le symbole de recyclage .

Les différentes parties de l'emballage doivent donc être jetées de manière responsable et en totale conformité avec la réglementation des autorités locales régissant la mise au rebut de déchets.

MISE AU REBUT DES APPAREILS ÉLECTROMÉNAGERS

Cet appareil est fabriqué avec des matériaux recyclables ou pouvant être réutilisés. Mettez-le au rebut en vous conformant aux réglementations locales en matière d'élimination des déchets. Pour toute information supplémentaire sur le traitement et le recyclage des appareils électroménagers, contactez le service local compétent, le service de collecte des déchets ménagers ou le magasin où vous avez acheté l'appareil. Cet appareil est marqué comme étant conforme à la Directive européenne 2012/19/EU, aux réglementations relatives aux Déchets d'équipement électrique et électronique (DEEE) et relatives aux Déchets d'équipement électrique et électronique de 2013 (tels qu'amendés). En vous assurant que l'appareil est mis au rebut correctement, vous pouvez aider à éviter d'éventuelles conséquences négatives sur l'environnement et la santé humaine.

Ce symbole  sur le produit ou sur la documentation qui l'accompagne indique qu'il ne doit pas être traité comme un déchet domestique, mais doit être remis à un centre de collecte spécialisé pour le recyclage des appareils électriques et électroniques.



CONSEILS RELATIFS À L'ÉCONOMIE D'ÉNERGIE

Utilisez des ustensiles de cuisson d'un diamètre égal à celui de la zone de cuisson.

Utilisez exclusivement des ustensiles de cuisson à fond plat.

Lorsque cela est possible, couvrez les casseroles avec un couvercle pendant la cuisson.

Utilisez un autocuiseur pour économiser encore plus d'énergie et de temps.

DÉCLARATION DE CONFORMITÉ

Cet appareil respecte les conditions requises d'écoconception de la Réglementation européenne 66/2014 et des Réglementations en matière d'écoconception pour les produits liés à l'énergie et les informations énergétiques (Amendement) (Sortie de l'UE) 2019, conformément à la norme européenne EN 30-2-1.

Les informations relatives au mode basse consommation de l'appareil conformément au Règlement (UE) 2023/826 sont disponibles sur le lien suivant : <https://docs.emeaappliance-docs.eu>.

CARACTÉRISTIQUES DU BRÛLEUR
CATÉGORIE I12E+3+

Type de gaz utilisé	Type de brûleur	Marque de l'injecteur	Puissance thermique nominale kW	Consommation nominale	Puissance thermique réduite kW	Pression du gaz mbar		
						min.	nom.	max.
GAZ NATUREL (Méthane) G20	Rapide (R)	115 Y	3,00	286 l/h	0,75	17	20	25
	Semi-rapide (SR)	95 Z	1,65	157 l/h	0,40			
	Auxiliaire (AUX)	72 X	1,00	95 l/h	0,40			
GAZ DE PÉTROLE LIQUÉFIÉ (Butane) G30	Rapide (R)	85	3,00	218 g/h	0,75	20	28-30	35
	Semi-rapide (SR)	63	1,65	120 g/h	0,40			
	Auxiliaire (AUX)	50	1,00	73 g/h	0,40			
GAZ DE PÉTROLE LIQUÉFIÉ (Propane) G31	Rapide (R)	85	3,00	214 g/h	0,75	25	37	45
	Semi-rapide (SR)	63	1,65	118 g/h	0,40			
	Auxiliaire (AUX)	50	1,00	71 g/h	0,40			

Type de gaz utilisé	Configuration du modèle 4 BRÛLEURS	Puissance thermique nominale (kW)	Consommation totale nominale	Air nécessaire (m ³) à la combustion de 1 m ³ de gaz
G20 20 mbar	1R - 2SR - 1AUX	7,30	695 l/h	9,52
G30 28-30 mbar	1R - 2SR - 1AUX	7,30	531 g/h	30,94
G31 37 mbar	1R - 2SR - 1AUX	7,30	521 g/h	23,80

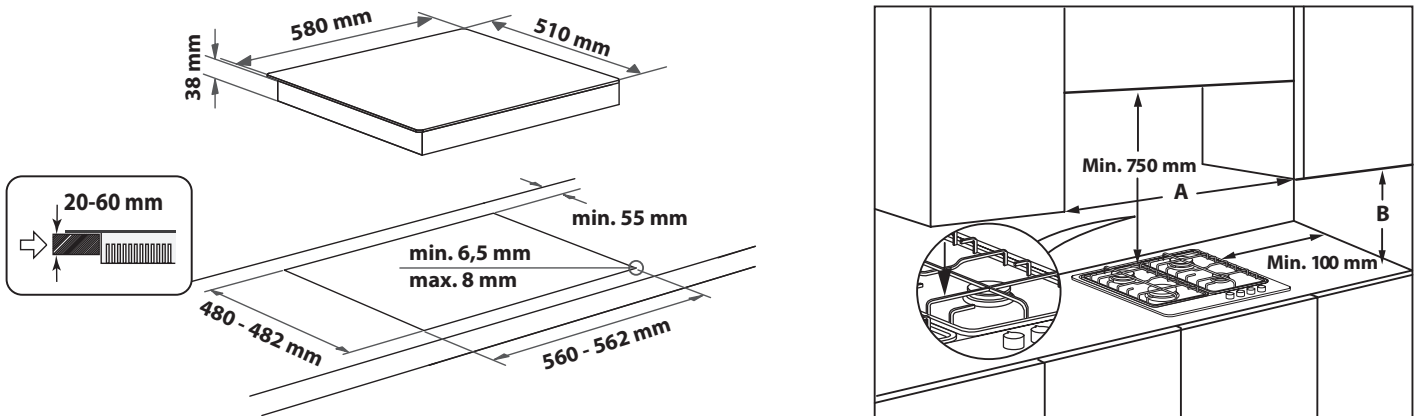
ALIMENTATION ÉLECTRIQUE: 220-240 V ~ 50-60 Hz - 0,6 W


INSTALLATION (CLASSE 3)

INFORMATIONS TECHNIQUES POUR L'INSTALLATEUR

- Utilisez des gants de protection pour manipuler, préparer et installer le produit.
- La table de cuisson peut être encastrée dans un plan de travail de 20 ÷ 60 mm d'épaisseur.
- Si vous n'installez pas de four sous la table de cuisson, placez un panneau de séparation de dimension au moins égale à celle de la découpe pratiquée dans le plan de travail. Ce panneau doit être installé à 150 mm maximum en dessous de la surface supérieure du plan de travail, mais en aucun cas à moins de 20 mm de la partie inférieure de la table de cuisson. Si vous avez l'intention d'installer un four sous la table de cuisson, assurez-vous qu'il est doté d'un système de refroidissement.

DIMENSIONS ET DISTANCES A RESPECTER



REMARQUE: si la distance "A" entre les éléments muraux est de 600mm à 730 mm, la hauteur "B" doit être au minimum de 530mm. Si la distance "A" entre les éléments muraux est supérieure à la largeur de la table de cuisson, la hauteur "B" doit être au minimum de 400 mm. Avant d'installer une hotte au-dessus de la table de cuisson, veuillez vous référer au manuel d'utilisation de la hotte qui spécifie les distances adéquates.

ASSEMBLAGE

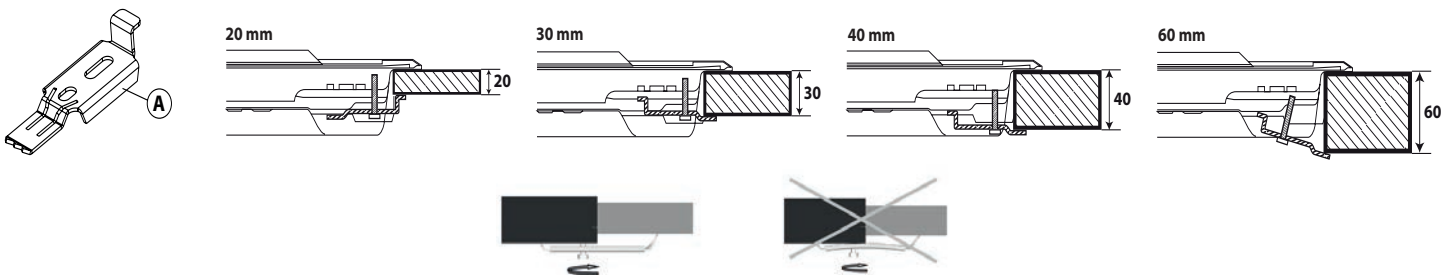
Après avoir nettoyé le pourtour de la table de cuisson, appliquez le joint fourni comme illustré sur la figure.

Installez la table de cuisson dans l'ouverture du plan de cuisson dont les dimensions correspondent à celles figurant dans le mode d'emploi.



REMARQUE: le cordon d'alimentation doit être suffisamment long pour permettre son extraction par le haut.

Pour fixer la table de cuisson, utilisez les attaches (A) fournies. Introduisez les attaches dans les orifices prévus à cet effet (indiqués par la flèche) et fixez-les à l'aide des vis en fonction de l'épaisseur de la table de cuisson (voir figures suivantes).

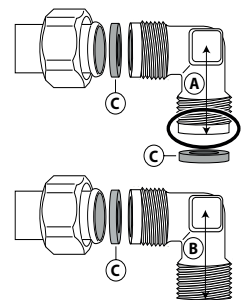


RACCORDEMENT AU GAZ

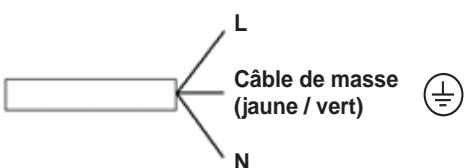
- Raccordez le coude (A)* ou (B)* fourni au tuyau principal d'alimentation de la table de cuisson et installez la rondelle (C) fournie, conformément à la norme EN 549.

* Utilisez le coude (A) pour la France et le coude (B) pour tous les autres pays.

- Une fois le tuyau de gaz raccordé, vérifiez l'absence de fuites à l'aide d'eau savonneuse. Allumez les brûleurs et tournez les boutons de la position maximale ☉ à la position minimale ● pour vérifier la stabilité de la flamme.



BRANCHEMENT ÉLECTRIQUE




MERCI D'AVOIR CHOISI UN PRODUIT INDESIT

Afin de profiter d'une assistance plus complète, veuillez enregistrer votre produit sur www.indesit.com/register.

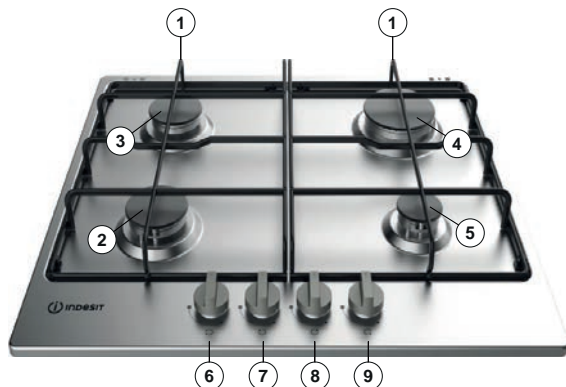


Lisez attentivement les consignes de sécurité avant d'utiliser l'appareil.

VEUILLEZ SCANNER LE QR CODE SUR VOTRE APPAREIL POUR OBTENIR PLUS D'INFORMATIONS



DESCRIPTION DU PRODUIT



1. Grilles amovibles
2. Brûleur Semi-Rapide
3. Brûleur Semi-Rapide
4. Brûleur Rapide
5. Brûleur Auxiliaire
6. Bouton de commande du brûleur Semi-Rapide
7. Bouton de commande du brûleur Semi-Rapide
8. Bouton de commande du brûleur Rapide
9. Bouton de commande du brûleur Auxiliaire

Symboles

- Cercle ombré ● Robinet fermé
- Grande flamme ☉ Ouverture/débit max., et allumage électrique
- Petite flamme ● Ouverture min./débit réduit

USAGE QUOTIDIEN

MODE D'EMPLOI DE LA TABLE DE CUISSON

⚠ Ne laissez pas la flamme du brûleur dépasser du bord de la casserole.

IMPORTANT: lorsque la table de cuisson est utilisée, elle peut être chaude dans son intégralité.

- Pour allumer un des brûleurs, tournez le bouton correspondant dans le sens inverse des aiguilles d'une montre jusqu'à la position de flamme maximale.
- Appuyez sur le bouton du bandeau de commande et maintenez-le dans cette position jusqu'à ce que le brûleur s'allume.
- Dès que le brûleur est allumé, maintenez le bouton enfoncé pendant 5 à 10 secondes environ pour permettre le fonctionnement correct du dispositif.
- Ce dispositif de sécurité du brûleur permet de couper l'arrivée du gaz en cas d'extinction inopinée de la flamme (suite à un courant d'air, une absence momentanée de gaz, un débordement de liquides, etc.).
- **Ne maintenez pas le bouton enfoncé plus de 15 secondes. Si, une fois ce temps écoulé, le brûleur ne reste pas allumé, attendez au moins une minute avant de répéter l'opération.**

REMARQUE: si des conditions locales spéciales du gaz distribué rendent l'allumage du brûleur difficile, il est conseillé de répéter l'opération en plaçant le bouton sur la position petite flamme.

Il se peut que le brûleur s'éteigne lorsque vous relâchez le bouton. Cela signifie que le dispositif de sécurité n'a pas chauffé suffisamment. Dans un tel cas, veuillez répéter les opérations décrites ci-dessus.

En cas d'extinction accidentelle des flammes du brûleur, tournez la manette jusqu'à l'arrêt et attendez au moins 1 minute avant de tenter de rallumer.

CONSEILS PRATIQUES POUR UTILISER LES BRÛLEURS

Cette table de cuisson est équipée de brûleurs de différents diamètres. Pour obtenir une meilleure performance des brûleurs, veuillez respecter les consignes suivantes:

- utilisez des ustensiles de cuisson d'un diamètre égal ou légèrement supérieur à celui du foyer (voir le tableau de droite);
- utilisez exclusivement des ustensiles de cuisson à fond plat;
- cuisez les aliments dans une quantité d'eau adaptée aux besoins et laissez le couvercle sur la casserole;
- vérifiez que les ustensiles de cuisson ne dépassent pas de la table de cuisson;
- pour les ustensiles de cuisson à fond convexe (WOK), utilisez la grille de support (non fournie), et placez-la uniquement sur le brûleur à plusieurs couronnes.
- éviter les heurts accidentels avec casseroles, grilles ou autres ustensiles de cuisine;
- ne pas utiliser de casseroles ou de faitouts à cheval sur deux brûleurs ou plus.

IMPORTANT: une utilisation inappropriée des grilles peut endommager la table de cuisson; ne positionnez pas les grilles sens dessus dessous ou ne les faites pas glisser sur la table de cuisson.

BRÛLEUR	Ø D'USTENSILE DE CUISSON
Rapide	De 24 à 26 cm
Semi-rapide	De 16 à 22 cm
Auxiliaire	De 8 à 14 cm

N'utilisez pas:

- de plaques en fonte, de pierres ollaires, d'ustensiles de cuisson en terre cuite;
- de diffuseurs de chaleur comme des mailles métalliques ou tout autre type;
- deux brûleurs simultanément pour un seul récipient (par exemple, une poissonnière).

ADAPTATION A DIFFÉRENTS TYPES DE GAZ

⚠ Cette opération doit être réalisée par un technicien qualifié.

Si votre appareil est conçu pour fonctionner avec un type de gaz différent de celui indiqué sur l'étiquette signalétique et sur l'étiquette d'information appliquée sur le dessus de la table de cuisson, remplacez les injecteurs. Retirez l'étiquette d'information et conservez-la avec le mode d'emploi.

Utilisez des détendeurs compatibles avec la pression du gaz indiquée dans le mode d'emploi:

- l'injecteur de gaz doit être remplacé par le Service Après-vente ou par un technicien qualifié;
- si l'injecteur n'est pas livré avec l'appareil, commandez-le auprès du Service Après-vente;
- réglez les robinets sur le minimum.

REMARQUE: si vous utilisez du gaz de pétrole liquéfié (G30/G31), la vis de réglage du débit minimal de gaz doit être serrée à fond.

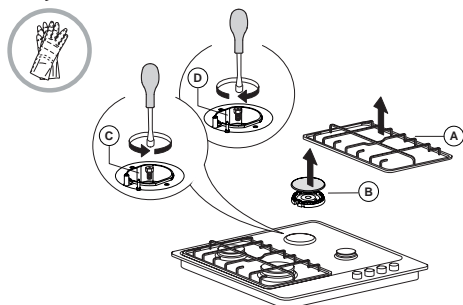
IMPORTANT: si les boutons de commande des brûleurs tournent difficilement, contactez le Service Après-vente pour le remplacement du robinet du brûleur si celui-ci est défectueux.

IMPORTANT: si vous utilisez une bouteille de gaz, veillez à ce qu'elle soit correctement installée (orientation verticale).

REPLACEMENT DES INJECTEURS (voir le tableau des injecteurs dans le Consignes de sécurité)

⚠ Cette opération doit être réalisée par un technicien qualifié.

- Retirez les grilles (A).
- Retirez les brûleurs (B).
- Utilisez une clef à douille de taille appropriée et dévissez l'injecteur (C) à remplacer.
- Remplacez-le par l'injecteur compatible avec le nouveau type de gaz.
- Remontez l'injecteur en (D).



Avant d'installer la table de cuisson, n'oubliez pas de coller l'étiquette fournie avec les injecteurs contenant les informations correspondant au gaz utilisé.

NETTOYAGE ET ENTRETIEN

⚠ Débranchez l'appareil avant de procéder à son entretien.

NETTOYAGE DE LA SURFACE DE LA TABLE DE CUISSON

- Nettoyez les parties émaillées et en verre à l'eau chaude en utilisant un peu de détergent neutre.
- Si les surfaces en acier inoxydable restent trop longtemps en contact avec de l'eau calcaire ou des détergents corrosifs, des taches risquent de se former. Éliminez tout débordement de liquide (eau, sauce, café, etc.) avant qu'il ne sèche.
- Nettoyez à l'eau chaude en utilisant un détergent neutre, puis essuyez à l'aide d'un chiffon doux ou d'une peau de chamois. Éliminez les résidus carbonisés à l'aide d'un produit de nettoyage spécial pour surfaces en acier inoxydable.

REMARQUE: nettoyez l'inox uniquement avec un chiffon doux ou une éponge.

- N'utilisez en aucun cas de produits abrasifs ou corrosifs, de produits chlorés ou de tampons à recurer.
- N'utilisez pas d'appareils de nettoyage à la vapeur.
- N'utilisez pas de produits inflammables.
- Essuyez immédiatement les substances acides ou alcalines, telles que vinaigre, moutarde, sel, sucre ou jus de citron, qui se sont déposées sur la table de cuisson.

GUIDE DE DÉPANNAGE

En cas de mauvais fonctionnement de la table de cuisson, avant de contacter le Service Après-vente, consultez le chapitre Diagnostic des pannes afin d'identifier le problème.

1. Le brûleur ne s'allume pas ou la flamme est irrégulière

Vérifiez que:

- l'alimentation du gaz ou l'alimentation électrique n'est pas coupée et, en particulier, que le robinet d'arrivée du gaz est ouvert;
- la bouteille de gaz (gaz liquide) n'est pas vide;
- les ouvertures des brûleurs ne sont pas obstruées;
- l'extrémité de la bougie n'est pas encrassée;
- tous les éléments des brûleurs sont positionnés correctement;
- Il n'y a pas de courant d'air à proximité de la table de cuisson.

2. Le brûleur ne reste pas allumé

Vérifiez que:

- lors de l'allumage du brûleur, le bouton est maintenu enfoncé pendant un laps de temps suffisant pour permettre au dispositif de protection de s'enclencher;
- les ouvertures du brûleur ne sont pas obstruées à proximité du thermocouple;
- l'extrémité du dispositif de sécurité n'est pas encrassée;
- le réglage du débit minimal de gaz est correct (voir paragraphe correspondant).

RÉGLAGE DES ROBINETS SUR LE MINIMUM

⚠ Cette opération doit être réalisée par un technicien qualifié.

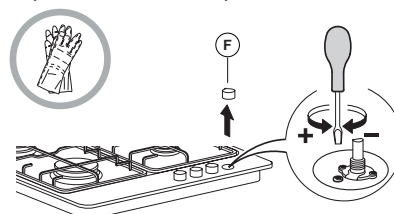
Le réglage doit être effectué avec le robinet sur le minimum ● (petite flamme).

L'air primaire des brûleurs ne doit pas être réglé.

Pour vous assurer que le réglage minimal est correctement réglé, retirez le bouton (F) et procédez comme suit:

- serrez la vis pour réduire la hauteur de la flamme (-);
- desserrez la vis pour augmenter la hauteur de la flamme (+).

Allumez maintenant les brûleurs et tournez les boutons de la position maximale ☉ vers la position minimale ● pour vérifier la stabilité de la flamme.



Une fois le réglage terminé, refaites le joint en utilisant une cire à cacheter ou un matériau équivalent.

NETTOYAGE DES ELEMENTS DE LA TABLE DE CUISSON

- Nettoyez les parties en verre et émaillées uniquement avec un chiffon doux ou une éponge.
- Les grilles, les chapeaux des brûleurs et les brûleurs peuvent être retirés pour être nettoyés.
- Lavez-les à la main, à l'eau chaude en utilisant un détergent non abrasif. Veillez à éliminer soigneusement tous les résidus d'aliments et assurez-vous qu'aucune des ouvertures des brûleurs n'est obstruée.
- Rincez et séchez.
- **Les grilles en fonte peuvent être nettoyées au lave-vaisselle. Enlevez tous les résidus d'aliments brûlés avant de placer les grilles dans le rack inférieur du lave-vaisselle.**
- Réinstallez les brûleurs et les chapeaux des brûleurs dans leurs logements respectifs.
- Au moment de réinstaller les grilles, assurez-vous que celles-ci sont alignées par rapport au brûleur.
- Sur les modèles équipés de bougies d'allumage électriques et de dispositif de sécurité, veillez à nettoyer soigneusement l'extrémité de la bougie pour garantir son bon fonctionnement. Vérifiez régulièrement l'état de ces éléments et nettoyez-les à l'aide d'un chiffon humide, si nécessaire. Éliminez tout résidu d'aliment à l'aide d'un cure-dent ou d'une aiguille.

REMARQUE: pour ne pas endommager le dispositif d'allumage électrique, actionnez-le uniquement lorsque les brûleurs ont été remis en place.

3. Les ustensiles de cuisson ne sont pas stables

Vérifiez que:

- le fond des ustensiles de cuisson est parfaitement plat;
- l'ustensile de cuisson est correctement centré sur le brûleur;
- les grilles n'ont pas été inversées ou mises en place de façon incorrecte.

Si le problème persiste après ces vérifications, contactez votre Service Après-vente le plus proche.

Afin de profiter d'une assistance complète, veuillez enregistrer votre appareil sur www.indesit.com/register.

AVANT D'APPELER LE SERVICE APRÈS-VENTE:

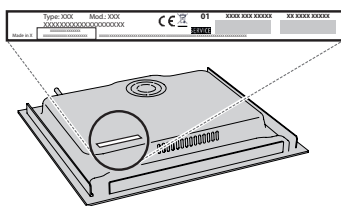
1. Vérifiez en premier lieu si vous pouvez remédier au problème à l'aide des suggestions de la section **GUIDE DE DÉPANNAGE**.
2. Éteignez puis rallumez l'appareil pour voir si le problème persiste.

SI LE PROBLÈME PERSISTE TOUJOURS APRÈS LES VÉRIFICATIONS PRÉCÉDENTES, CONTACTER LE SERVICE APRÈS-VENTE LE PLUS PRÈS.

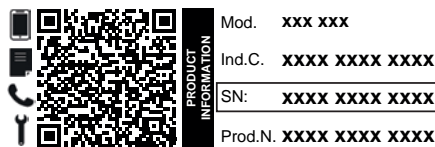
Pour obtenir du support, appeler le numéro disponible dans le livret de garantie ou suivez les consignes sur le site Web www.indesit.com.

Lorsque vous contactez notre Service Après-vente, toujours préciser:

- une brève description du problème;
- le type et le modèle exact de l'appareil;



- le numéro de série (le numéro après le mot «SN» sur la plaque signalétique située sous l'appareil). Le numéro de série est également disponible dans la documentation;



- votre adresse complète ;
- votre numéro de téléphone.

Si des réparations sont nécessaire, contactez un service après-vente agréé (vous aurez ainsi la garantie que les pièces défectueuses seront remplacées par des pièces d'origine et que la réparation de votre appareil sera effectuée correctement).



Vous trouverez les politiques, la documentation standard et des informations supplémentaires sur le produit :

- En utilisant le QR Code dans votre appareil;
- En visitant notre site Internet docs.indesit.eu;
- Vous pouvez également **contacter notre service après-vente** (voir numéro de téléphone dans le livret de garantie). Lorsque vous contactez notre Service après-vente, veuillez indiquer les codes figurant sur la plaque signalétique de l'appareil.



NORME DI SICUREZZA

⚠ Queste istruzioni sono valide se sull'apparecchio è riportato il simbolo del paese. Se il simbolo del paese non è presente sull'apparecchio occorre fare riferimento alle istruzioni tecniche, che contengono le istruzioni necessarie per la modifica dell'apparecchio secondo le condizioni d'uso del paese.

⚠ **ATTENZIONE:** l'uso di apparecchi di cottura a gas causa la produzione di calore, umidità e prodotti di combustione nel locale di installazione. La cucina deve essere ben ventilata, soprattutto durante l'uso dell'apparecchio: tenere aperti i canali di ventilazione naturali o installare un dispositivo di ventilazione meccanica (una cappa di estrazione meccanica). Un uso intensivo e prolungato dell'apparecchio può richiedere una ventilazione supplementare o più efficace, ad esempio l'apertura di una finestra o, se possibile, l'attivazione a una maggiore velocità di un dispositivo di ventilazione meccanica.

⚠ La mancata osservanza delle informazioni contenute in questo manuale può causare rischi di incendio o esplosione, con conseguenti danni materiali o lesioni personali.

Prima di utilizzare l'apparecchio, leggere le seguenti norme di sicurezza. Conservarle per eventuali consultazioni successive.

Questo manuale e l'apparecchio sono corredati da importanti avvertenze di sicurezza, da leggere e rispettare sempre. Il fabbricante declina qualsiasi responsabilità che derivi dalla mancata osservanza delle presenti istruzioni di sicurezza, da usi impropri dell'apparecchio o da errate impostazioni dei comandi.

⚠ **AVVERTENZA:** Se la superficie del piano cottura è incrinata, non utilizzare l'apparecchio per evitare il rischio di folgorazione.

⚠ **AVVERTENZA:** Pericolo di incendio: non appoggiare oggetti sulle superfici di cottura.

⚠ **ATTENZIONE:** Il processo di cottura deve essere sorvegliato. I processi di cottura brevi richiedono una supervisione continua.

⚠ **AVVERTENZA:** La cottura non sorvegliata su un piano di cottura con grasso e olio può essere pericolosa e generare incendi. Non tentare MAI di spegnere le fiamme con acqua. Al contrario, spegnere l'apparecchio e soffocare le fiamme, ad esempio con un coperchio o una coperta antincendio.

⚠ Non utilizzare il piano di cottura come superficie di lavoro o appoggio. Non avvicinare all'apparecchio stoffe o altri materiali infiammabili fino a che tutti i componenti non si siano completamente raffreddati per evitare il rischio di incendi.

⚠ Tenere l'apparecchio fuori dalla portata dei bambini di età inferiore a 3 anni. Senza la sorveglianza costante di un adulto, tenere l'apparecchio fuori dalla portata dei bambini di età inferiore a 8 anni. I bambini di età superiore agli 8 anni, le persone con ridotte capacità fisiche, sensoriali o mentali e le persone che non abbiano esperienza o conoscenza dell'apparecchio potranno utilizzarlo solo sotto sorveglianza, o quando siano state istruite sull'utilizzo sicuro dell'apparecchio e siano consapevoli dei rischi del suo utilizzo. Vietare ai bambini di giocare con l'apparecchio. La pulizia e la manutenzione ordinaria non devono essere effettuate da bambini senza la supervisione di un adulto.

⚠ **ATTENZIONE:** in caso di rottura del vetro del piano di cottura: spegnere immediatamente tutti i bruciatori e le resistenze elettriche e scollegare l'apparecchio

IMPORTANTE: DA LEGGERE E OSSERVARE

dall'alimentazione, non toccare la superficie dell'apparecchio; non utilizzare l'apparecchio.

Il coperchio di vetro può rompersi se viene riscaldato. Prima di chiudere il coperchio, spegnere tutti i bruciatori e le piastre elettriche. Non chiudere il coperchio se i bruciatori sono accesi.

⚠ **AVVERTENZA:** L'apparecchio e i suoi componenti accessibili possono diventare molto caldi durante l'uso. Fare attenzione a non toccare gli elementi riscaldanti. Tenere lontani i bambini di età inferiore agli 8 anni, a meno che non siano costantemente sorvegliati.

⚠ L'alimento non deve essere lasciato nel o sul prodotto per più di un'ora prima o dopo la cottura.

USO CONSENTITO

⚠ **ATTENZIONE:** l'apparecchio non è destinato ad essere messo in funzione mediante un dispositivo di commutazione esterno, ad esempio un temporizzatore, o attraverso un sistema di comando a distanza separato.

⚠ L'apparecchio è destinato all'uso domestico e ad applicazioni analoghe, quali: aree di cucina per il personale di negozi, uffici e altri contesti lavorativi; agriturismi; camere di hotel, motel, bed & breakfast e altri ambienti residenziali.

⚠ Non sono consentiti altri usi (ad esempio, il riscaldamento di locali).

⚠ Questo apparecchio non è destinato all'uso professionale. Non utilizzare l'apparecchio all'aperto.

⚠ Utilizzare pentole e tegami di diametro pari o leggermente superiore al diametro dei bruciatori (vedere la tabella). Evitare che le pentole, posizionate sulle griglie, fuoriescano dal perimetro del piano di cottura.

⚠ L'uso improprio delle griglie potrebbe danneggiare il piano: evitare di appoggiare le griglie capovolte o di trascinarle sul piano.

Non lasciare che la fiamma del bruciatore si estenda oltre il bordo della pentola.

Se la superficie del piano è in vetro, non utilizzare le bisticchiere in ghisa, le pietre di collare, le pentole e le padelle in terracotta.

Non utilizzare: dissipatori di rete metallica o di altro tipo; due bruciatori simultaneamente per la cottura con un solo recipiente (ad esempio una pesciera).

Qualora particolari condizioni del gas erogato localmente rendessero difficoltosa l'accensione del bruciatore, si consiglia di ripetere l'operazione con la manopola ruotata sulla posizione della fiamma piccola.

In caso di installazione di una cappa sul piano di cottura, fare riferimento alle relative istruzioni per la distanza corretta.

I piedini di protezione in gomma sotto le griglie potrebbero essere ingeriti dai bambini piccoli rappresentando il rischio di soffocamento. Dopo avere rimosso le griglie, controllare che tutti i piedini siano montati correttamente.

INSTALLAZIONE

⚠ Per evitare il rischio di lesioni personali, le operazioni di movimentazione e installazione dell'apparecchio devono essere eseguite da almeno due persone. Per evitare rischi di taglio, durante le operazioni di disimballaggio e installazione utilizzare i guanti protettivi.

⚠ I collegamenti di gas ed elettricità devono essere conformi alle norme locali.

⚠ L'installazione, comprendente anche eventuali raccordi per l'alimentazione idrica e i collegamenti elettrici, e gli interventi di riparazione devono essere eseguiti da personale qualificato. Non riparare o sostituire qualsiasi parte dell'apparecchio se non espressamente richiesto nel manuale d'uso. Tenere i bambini a distanza dal luogo dell'installazione. Dopo aver disimballato l'apparecchio, assicurarsi che non sia stato

danneggiato durante il trasporto. In caso di problemi, contattare il rivenditore o il Servizio Assistenza. A installazione completata, conservare il materiale di imballaggio (parti in plastica, polistirolo, ecc.) fuori della portata dei bambini per evitare potenziali rischi di soffocamento. Prima di procedere all'installazione, scollegare l'apparecchio dalla rete elettrica per non correre il rischio di scosse elettriche. Per evitare il rischio di incendio o di folgorazione, durante l'installazione assicurarsi che l'apparecchio non danneggi il cavo di alimentazione. Attivare l'apparecchio solo dopo avere completato la procedura di installazione.

⚠ **AVVERTENZA:** la modifica dell'apparecchio e del metodo di installazione sono essenziali per il suo utilizzo sicuro e corretto in ogni paese.

⚠ Utilizzare regolatori di pressione idonei alla pressione del gas indicata nelle istruzioni.

⚠ Il locale deve essere provvisto di un sistema di estrazione dell'aria in grado di espellere i fumi prodotti dalla combustione.

⚠ Il locale deve inoltre consentire un'adeguata circolazione dell'aria, in quanto l'aria è necessaria per la normale combustione. Il flusso d'aria non deve essere inferiore a 2 m³/h per ogni kW di potenza installata.

⚠ Il sistema di circolazione può aspirare l'aria direttamente dall'esterno mediante una tubazione con sezione interna non inferiore a 100 cm²; l'apertura non deve essere soggetta ad alcun tipo di ostruzione.

⚠ Il sistema può fornire l'aria necessaria per la combustione anche in modo indiretto, ad esempio da locali adiacenti provvisti di tubazioni di circolazione dell'aria del tipo sopra descritto. Tali locali, tuttavia, non devono essere spazi comuni, camere da letto o stanze che possano presentare rischi d'incendio.

⚠ Il gas di petrolio liquido (GPL) si sposta verso terra perché è più pesante dell'aria. Per questa ragione, i locali che contengano bombole di GPL devono essere provvisti di sfiati che consentano al gas di fuoriuscire in caso di perdite. Le bombole di GPL, anche solo parzialmente piene, non devono essere installate o conservate in locali o aree di deposito situate sotto il piano terreno (cantine, ecc.). È consigliabile tenere nel locale solo la bombola in uso, posizionandola in modo che non sia esposta a fonti di calore esterne (forni, camini, stufe, ecc.) che possano innalzare la temperatura della bombola oltre 50°C.

Se la rotazione delle manopole dei bruciatori dovesse risultare difficoltosa, contattare il Servizio Assistenza, che in caso di rubinetto difettoso provvederà a sostituirlo.

Le aperture utilizzate per la ventilazione e la dispersione del calore non devono mai essere coperte.

⚠ Eseguire tutte le operazioni di taglio del mobile prima di inserire il forno, avendo cura di rimuovere trucioli o residui di segatura.

⚠ Se l'apparecchio non è installato sopra un forno, è necessario installare un pannello divisorio (non in dotazione) nel vano sottostante.

COLLEGAMENTO DEL GAS

⚠ **AVVERTENZA:** Prima dell'installazione, controllare che le condizioni di distribuzione del locale (tipo e pressione del gas) siano compatibili con la configurazione dell'apparecchio.

⚠ Controllare che la pressione del gas dell'impianto sia in linea con i valori riportati nella Tabella "Specifiche di bruciatori e ugelli".

⚠ **AVVERTENZA:** le condizioni di configurazione dell'apparecchio sono riportate sull'etichetta (o sulla targhetta matricola).

⚠ **AVVERTENZA:** questo apparecchio non è collegato a un dispositivo di evacuazione dei prodotti di combustione. l'installazione e l'allacciamento devono essere eseguiti in conformità alle norme vigenti. Prestare particolare attenzione ai requisiti in materia di ventilazione.

⚠ Se l'apparecchio è collegato a un impianto a gas liquido, la vite di regolazione deve essere serrata con la massima forza possibile.

⚠ **IMPORTANTE:** se si utilizza una bombola di gas o è installato un serbatoio di gas, questi devono essere posizionati correttamente (orientamento verticale).

⚠ **AVVERTENZA:** questa operazione deve essere eseguita da un tecnico qualificato.

⚠ Per l'allacciamento del gas, utilizzare solo un tubo di metallo flessibile o rigido.

⚠ Collegamento con tubo rigido (rame o acciaio) Il collegamento all'impianto del gas deve essere eseguito in modo da evitare qualsiasi forma di compressione o di trazione sull'apparecchio. Sulla rampa di alimentazione dell'apparecchio si trova un raccordo a L regolabile, provvisto di una guarnizione di tenuta contro le perdite. La guarnizione deve essere riapplicata dopo ogni rotazione del raccordo (la guarnizione è in dotazione con l'apparecchio). Il raccordo per il tubo di mandata del gas è un attacco maschio cilindrico 1/2 filettato.

⚠ Collegamento di un tubo in acciaio inox flessibile senza saldature a un attacco filettato Il raccordo per il tubo di mandata del gas è un attacco maschio cilindrico 1/2 filettato. Questi tubi devono essere installati in modo che la loro estensione completa non superi i 2000 mm di lunghezza. Una volta eseguito il collegamento, controllare che il tubo in metallo flessibile non entri a contatto con parti mobili e non sia compresso. Usare solo tubi e guarnizioni conformi alle norme nazionali vigenti.

⚠ **IMPORTANTE:** nel caso si utilizzi un tubo in acciaio inox, questo dovrà essere installato in modo da non entrare in contatto con parti mobili (es. cassette). Il tubo deve passare in un'area libera da ingombri e deve essere ispezionabile su tutta la lunghezza.

⚠ L'apparecchio deve essere collegato all'impianto del gas o alla bombola del gas in conformità alle norme nazionali vigenti. Prima di procedere al collegamento, verificare che l'apparecchio sia compatibile con l'impianto di alimentazione del gas che si intende utilizzare. In caso contrario, seguire le istruzioni del paragrafo "Adattamento dell'apparecchio al tipo di gas".

⚠ Dopo il collegamento all'alimentazione del gas, verificare con una soluzione di acqua saponata che non vi siano perdite. Con i bruciatori accesi, ruotare le manopole dalla posizione massima 1* alla posizione minima 2* per verificare la stabilità della fiamma.

ADATTAMENTO DELL'APPARECCHIO AL TIPO DI GAS

(Questa operazione deve essere eseguita da un tecnico qualificato).

⚠ Per adattare l'apparecchio a un tipo di gas diverso da quello per il quale è stato prodotto (indicato sull'etichetta), seguire la procedura riportata dopo i disegni di installazione.

AVVERTENZE ELETTRICHE

⚠ IMPORTANTE: Le informazioni sui consumi di corrente e tensione sono riportate sulla targhetta matricola.

⚠ Il cavo di alimentazione deve essere sufficientemente lungo da consentire il collegamento dell'apparecchio, una volta posizionato nell'ubicazione definitiva, alla presa di corrente. Non tirare il cavo di alimentazione.

⚠ Deve essere possibile scollegare l'apparecchio dalla rete elettrica disinserendo la spina, se questa è accessibile, o tramite un interruttore multipolare installato a monte della presa nel rispetto dei regolamenti elettrici vigenti; inoltre, l'apparecchio deve essere messo a terra in conformità alle norme di sicurezza elettrica nazionali.

⚠ Non utilizzare cavi di prolunga, prese multiple o adattatori. Una volta terminata l'installazione, i componenti elettrici non devono più essere accessibili. Non utilizzare l'apparecchio quando si è bagnati oppure a piedi nudi. Non accendere l'apparecchio se il cavo di alimentazione o la spina sono danneggiati, se si osservano anomalie di funzionamento o se l'apparecchio è caduto o è stato danneggiato.

⚠ Se il cavo di alimentazione è danneggiato, deve essere sostituito con uno dello stesso tipo dal produttore, da un centro di assistenza autorizzato o da un tecnico qualificato per evitare situazioni di pericolo o rischi di scosse elettriche.


PULIZIA E MANUTENZIONE

⚠ AVVERTENZA: Per evitare rischi di folgorazione, prima di qualsiasi intervento di manutenzione accertarsi che l'apparecchio sia spento e scollegato dall'alimentazione elettrica; non usare in nessun caso pulitrici a getto di vapore.

⚠ Non utilizzare prodotti abrasivi o corrosivi, prodotti a base di cloro o pagliette.

⚠ Per evitare danni all'accensione elettrica, non utilizzarla quando i bruciatori non sono nella loro sede.

SMALTIMENTO DEL MATERIALE DI IMBALLAGGIO


Il materiale di imballaggio è riciclabile al 100% ed è contrassegnato dal simbolo del riciclaggio .

Le varie parti dell'imballaggio devono pertanto essere smaltite responsabilmente e in stretta osservanza delle norme stabilite dalle autorità locali.

SMALTIMENTO DEGLI ELETTRODOMESTICI

Questo prodotto è fabbricato con materiale riciclabile o riutilizzabile. Smaltire il prodotto rispettando le normative locali in materia. Per ulteriori informazioni sul trattamento, il recupero e il riciclaggio degli elettrodomestici, contattare l'ufficio locale competente, il servizio di raccolta dei rifiuti domestici o il negozio presso il quale il prodotto è stato acquistato. Questo apparecchio è contrassegnato in conformità alla direttiva europea 2012/19/UE, Rifiuti di apparecchiature elettriche ed elettroniche (RAEE) e alle norme sui rifiuti di apparecchiature elettriche ed elettroniche 2013 (e successive modifiche).

Assicurandosi che questo prodotto sia smaltito in modo corretto, l'utente contribuisce a prevenire le conseguenze negative per l'ambiente e la salute.

Il simbolo  sul prodotto o sulla documentazione di accompagnamento indica che questo apparecchio non deve essere smaltito come rifiuto domestico, bensì conferito presso un centro di raccolta preposto al ritiro delle apparecchiature elettriche ed elettroniche.

CONSIGLI PER IL RISPARMIO ENERGETICO

Utilizzare pentole e tegami con diametro del fondo corrispondente al diametro della zona di cottura.

Utilizzare solo pentole e padelle con fondo piatto.

Se possibile, tenere il coperchio sulle pentole durante la cottura.

Utilizzare la pentola a pressione per ridurre il consumo di energia e il tempo di cottura.

DICHIARAZIONE DI CONFORMITÀ

Questo apparecchio soddisfa i requisiti di Ecodesign del regolamento europeo 66/2014 e l'Ecodesign per i prodotti connessi all'energia e le informazioni sull'energia (emendamento) (Uscita UE) Regolamenti 2019 in conformità con la norma europea EN 30-2-1.

Le informazioni relative alla modalità a basso consumo dell'apparecchio in conformità con il Regolamento (UE) 2023/826 sono disponibili al seguente link: <https://docs.emeaappliance-docs.eu>.

Tipo di gas utilizzato	Tipo di bruciatore	Iniettore	Portata termica nominale kW	Consumo nominale	Potenza termica ridotta kW	Pressione del gas mbar		
						min.	nom.	max.
GAS NATURALE (Metano) G20	Rapido (R)	115 Y	3,00	286 l/h	0,75	17	20	25
	Semi-rapido (SR)	95 Z	1,65	157 l/h	0,40			
	Ausiliario (AUX)	72 X	1,00	95 l/h	0,40			
GAS PETROLIO LIQUIDO (Butano) G30	Rapido (R)	85	3,00	218 g/h	0,75	20	28-30	35
	Semi-rapido (SR)	63	1,65	120 g/h	0,40			
	Ausiliario (AUX)	50	1,00	73 g/h	0,40			
GAS PETROLIO LIQUIDO (Propano) G31	Rapido (R)	85	3,00	214 g/h	0,75	25	37	45
	Semi-rapido (SR)	63	1,65	118 g/h	0,40			
	Ausiliario (AUX)	50	1,00	71 g/h	0,40			

Tipo di gas utilizzato	Configurazione modello 4 BRUCIATORI	Potenza termica nominale (kW)	Consumo totale nominale	Aria necessaria (m ³) per la combustione di 1 m ³ di gas
G20 20 mbar	1R - 2SR - 1AUX	7,30	695 l/h	9,52
G30 28-30 mbar	1R - 2SR - 1AUX	7,30	531 g/h	30,94
G31 37 mbar	1R - 2SR - 1AUX	7,30	521 g/h	23,80

ALIMENTAZIONE ELETTRICA: 220-240 V ~ 50-60 Hz - 0,6 W

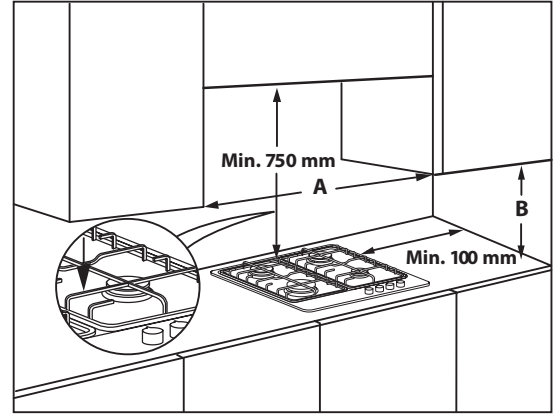
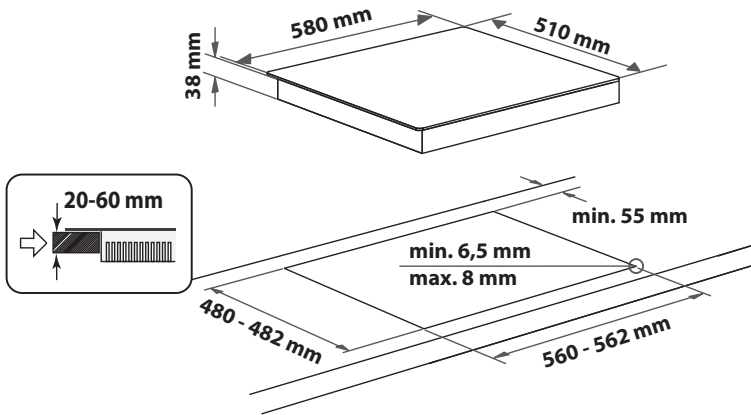


INSTALLAZIONE (CLASSE 3)

INFORMAZIONI TECNICHE PER L'INSTALLATORE

- Utilizzare guanti protettivi per maneggiare, preparare e installare il prodotto.
- Questo prodotto può essere incassato in un top dello spessore di 20 ÷ 60 mm.
- Se sotto il piano di cottura non è previsto un forno, inserire un pannello separatore che abbia una superficie pari almeno all'apertura nel piano di lavoro. Tale pannello deve essere posizionato a una distanza massima di 150 mm dalla superficie superiore del piano di lavoro e in nessun caso inferiore a 20 mm dal fondo del piano di cottura. In caso si intenda installare un forno sotto il piano di cottura, assicurarsi che il forno sia dotato di un sistema di raffreddamento.

DIMENSIONI E DISTANZE DA RISPETTARE



NOTA: se la distanza "A" tra i pensili è compresa tra 600 mm e 730 mm, l'altezza "B" deve essere minimo 530 mm.

Se la distanza "A" tra i pensili è maggiore della larghezza del piano di cottura, l'altezza "B" deve essere minimo 400 mm.

Qualora venga installata una cappa sopra il piano di cottura, fare riferimento alle istruzioni di montaggio della cappa per la distanza da rispettare.

MONTAGGIO

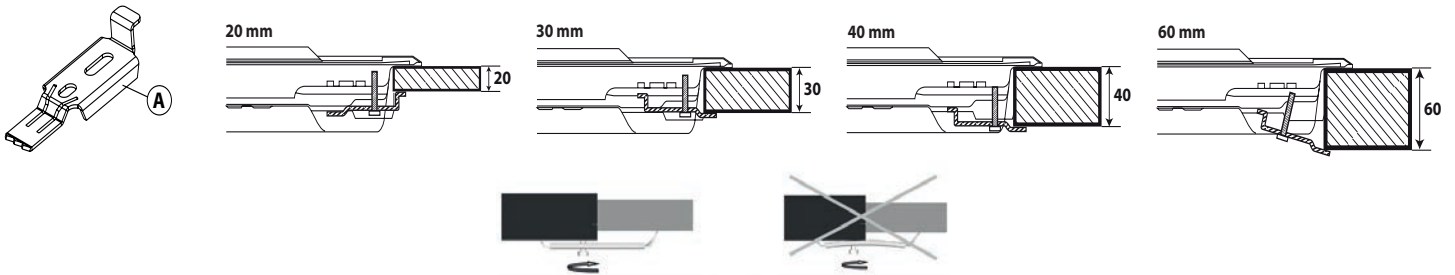
Dopo aver pulito la superficie perimetrale, applicare al piano di cottura la guarnizione in dotazione come mostrato in figura.



Posizionare il piano all'interno dell'apertura praticata secondo le dimensioni indicate nelle istruzioni.

NOTA: il cavo di alimentazione deve essere sufficientemente lungo da permetterne l'estrazione dall'alto.

Per bloccare il piano di cottura, utilizzare le staffe (A) in dotazione. Posizionare le staffe in corrispondenza dei fori evidenziati dalla freccia e fissarle con le apposite viti in modo da adattarle allo spessore del top (vedere le figure seguenti).

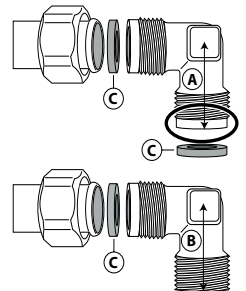


COLLEGAMENTO GAS

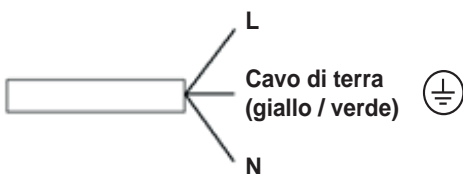
- Collegare il raccordo a gomito (A)* o (B)* fornito insieme al tubo di alimentazione principale del piano di cottura e interporre la guarnizione (C) in dotazione, a norma EN 549.

* Utilizzare il raccordo a gomito (A) per la Francia e il raccordo a gomito (B) per tutti gli altri paesi.

- Dopo il collegamento all'alimentazione del gas, verificare con una soluzione di acqua saponata che non vi siano perdite. Con i bruciatori accesi, ruotare le manopole dalla posizione massima ☉ alla posizione minima ● per verificare la stabilità della fiamma.



CONNESSIONE ELETTRICA



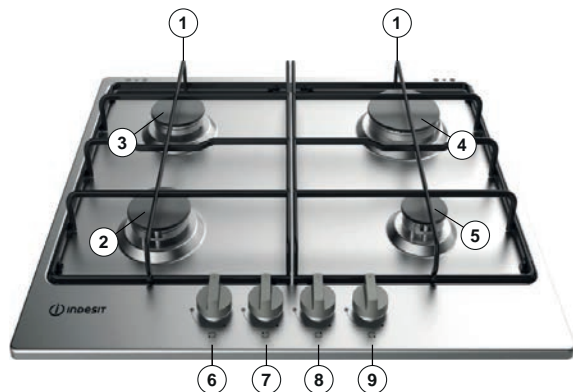
**GRAZIE PER AVERE ACQUISTATO UN PRODOTTO INDESIT**





Per ricevere un'assistenza più completa, registrare il prodotto su www.indesit.com/register.





Prima di utilizzare l'apparecchio leggere attentamente le istruzioni di sicurezza.

SI PREGA DI SCANSIONARE IL CODICE QR SUL PROPRIO APPARECCHIO PER OTTENERE MAGGIORI INFORMAZIONI


**DESCRIZIONE DEL PRODOTTO**

1. Griglie amovibili
2. Bruciatore Semirapido
3. Bruciatore Semirapido
4. Bruciatore Rapido
5. Bruciatore Ausiliario
6. Manopola del bruciatore Semirapido 
7. Manopola del bruciatore Semirapido 
8. Manopola del bruciatore Rapido 
9. Manopola del bruciatore Ausiliario 

Simboli

- Pallino pieno ● Rubinetto chiuso
- Fiamma grande  Massima apertura/erogazione e accensione elettrica
- Fiamma piccola  Minima apertura o erogazione ridotta

USO QUOTIDIANO**UTILIZZO DEL PIANO DI COTTURA**

 Non lasciare che la fiamma del bruciatore si estenda oltre il bordo della pentola.

IMPORTANTE: quando è in funzione, tutta la superficie del piano di cottura potrebbe riscaldarsi.

- Per accendere uno dei bruciatori, ruotare la manopola corrispondente in senso antiorario fino a far coincidere l'indice con il simbolo di fiamma massima.
- Premere la manopola contro la mascherina dei comandi per accendere il bruciatore.
- Una volta acceso il bruciatore, è necessario continuare a tenere premuta la manopola per circa 5-10 secondi per consentire il corretto funzionamento del dispositivo.
- Si tratta di un dispositivo di sicurezza che interrompe la fuoriuscita di gas in caso di spegnimento accidentale della fiamma (dovuto a correnti d'aria, interruzione momentanea dell'alimentazione del gas, traboccamenti di liquidi, ecc.).
- **La manopola non deve essere tenuta premuta per più di 15 secondi. Se, trascorso tale tempo, il bruciatore non rimane acceso, attendere almeno un minuto prima di tentare un'ulteriore accensione.**

NOTA: qualora particolari condizioni del gas erogato localmente rendessero difficoltosa l'accensione del bruciatore, si consiglia di ripetere l'operazione con la manopola ruotata sulla posizione della fiamma piccola.

Può accadere che il bruciatore si spenga al momento del rilascio della manopola. Ciò indica che il dispositivo di sicurezza non si è scaldato a sufficienza. In questo caso, ripetere le operazioni sopra descritte.

Nel caso di una estinzione accidentale delle fiamme del bruciatore, chiudere la manopola di comando e non tentare di accenderlo per almeno 1 minuto.

CONSIGLI PRATICI PER L'USO DEI BRUCIATORI

Questo piano di cottura è dotato di bruciatori con diametri diversi. Al fine di ottenere il massimo rendimento, è utile attenersi alle seguenti regole:

- utilizzare pentole e tegami di diametro pari o leggermente superiore al diametro dei bruciatori (vedere la tabella a destra);
- utilizzare soltanto pentole e tegami con fondi piatti;
- utilizzare la giusta quantità d'acqua per la cottura dei cibi e usare il coperchio;
- evitare che le pentole, posizionate sulle griglie, fuoriescano dal perimetro del piano di cottura;
- nel caso di recipienti con fondo convesso (WOK), utilizzare la griglia di supporto che deve essere posizionata solo sul bruciatore multicorona;
- evitare urti accidentali con pentole, griglie o altri utensili da cucina;
- non lasciare bisteccchiere vuote sul fornello acceso per più di 5 minuti.

IMPORTANTE: l'uso improprio delle griglie potrebbe danneggiare il piano; evitare di appoggiare le griglie capovolte o di trascinarle sul piano.

BRUCIATORE	Ø RECIPIENTI
Rapido	da 24 a 26 cm
Semirapido	da 16 a 22 cm
Ausiliario	da 8 a 14 cm

Non utilizzare:

- bisteccchiere in ghisa, supporti in pietra naturale, tegami o pentole in terracotta;
- dissipatori di rete metallica o di altro tipo;
- due bruciatori simultaneamente per la cottura con un solo recipiente (ad esempio una pesciera).

ADATTAMENTO AI DIVERSI TIPI DI GAS

 Questa operazione deve essere eseguita da un tecnico qualificato.

In caso di utilizzo con un gas diverso da quello indicato sulla targhetta matricola e sull'etichetta informativa posta sulla parte superiore del piano di cottura, è necessario sostituire gli iniettori.

L'etichetta informativa va rimossa e conservata insieme al libretto istruzioni.

Utilizzare regolatori di pressione idonei alla pressione del gas indicata nelle istruzioni:

- per la sostituzione degli iniettori del gas, rivolgersi al servizio assistenza o a un tecnico qualificato;
- gli iniettori non forniti in dotazione devono essere richiesti al servizio assistenza;
- regolare il minimo dei rubinetti.

NOTA: se si utilizza gas di petrolio liquefatto (G30/G31), la vite di regolazione del minimo deve essere avvitata a fondo.

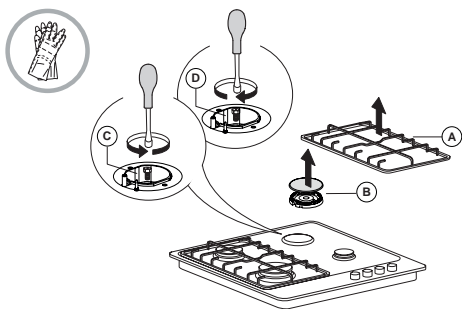
IMPORTANTE: se la rotazione delle manopole dei bruciatori dovesse risultare difficoltosa, contattare il Servizio di assistenza tecnica autorizzato che provvederà alla sostituzione del rubinetto, se difettoso.

IMPORTANTE: se si utilizza la bombola del gas, questa deve essere posizionata correttamente (orientamento verticale).

SOSTITUZIONE DEGLI INIETTORI (per il tipo vedere tabella ugelli nelle Norme di Sicurezza)

⚠ Questa operazione deve essere eseguita da un tecnico qualificato.

- Rimuovere le griglie (A).
- Estrarre i bruciatori (B).
- Con una chiave a tubo della dimensione appropriata, svitare l'iniettore da sostituire (C).
- Sostituirlo con l'iniettore previsto per il nuovo tipo di gas.
- Rimontare l'iniettore in (D).



Prima di installare il piano di cottura, ricordarsi di applicare la targhetta di taratura gas fornita con gli iniettori di ricambio, in modo che copra le informazioni già presenti.

PULIZIA E CURA

⚠ Scollegare l'alimentazione prima di eseguire la manutenzione.

PULIZIA DEL PIANO COTTURA

- Le parti smaltate e in vetro vanno lavate con acqua calda e detersivo neutro.
- L'acqua calcarea o detersivi aggressivi potrebbero lasciare macchie sulle superfici in acciaio inox, se rimangono a contatto troppo a lungo. Eliminare prontamente eventuali residui di cibo (acqua, sugo, caffè, ecc.) prima che si seccino.
- Pulire con acqua calda e detersivo neutro, quindi asciugare con un panno morbido o una pelle di daino. In caso di sporco difficile, usare esclusivamente detersivi indicati per le superfici in acciaio inox.

NOTA: pulire le superfici in acciaio inox solo con un panno morbido o una spugna.

- Non utilizzare prodotti abrasivi o corrosivi, prodotti a base di cloro o pagliette.
- Non utilizzare pulitrici a getto di vapore.
- Non utilizzare prodotti infiammabili.
- Evitare di lasciare sul piano sostanze acide o alcaline come aceto, mostarda, sale, zucchero o succo di limone.

RISOLUZIONE DEI PROBLEMI

Se il piano cottura non funziona correttamente, prima di chiamare l'assistenza esaminare questa guida rapida per individuare il problema.

1. Il bruciatore non si accende o la fiamma non è uniforme

Controllare che:

- non ci siano interruzioni nella rete di alimentazione del gas ed elettrica e, in particolare, che il rubinetto del gas sia aperto;
- la bombola del gas liquido non si sia esaurita;
- le aperture del bruciatore non siano ostruite;
- la parte terminale della candelina non sia sporca;
- tutte le parti che compongono il bruciatore siano posizionate correttamente;
- non ci siano correnti d'aria in prossimità del piano.

2. La fiamma non rimane accesa

Controllare che:

- la manopola sia stata premuta a fondo durante l'accensione del bruciatore per il tempo sufficiente ad attivare il dispositivo di sicurezza;
- le aperture del bruciatore non siano ostruite in corrispondenza della termocoppia;
- la parte terminale del dispositivo di sicurezza non sia sporca;
- la regolazione del minimo sia corretta (vedere il paragrafo corrispondente).

REGOLAZIONE DEL MINIMO DEI BRUCIATORI

⚠ Questa operazione deve essere eseguita da un tecnico qualificato.

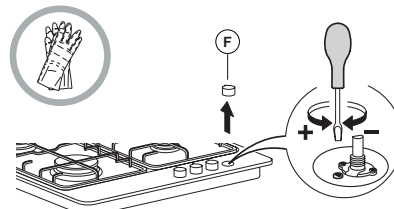
La regolazione deve essere eseguita con il rubinetto nella posizione di minimo ● (fiamma piccola).

Non occorre regolare l'aria primaria dei bruciatori.

Per garantire una corretta regolazione del minimo, rimuovere la manopola (F) e procedere nel modo seguente:

- avvitare la vite per ridurre l'altezza della fiamma (-);
- allentare la vite per aumentare l'altezza della fiamma (+);

Con i bruciatori accesi, ruotare le manopole dalla posizione massima ☉ alla posizione minima ● per verificare la stabilità della fiamma.



Terminata la regolazione, ripristinare i sigilli con ceralacca o materiale equivalente.

PULIZIA DEI COMPONENTI DEL PIANO

- Le griglie, i cappellotti e i bruciatori sono rimovibili per facilitarne la pulizia.
- Lavarli a mano con acqua calda e detersivo non aggressivo avendo cura di eliminare eventuali incrostazioni e controllando che nessuna delle aperture del bruciatore sia otturata.
- Sciacquare e asciugare.
- **Le griglie in ghisa possono essere pulite in lavastoviglie. Rimuovere eventuali residui di cibo bruciato prima di riporre le griglie nel cestello più basso della lavastoviglie.**
- Rimontare correttamente bruciatori e cappellotti nelle rispettive sedi.
- Nel riposizionare le griglie, assicurarsi che la zona di appoggio delle pentole sia allineata con il bruciatore.
- Nei modelli dotati di candeline di accensione elettrica e di termocoppie di sicurezza, occorre procedere a un'accurata pulizia della parte terminale della candelina per assicurarne il buon funzionamento. Controllare questi componenti frequentemente e, se necessario, pulirli con un panno umido. Eventuali residui di cibo secchi vanno rimossi con uno stuzzicadenti o un ago.

NOTA: per evitare danni all'accensione elettrica, non utilizzarla quando i bruciatori non sono nella loro sede.

3. I recipienti sono instabili

Controllare che:

- il fondo del recipiente sia perfettamente piano;
- il recipiente sia centrato sul bruciatore;
- le griglie non siano state invertite o posizionate in modo errato.

Se dopo le suddette verifiche il problema persiste, contattare il Servizio Assistenza più vicino.

SERVIZIO ASSISTENZA

Per ricevere un'assistenza più completa, registrare il prodotto su www.indesit.com/register.

PRIMA DI CHIAMARE IL SERVIZIO ASSISTENZA:

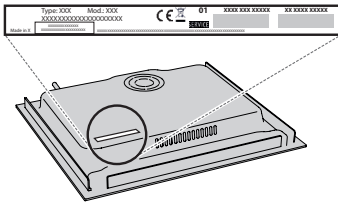
1. Verificare se non sia possibile eliminare da soli i guasti. Vedere "RISOLUZIONE DEI PROBLEMI".
2. Spegnerne e riaccendere l'apparecchio per assicurarsi che l'inconveniente sia stato eliminato.

SE DOPO I SUDETTI CONTROLLI IL PROBLEMA PERSISTE, CONTATTARE IL SERVIZIO ASSISTENZA PIÙ VICINO.

Per ricevere assistenza, chiamare il numero indicato sul libretto di garanzia o seguire le istruzioni sul sito web www.indesit.com.

Quando si contatta il nostro servizio assistenza, indicare sempre:

- una breve descrizione del guasto;
- il tipo e il modello esatti del prodotto;



- il numero di serie (è il numero che si trova dopo la parola SN sulla targhetta matricola posta sotto l'apparecchio). Il numero di serie è indicato anche nella documentazione;



PRODUCT INFORMATION

Mod. **xxx xxx**

Ind.C. **xxxx xxxx xxxx**

SN: **xxxx xxxx xxxx**

Prod.N. **xxxx xxxx xxxx**

- il proprio indirizzo completo;
- il proprio numero di telefono.

Qualora si renda necessaria una riparazione, rivolgersi ad un centro del Servizio Assistenza (a garanzia dell'utilizzo di pezzi di ricambio originali e di una corretta riparazione).

Per le linee guida, la documentazione standard e altre informazioni sui prodotti:

- Utilizzando il codice QR nel proprio apparecchio;
- Visitando il nostro sito web docs.indesit.eu;
- Oppure, **contattare il Servizio Assistenza Tecnica** (al numero di telefono riportato sul libretto di garanzia). Prima di contattare il Servizio Assistenza Clienti, prepararsi a fornire i codici riportati sulla targhetta matricola del prodotto.



INSTRUCCIONES DE SEGURIDAD

ES IMPORTANTE QUE LEA Y SIGA LAS SIGUIENTES RECOMENDACIONES

⚠ Estas instrucciones son válidas si el símbolo del país aparece en el aparato. Si el símbolo no aparece en el aparato, deberá consultar las instrucciones técnicas que le proporcionarán la información necesaria para modificar el aparato y adaptarlo a las condiciones de uso del país.

⚠ **PRECAUCIÓN:** El uso de los aparatos de gas para cocinar produce calor, humedad y productos de la combustión en la habitación en la que está instalado. Asegúrese de que la cocina está bien ventilada, sobre todo cuando se está utilizando el aparato: mantenga los orificios de ventilación natural o instale un dispositivo de ventilación mecánica (campana extractora). El uso intensivo prolongado del aparato puede requerir ventilación adicional, como la apertura de una ventana, o una ventilación más eficaz, aumentando, por ejemplo, el nivel de la ventilación mecánica (si es posible).

⚠ Si no sigue la información de este manual con exactitud, podría provocarse un incendio o una explosión que podría causar daños o lesiones personales.

Antes de usar el aparato, lea atentamente estas instrucciones de seguridad. Téngalas a mano para consultarlas más adelante.

Tanto estas instrucciones como el aparato contienen importantes advertencias de seguridad, que deben respetarse en todo momento. El fabricante declina cualquier responsabilidad derivada del incumplimiento de estas instrucciones de seguridad, del uso indebido del aparato o del ajuste incorrecto de los mandos.

⚠ **ADVERTENCIA:** Si la superficie de la placa está agrietada, no utilice el aparato, hay riesgo de descarga eléctrica.

⚠ **ADVERTENCIA:** Peligro de incendio: No deje ningún objeto sobre las superficies de cocción.

⚠ **PRECAUCIÓN:** El proceso de cocción tiene que ser supervisado. Un proceso de cocción corto tiene que ser supervisado continuamente.

⚠ **ADVERTENCIA:** Cocinar con grasa o aceite en una placa sin vigilancia puede resultar peligroso, hay riesgo de incendio. No intente NUNCA apagar un incendio con agua. Apague el aparato y cubra la llama con, por ejemplo, una tapa o una manta ignífuga.

⚠ No utilice la placa como superficie de trabajo o apoyo. Mantenga los paños y otros materiales inflamables alejados del aparato hasta que todos los componentes se hayan enfriado por completo; hay riesgo de incendio.

⚠ Mantenga a los niños menores de 3 años alejados del aparato. Los niños pequeños (3-8 años) deben mantenerse alejados del aparato, a menos que estén bajo vigilancia constante. Tanto los niños a partir de 8 años como las personas cuyas capacidades físicas, sensoriales o mentales estén disminuidas o que carezcan de la experiencia y conocimientos necesarios pueden utilizar este aparato si reciben la supervisión o las instrucciones necesarias para utilizarlo de forma segura y comprenden los riesgos a los que se exponen. Los niños no deberán jugar con el aparato. Los niños no deben encargarse de la limpieza y el mantenimiento, a menos

que estén supervisados.

⚠ **PRECAUCIÓN:** Si se rompe el cristal de la placa: apague inmediatamente todos los quemadores y resistencias eléctricas y desconecte el suministro eléctrico del aparato; no toque la superficie del aparato; no utilice el aparato.

La tapa de vidrio puede romperse si se calienta. Apague todos los quemadores y las placas eléctricas antes de cerrar la tapa. No cierre la tapa con el quemador encendido.

⚠ **ADVERTENCIA:** El aparato y las partes accesibles se calientan durante el uso. Es necesario prestar atención para no tocar los elementos calefactores. Mantenga alejados a los niños menores de 8 años salvo que sean supervisados continuamente.

⚠ Los alimentos no deben permanecer dentro o sobre el producto más de una hora, ya sea antes o después de la cocción.

USO PERMITIDO

⚠ **PRECAUCIÓN:** el aparato no está destinado a ponerse en funcionamiento por medio de un dispositivo de encendido externo, como un temporizador, o de un sistema de control remoto independiente.

⚠ Este aparato está destinado a un uso en ambientes domésticos o en ambientes similares como: áreas de cocina en oficinas, tiendas y otros; granjas; por los clientes de hoteles, moteles, hostales y otros entornos residenciales.

⚠ No se admite ningún otro uso (p. ej., calentar habitaciones).

⚠ Este aparato no es para uso profesional. No utilice el aparato al aire libre.

⚠ Utilice recipientes cuya base tenga un diámetro igual o ligeramente superior al de los quemadores (consulte la tabla específica). No utilice ollas que sobresalgan por el borde de la placa.

⚠ El uso inadecuado de las parrillas puede dañar la placa: no coloque las parrillas boca abajo ni las arrastre sobre la placa.

No deje que la llama del quemador supere el borde de la sartén.

Si la superficie de la placa es de vidrio, no utilice planchas de hierro colado ni cacerolas u ollas de piedra o barro.

No utilice: Difusores de calor como rejillas metálicas o de otro tipo. Dos quemadores simultáneamente para un recipiente (por ejemplo, un recipiente para pescado).

Si, debido a las condiciones del gas suministrado localmente, es difícil encender el quemador, se aconseja repetir la operación con el mando en la posición del símbolo de la llama pequeña.

Si va a instalar un extractor sobre la superficie de cocción, consulte las instrucciones del extractor para saber cuál es la distancia correcta.

Los asientos protectores de goma situados debajo de las rejillas representan un riesgo y los niños pueden atragantarse en caso de que los traguen. Una vez retiradas las parrillas, asegúrese de que todos los pies estén correctamente montados.

INSTALACIÓN

⚠ La manipulación e instalación del aparato la deben realizar dos o más personas, ya que hay riesgo de lesiones. Utilice guantes de protección para el desembalaje y la instalación, ya que hay riesgo de cortes.

⚠ Las conexiones eléctricas y de gas deben cumplir la normativa local.

⚠ La instalación, incluido el suministro de agua (si lo hay) y las conexiones eléctricas y las reparaciones, deben ser realizadas por un técnico cualificado. No realice reparaciones ni sustituya piezas del aparato a menos que así se indique específicamente

en el manual del usuario. Mantenga a los niños alejados del lugar de instalación. Tras desembalar el aparato, compruebe que no ha sufrido daños durante el transporte. Si observa algún problema, póngase en contacto con el distribuidor o el Servicio Postventa más cercano. Una vez instalado el aparato, mantenga los restos de embalaje (plásticos, piezas de poliestireno extruido, etc.) fuera del alcance de los niños, ya que existe riesgo de asfixia. El aparato debe estar desenchufado de la corriente antes de empezar la instalación, ya que existe riesgo de descarga eléctrica. Cuando realice la instalación, asegúrese de que el aparato no dañe el cable de alimentación, ya que existe riesgo de incendio o de descarga eléctrica. No active el aparato hasta haberlo instalado por completo.

⚠ **ADVERTENCIA:** La modificación del aparato y su método de instalación son esenciales para poder utilizarlo de forma segura y correcta en otros países.

⚠ Utilice reguladores de presión adecuados para las presiones de gas que se indican en las instrucciones de instalación.

⚠ La habitación debe estar equipada con un sistema de extracción de aire que expulse los humos de combustión.

⚠ La habitación también debe permitir una adecuada circulación del aire, ya que para la combustión normal se necesita aire. El caudal de aire no debe ser inferior a 2 m³/h por kW de potencia instalada.

⚠ El sistema de circulación de aire puede tomar el aire directamente del exterior mediante un tubo que tenga una sección transversal interior de al menos 100 cm²; la abertura no debe ser vulnerable a ningún tipo de obstrucción.

⚠ El sistema también puede proporcionar el aire necesario para la combustión indirectamente, por ejemplo, de las habitaciones contiguas equipadas con los tubos de circulación de aire anteriormente descritos. Sin embargo, estas habitaciones no podrán ser salas comunales, dormitorios ni habitaciones ya que pueden presentar un peligro de incendio.

⚠ El gas licuado va hacia el suelo porque es más pesado que el aire. Por lo tanto, las habitaciones donde se encuentren las bombonas de GLP también deberán estar equipadas con rejillas de ventilación para permitir que el gas se escape en caso de fuga. Como resultado, las bombonas de GLP, ya estén parcial o completamente llenas, no deberán instalarse ni almacenarse en lugares que estén por debajo del nivel del suelo (sótanos, etc.). Es aconsejable mantener en la habitación solamente la bombona que se está utilizando, colocada de modo que no esté sometida al calor producido por fuentes externas (hornos, chimeneas, estufas, etc.) que podrían elevar la temperatura de la bombona por encima de los 50°C.

Si tiene dificultades para girar los mandos de los quemadores, póngase en contacto con el Servicio de Asistencia Técnica para que sustituyan las tapas del quemador. Las aberturas utilizadas para la ventilación y la dispersión del calor deben cubrirse.

⚠ Realice todas las tareas de corte del armario antes de instalar el aparato en el alojamiento y retire por completo todas las virutas de madera y el serrín.

⚠ Si el aparato no está instalado encima de un horno, debe instalarse un panel separador (no incluido) en el compartimento debajo del aparato.

CONEXIÓN DEL GAS

⚠ **ADVERTENCIA:** Antes de la instalación, asegúrese de que las condiciones locales de distribución (tipo y presión del gas) y la configuración del aparato sean compatibles.

⚠ Compruebe que la presión del suministro de gas sea conforme a los valores indicados en la Tabla "Especificaciones de los quemadores".

⚠ **ADVERTENCIA:** Las condiciones de configuración de este aparato se indican en la etiqueta (o placa de datos).

⚠ **ADVERTENCIA:** Este aparato no está conectado a un dispositivo de evacuación de humos. Debe estar instalado y conectado de acuerdo con la legislación vigente. Deben tenerse en cuenta los requisitos de ventilación.

⚠ Si los aparatos están conectados al gas licuado, el tornillo de regulación debe apretarse lo más fuerte posible.

⚠ **IMPORTANTE:** Si se instala una bombona de gas o un recipiente de gas, se deberá colocar correctamente (orientación vertical).

⚠ **ADVERTENCIA:** Esta operación debe realizarla un técnico cualificado.

⚠ Para las conexiones de gas, use solo tuberías flexibles o rígidas de metal.

⚠ **Conexión con un tubo rígido (cobre o acero)** La conexión a la instalación de gas debe realizarse de manera que no suponga ningún esfuerzo en el aparato. Hay un empalme en forma de L en la rampa de alimentación del aparato y está provisto de una junta estanca para evitar fugas. La junta estanca deberá sustituirse siempre después de girar el empalme del tubo (la junta se incluye con el aparato). El tubo de suministro de gas se conecta mediante un acoplamiento cilíndrico roscado de 1/2.

⚠ **Conexión de un tubo de acero inoxidable flexible sin junta a un acoplamiento roscado** El tubo de suministro de gas se conecta mediante un acoplamiento cilíndrico roscado de 1/2. Estos tubos deben instalarse de manera que nunca tengan más de 2000 mm cuando estén completamente extendidos. Cuando la conexión esté realizada, asegúrese de que el tubo metálico flexible no toque ninguna pieza móvil y no esté comprimido. Utilice únicamente tubos y sellos conformes con las normas nacionales en vigor.

⚠ **IMPORTANTE:** Si se utiliza un tubo flexible de acero inoxidable, debe instalarse de modo que no toque las partes móviles del mueble (p. ej. el cajón). Debe pasar por una zona sin obstrucciones y en la que sea posible inspeccionarlo en toda su longitud.

⚠ El aparato debe ser conectado al suministro principal de gas o a la bombona de gas de conformidad con las normativas nacionales vigentes. Antes de realizar la conexión, asegúrese de que el aparato sea compatible con el suministro de gas que desea utilizar. De lo contrario, siga las instrucciones indicadas en el apartado "Adaptación a los distintos tipos de gas".

⚠ Tras realizar la conexión con el suministro de gas, compruebe si hay fugas mediante la aplicación de agua jabonosa. Encienda los quemadores y gire los mandos desde

la posición máxima 1* hasta la posición mínima 2* para comprobar la estabilidad de la llama.

ADAPTACIÓN A OTROS TIPOS DE GAS

(Esta operación debe llevarla a cabo un técnico cualificado).

⚠ Para adaptar el aparato a un tipo de gas distinto del tipo de gas para el que se ha fabricado (que se indica en la etiqueta identificativa), siga los pasos específicos que se encuentran después de los dibujos de la instalación.

ADVERTENCIAS DE ELECTRICIDAD

⚠ **IMPORTANTE:** La información relativa a la tensión y la absorción de potencia se encuentra en la placa de características.

⚠ El cable de alimentación debe ser suficientemente largo para permitir la conexión del aparato, una vez empotrado en el mueble, a la red eléctrica. No tire del cable de alimentación.

⚠ Debe ser posible desconectar el aparato de la alimentación eléctrica desenchufándolo si el enchufe es accesible o mediante un interruptor omnipolar instalado antes del enchufe, de conformidad con las normativas de cableado y el aparato debe conectarse a una toma de tierra de acuerdo con las normativas de seguridad vigentes en materia de electricidad.

⚠ No utilice alargadores, regletas ni adaptadores. Una vez terminada la instalación, los componentes eléctricos no deberán quedar accesibles para el usuario. No utilice el aparato si está mojado o va descalzo. No use este aparato si tiene un cable o un enchufe de red dañado, si no funciona bien, o si se ha dañado o se ha caído.

⚠ Si el cable de alimentación está dañado, el fabricante, su agente de servicio técnico o una persona igualmente cualificada deberán sustituirlo para evitar peligros, ya que hay riesgo de descarga eléctrica.

LIMPIEZA Y MANTENIMIENTO

⚠ **ADVERTENCIA:** Asegúrese de que el aparato esté apagado y desconectado del suministro eléctrico antes de realizar cualquier operación de mantenimiento; no utilice aparatos de limpieza con vapor, hay riesgo de descarga eléctrica.

⚠ No utilice productos abrasivos o corrosivos, limpiadores con cloro ni estropajos metálicos.

⚠ Para evitar daños al dispositivo de encendido eléctrico, no lo utilice si los quemadores están fuera de su alojamiento.

ELIMINACIÓN DEL MATERIAL DE EMBALAJE

El material de embalaje es 100% reciclable y está marcado con el símbolo de reciclaje




Por lo tanto, deberá desechar las diferentes piezas del embalaje de forma responsable, respetando siempre las normas locales sobre eliminación de residuos.

ELIMINACIÓN DE LOS ELECTRODOMÉSTICOS

Este aparato ha sido fabricado con material reciclable o reutilizable. Debe desecharse de acuerdo con la normativa local al respecto. Para obtener información más detallada sobre el tratamiento, recuperación y reciclaje de electrodomésticos, póngase en contacto con las autoridades locales, con el servicio de recogida de residuos domésticos, o con la tienda en la que adquirió el aparato. Este electrodoméstico lleva el marcado CE de conformidad con la Directiva Europea 2012/19/UE sobre Residuos de Aparatos Eléctricos y Electrónicos (RAEE) y con la normativa de Residuos de Aparatos Eléctricos y Electrónicos de 2013 (modificada).

La correcta eliminación de este producto evita consecuencias negativas para el medio ambiente y la salud.

El símbolo  que se incluye en el aparato o en la documentación que lo acompaña indica que no puede tratarse como un residuo doméstico, sino que debe entregarse en un punto de recogida adecuado para el reciclado de aparatos eléctricos y electrónicos.

CONSEJOS PARA AHORRAR ENERGÍA

Utilice recipientes cuyo fondo tenga un diámetro igual al de la zona de cocción.

Utilice exclusivamente recipientes con fondo plano.

Cuando sea posible, tape los recipientes durante la cocción.

Utilice una olla de presión para ahorrar aún más energía y tiempo.

DECLARACIÓN DE CONFORMIDAD

Este aparato cumple con los requisitos de diseño ecológico del Reglamento europeo n.º 66/2014 y con el Reglamento de diseño ecológico aplicable a los productos relacionados con la energía y el Reglamento sobre la información energética (enmienda) (salida de la UE) de 2019, en cumplimiento con la norma europea EN 30-2-1. La información relacionada con el modo de bajo consumo del aparato de acuerdo con el Reglamento (UE) 2023/826 se puede encontrar en el siguiente enlace: <https://docs.emeappliance-docs.eu>.

Tipo de gas empleado	Tipo de quemador	Referencia del inyector	Caudal térmico nominal kW	Consumo nominal	Capacidad térmica reducida kW	Presión del gas mbar		
						min.	nom.	máx.
GAS NATURAL (Metano) G20	Rápido (R)	115 Y	3,00	286 l/h	0,75	17	20	25
	Semirrápido (SR)	95 Z	1,65	157 l/h	0,40			
	Auxiliar (AUX)	72 X	1,00	95 l/h	0,40			
GAS LICUADO DE PETRÓLEO (Butano) G30	Rápido (R)	85	3,00	218 g/h	0,75	20	28-30	35
	Semirrápido (SR)	63	1,65	120 g/h	0,40			
	Auxiliar (AUX)	50	1,00	73 g/h	0,40			
GAS LICUADO DE PETRÓLEO (Propano) G31	Rápido (R)	85	3,00	214 g/h	0,75	25	37	45
	Semirrápido (SR)	63	1,65	118 g/h	0,40			
	Auxiliar (AUX)	50	1,00	71 g/h	0,40			

Tipo de gas empleado	Configuración del modelo 4 QUEMADORES	Caudal térmico nominal (kW)	Consumo total nominal	Aire necesario (m ³) para la combustión de 1 m ³ de gas
G20 20 mbar	1R - 2SR - 1AUX	7,30	695 l/h	9,52
G30 28-30 mbar	1R - 2SR - 1AUX	7,30	531 g/h	30,94
G31 37 mbar	1R - 2SR - 1AUX	7,30	521 g/h	23,80

SUMINISTRO ELÉCTRICO: 220-240 V ~ 50-60 Hz - 0,6 W

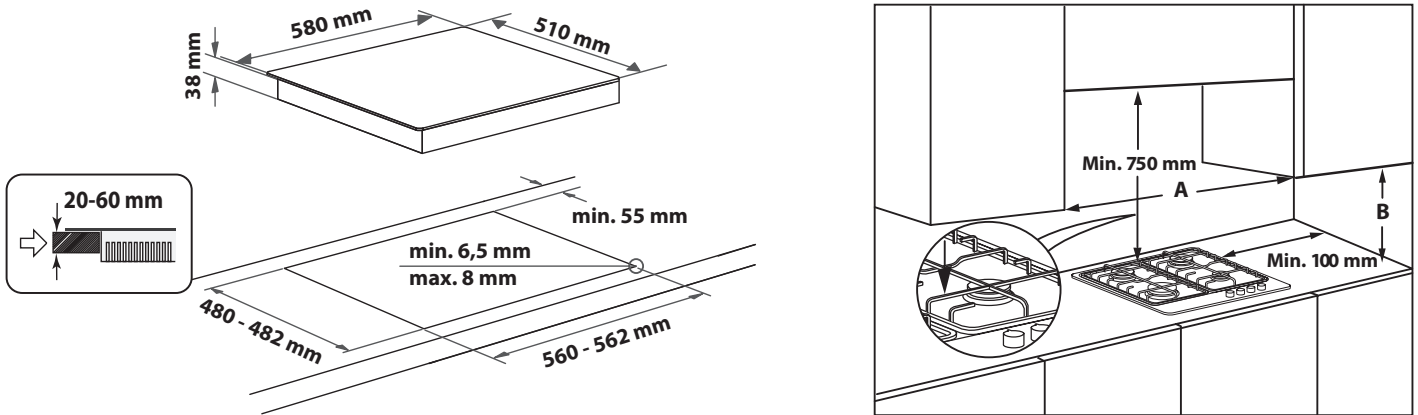


INSTALACIÓN (CLASE 3)

INFORMACIÓN TÉCNICA PARA EL INSTALADOR

- Utilice guantes de protección para manipular, preparar e instalar el electrodoméstico.
- Este producto se puede empotrar en una encimera de entre 20 y 60 mm de grosor.
- Si no hay horno instalado debajo de la placa, inserte un panel de separación con una superficie que, como mínimo, sea igual al tamaño de la abertura en la encimera. Este panel debe estar situado a una distancia máxima de 150 mm por debajo de la parte superior de la superficie de trabajo y en ningún caso, a menos de 20 mm de la parte inferior de la placa. Si desea instalar un horno debajo de la placa, asegúrese de que esté equipado con un sistema de refrigeración.

DIMENSIONES Y DISTANCIAS QUE DEBEN RESPETARSE



NOTA: si la distancia "A" entre los armarios de la pared es de 600 mm a 730 mm, la altura "B" debe ser de 530 mm como mínimo. Si la distancia "A" entre los armarios de la pared es mayor que la anchura de la zona de trabajo, la altura "B" debe ser de 400 mm como mínimo. Si se instala un extractor sobre la superficie de cocina, consulte las instrucciones del extractor para saber cuál es la distancia correcta.

MONTAJE

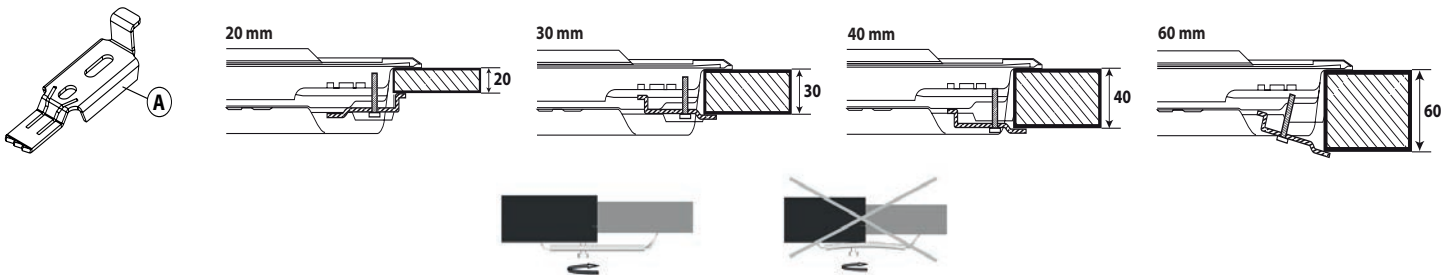
Una vez se haya limpiado el perímetro, coloque la junta en la placa como se muestra en la figura.

Coloque la placa en la abertura realizada en la encimera respetando las dimensiones indicadas en las instrucciones.



NOTA: el cable de alimentación debe tener la longitud suficiente para que se pueda extraer hacia arriba.

Para fijar la placa, utilice las abrazaderas (A) suministradas. Coloque las abrazaderas en las ranuras correspondientes indicadas por las flechas y fíjelas mediante tornillos apropiados para el grosor de la encimera (consulte las siguientes figuras).

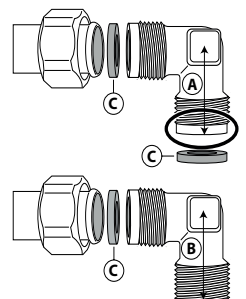


CONEXIÓN DEL GAS

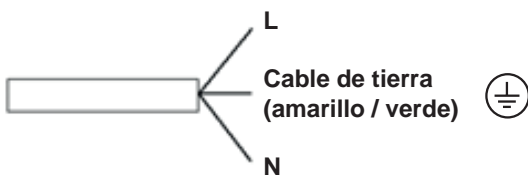
- Conecte el tubo acodado (A)* o (B)* a la tubería principal de entrada a la placa e interponga la arandela (C), de acuerdo con la norma EN 549.

* Use el tubo acodado (A) para Francia y el (B) para los demás países.

- Tras realizar la conexión con el suministro de gas, compruebe si hay fugas mediante la aplicación de agua jabonosa. Encienda los quemadores y gire los mandos desde la posición máxima (●) hasta la posición mínima (●) para comprobar la estabilidad de la llama.



CONEXIÓN ELÉCTRICA





GRACIAS POR ADQUIRIR UN PRODUCTO INDESIT

Para recibir una asistencia más completa, registre su producto en www.indesit.com/register.

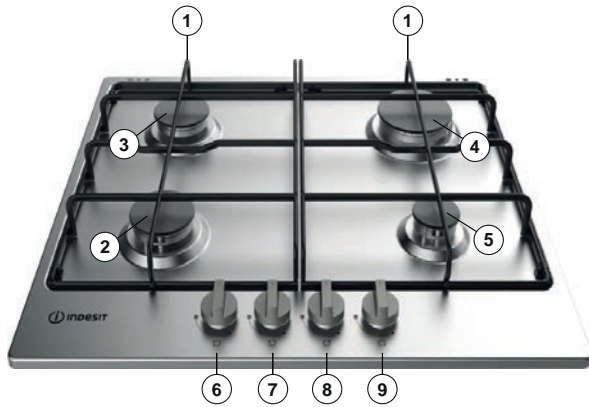


Antes de usar el aparato, lea atentamente las Instrucciones de seguridad.

ESCANEE EL CÓDIGO QR DE SU APARATO PARA OBTENER MÁS INFORMACIÓN



DESCRIPCIÓN DEL PRODUCTO



- 1. Rejillas amovibles
- 2. Quemador semirrápido
- 3. Quemador semirrápido
- 4. Quemador rápido
- 5. Quemador auxiliar
- 6. Mando del quemador semirrápido
- 7. Mando del quemador semirrápido
- 8. Mando del quemador rápido
- 9. Mando del quemador auxiliar

Símbolos

- Círculo sombreado ● Mando cerrado
- Llama grande ☉ Apertura/potencia máxima y encendido eléctrico
- Llama pequeña ● Apertura mínima o potencia reducida

USO DIARIO

USO DE LA PLACA

⚠ No deje que la llama del quemador supere el borde de la sartén.

IMPORTANTE: cuando esté usando la placa, toda el área de la placa se puede poner caliente.

- Para encender uno de los quemadores, gire el mando correspondiente en dirección contraria a la de las agujas del reloj hasta la posición de llama al máximo.
- Presione el mando contra el panel de control para encender el quemador.
- Una vez encendido el quemador, mantenga el mando presionado durante unos 5-10 segundos para activar el dispositivo de seguridad.
- La finalidad del dispositivo de seguridad es cortar el suministro de gas al quemador si la llama se apaga accidentalmente (debido a corrientes de aire, interrupciones del suministro de gas, rebosamiento de líquidos, etc.).
- El mando no debe presionarse durante más de 15 segundos. Si transcurrido este tiempo el quemador no permanece encendido, espere al menos un minuto antes de intentar encenderlo de nuevo.

NOTA: Si, debido a las condiciones del gas suministrado localmente, es difícil encender el quemador, se aconseja repetir la operación con el mando en la posición del símbolo de la llama pequeña.

El quemador puede apagarse al soltar el mando. Esto significa que el dispositivo de seguridad no se ha calentado lo suficiente. En tal caso, repita los pasos anteriores.

Si se apagara accidentalmente la llama del quemador, cierre el mando y vuelva a intentar encenderlo después de 1 minuto, como mínimo.

CONSEJOS PRÁCTICOS PARA UTILIZAR LOS QUEMADORES

La placa dispone de quemadores de distintos diámetros. Para conseguir un rendimiento óptimo de los quemadores se recomienda respetar las normas siguientes:

- utilice recipientes cuya base tenga un diámetro igual o ligeramente superior al de los quemadores (consulte la tabla de la derecha);
- utilice exclusivamente ollas y sartenes con fondo plano;
- utilice la cantidad de agua correcta para cocinar alimentos con el recipiente tapado;
- no utilice ollas que sobresalgan más allá del borde de la placa;
- En el caso de sartenes con la base convexa, tipo wok, utilice la rejilla de apoyo (no suministrada); colóquela únicamente en el quemador de anillos múltiples.
- Evitar golpes accidentales con ollas, rejillas u otros utensilios de cocina
- No dejar parrillas para bistecs vacías somber la hirnalla encendida durante más de 5 minutos.

IMPORTANTE: El uso inadecuado de las parrillas puede dañar la placa: no coloque las parrillas boca abajo ni las arrastre sobre la placa.

QUEMADOR	Ø DE RECIPIENTE
Rápido	De 24 a 26 cm
Semirrápido	De 16 a 22 cm
Auxiliar	De 8 a 14 cm

No utilice:

- planchas de hierro colado ni cacerolas u ollas de piedra o barro;
- difusores de calor como rejillas metálicas o de otro tipo;
- dos quemadores simultáneamente para un recipiente (por ejemplo, un recipiente para pescado).

AJUSTES PARA OTROS TIPOS DE GAS

⚠ Esta operación debe realizarla un técnico cualificado.

Si el aparato va a utilizarse con un tipo de gas distinto al especificado en la placa de datos y en el adhesivo informativo pegado sobre la placa, cambie los inyectores.

Quite el adhesivo informativo y guárdelo con el manual de instrucciones.

Utilice reguladores de presión adecuados para las presiones de gas que se indican en las instrucciones de instalación:

- el cambio del inyector de gas debe realizarlo el Servicio de Asistencia o un técnico cualificado y homologado;
- si no se incluye el inyector con el electrodoméstico, solicítelos al Servicio de Asistencia;
- ajuste el suministro al mínimo.

NOTA: Si se utiliza gas de petróleo líquido (G30/G31), el tornillo para ajustar el suministro al mínimo debe apretarse al máximo.

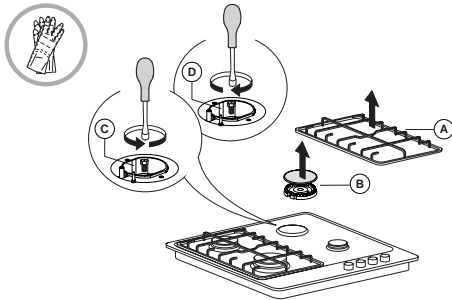
IMPORTANTE: Si tiene dificultades para girar los mandos de los quemadores, póngase en contacto con el Servicio de Asistencia Técnica para que sustituyan las tapas del quemador.

IMPORTANTE: cuando se utiliza una bombona de gas, la bombona o el recipiente de gas debe estar correctamente colocado (orientación vertical).

SUSTITUCIÓN DE LOS INYECTORES (consulte la tabla de inyectores en las Instrucciones de seguridad)

⚠ Esta operación debe realizarla un técnico cualificado.

- Retire las parrillas (A).
- Extraiga los quemadores (B).
- Con una llave de cubo del tamaño adecuado, desenrosque el inyector (C) que va a sustituir.
- Sustitúyalo por el inyector correspondiente al nuevo tipo de gas.
- Vuelva a montar el inyector en (D).



Antes de instalar la placa, recuerde fijar la placa de calibración del gas suministrada con los inyectores, de modo que incluya la información existente relativa a la calibración del gas.

LIMPIEZA Y MANTENIMIENTO

⚠ Desconecte el aparato de la red eléctrica.

LIMPIEZA DE LA SUPERFICIE DE LA PLACA

- Todas las partes esmaltadas y vitrificadas deben limpiarse con agua tibia y una solución de jabón neutro.
- Las superficies de acero inoxidable pueden mancharse debido a la cal del agua o al uso de detergentes abrasivos que se dejan en contacto durante mucho tiempo. Limpie los restos de alimentos (agua, salsas, café, etc.) antes de que se sequen.
- Limpie la placa con agua tibia y detergente neutro y séquela a fondo con un paño suave o una gamuza. Limpie los restos de alimentos quemados con productos específicos para superficies de acero inoxidable.

NOTA: Para las superficies de acero inoxidable utilice solo un paño suave o una esponja.

- No utilice productos abrasivos o corrosivos, limpiadores con cloro ni estropajos metálicos.
- No utilice aparatos de limpieza con vapor.
- No emplee productos inflamables.
- No deje sustancias ácidas o alcalinas, como vinagre, mostaza, sal, azúcar o zumo de limón sobre la placa.

RESOLUCIÓN DE PROBLEMAS

Si la placa no funciona bien, antes de llamar al Servicio de Asistencia Técnica, consulte la guía de solución de problemas para determinar el problema.

1. El quemador no se enciende o la llama no es uniforme

Compruebe que:

- se ha cortado el suministro de gas o eléctrico y en concreto, si el mando del gas está abierto;
- la bombona de gas está vacía;
- las aberturas de los quemadores están obstruidas;
- el extremo del dispositivo de encendido está sucio;
- las piezas de los quemadores están colocadas correctamente;
- hay corrientes de aire alrededor de la placa.

2. El quemador no permanece encendido

Compruebe que:

- al encender el quemador, el mando se ha mantenido presionado durante el tiempo suficiente para activar el sistema de protección;
- las aberturas del quemador no están obstruidas junto al termopar;
- el extremo del termopar no está sucio;
- si el ajuste de gas mínimo es correcto (consulte el apartado correspondiente).

AJUSTE DEL SUMINISTRO DE GAS AL MÍNIMO

⚠ Esta operación debe realizarla un técnico cualificado.

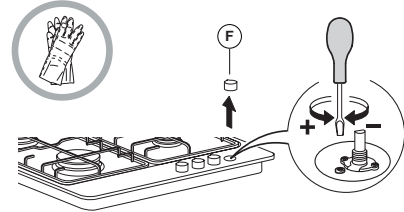
El ajuste debe realizarse con la posición de suministro de gas en el mínimo (llama pequeña).

No es necesario ajustar el aire principal de los quemadores.

Para asegurarse de que el suministro mínimo está ajustado correctamente, quite el mando (F) y realice lo siguiente:

- apriete el tornillo para reducir la altura de la llama (-);
- afloje el tornillo para aumentar la altura de la llama (+).

En este punto, encienda los quemadores y gire los mandos de la posición máxima Ⓞ a la posición mínima ● para comprobar la estabilidad de la llama.



Después de realizar el ajuste, vuelva a sellar la junta con cera o un material similar.

LIMPIEZA DE LAS PIEZAS DE LA PLACA

- Limpie las partes vitrificadas y esmaltadas con un paño suave o una esponja.
- Para limpiarlas, es necesario quitar las parrillas, las tapas y los quemadores.
- Limpie estos accesorios a mano con agua tibia y detergente no abrasivo, quite con cuidado los residuos de alimentos y compruebe que las aberturas de los quemadores no están obstruidas.
- Enjuague y seque con cuidado.
- **Las rejillas de hierro fundido pueden limpiarse en el lavavajillas. Retire los alimentos quemados antes de colocar las rejillas en la bandeja más baja del lavavajillas.**
- Vuelva a colocar los quemadores y las tapas en su sitio.
- Al colocar las parrillas, asegúrese de que el área de las parrillas donde se apoyan las ollas está alineada con el quemador.
- Los modelos equipados con dispositivo de encendido eléctrico y dispositivos de seguridad requieren una limpieza exhaustiva del extremo de la bujía para asegurarse un funcionamiento correcto. Compruebe estos elementos con frecuencia y si fuera necesario, límpielos con un paño húmedo. Los restos de alimentos quemados deben eliminarse con un palillo o una aguja.

NOTA: Para evitar daños al dispositivo de encendido eléctrico, no lo utilice si los quemadores están fuera de su alojamiento.

3. Los recipientes no son estables

Compruebe que:

- la parte inferior del recipiente es completamente plana;
- el recipiente está centrado en el quemador;
- se han colocado de forma incorrecta las parrillas.

Si el fallo persiste después de estas comprobaciones, póngase en contacto con el Servicio de Asistencia más cercano.

SERVICIO POSTVENTA

Para recibir una asistencia más completa, registre su producto en www.indesit.com/register.

ANTES DE LLAMAR AL SERVICIO POSTVENTA:

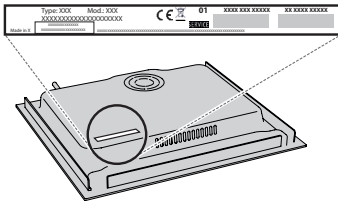
1. Intente resolver el problema consultando las recomendaciones que se ofrecen en la **GUÍA PARA LA SOLUCIÓN DE PROBLEMAS**.
2. Apague el aparato y vuelva a encenderlo para comprobar si se ha solucionado el problema.

SI EL FALLO PERSISTE DESPUÉS DE ESTAS COMPROBACIONES, PÓNGASE EN CONTACTO CON EL SERVICIO POSTVENTA.

Para recibir asistencia, llame al número que aparece en el folleto de la garantía o siga las instrucciones de la página web www.indesit.com.

Cuando se ponga en contacto con nuestro Servicio Postventa, especifique siempre:

- una breve descripción del problema;
- el tipo y el modelo exacto del aparato;



- el número de serie (el número que se indica tras la palabra SN en la placa de características situada debajo del aparato). El número de serie también se indica en la documentación;



Mod. **xxx xxx**
 Ind.C. **xxxx xxxx xxxx**
 SN: **xxxx xxxx xxxx**
 Prod.N. **xxxx xxxx xxxx**

- su dirección completa;
- su número de teléfono.

Si fuera necesaria alguna reparación, póngase en contacto con un Servicio Postventa autorizado (que garantiza el uso de piezas de recambio originales y una reparación correcta).

Puede consultar los reglamentos, la documentación estándar e información adicional sobre productos mediante alguna de las siguientes formas:

- Utilizando el código QR en tu aplicación;
- Visitando nuestro sitio web docs.indesit.eu;
- También puede **ponerse en contacto con nuestro Servicio postventa** (Consulte el número de teléfono en el folleto de la garantía). Cuando se ponga en contacto con nuestro Servicio Postventa, deberá indicar los códigos que figuran en la placa de características de su producto.



⚠ Estas instruções são válidas se o símbolo do país constar no aparelho. Caso o símbolo não conste no aparelho é necessário consultar as instruções técnicas que fornecem as instruções necessárias relativamente às condições de utilização específicas do país.

⚠ **ATENÇÃO:** A utilização do aparelho de cozedura a gás resulta numa produção de calor, humidade e produtos da combustão no espaço onde o aparelho está instalado. Certifique-se de que a cozinha dispõe de uma boa ventilação, especialmente durante a utilização do aparelho: mantenha os orifícios de ventilação natural abertos ou instale um dispositivo de ventilação mecânico (exaustor mecânico). A utilização intensiva prolongada do aparelho pode requerer uma ventilação adicional como, por exemplo, a abertura de janelas ou até de uma ventilação mais eficiente, aumentando o nível de ventilação mecânica (se possível).

⚠ A estrita inobservância das instruções contidas no presente manual pode levar a uma explosão, causando danos pessoais ou à propriedade.

Antes de utilizar o aparelho, leia estas instruções de segurança com atenção. Guarde-as por perto para consulta futura.

As presentes instruções e o próprio aparelho possuem informações importantes relativas à segurança, as quais deverá ler e respeitar sempre. O fabricante não se responsabiliza por quaisquer acontecimentos decorrentes do incumprimento das presentes instruções de segurança, da utilização inadequada do aparelho ou da configuração incorreta dos respectivos controlos.

⚠ **AVISO:** Se a superfície da placa estiver rachada, não utilize o aparelho - risco de choque elétrico.

⚠ **AVISO:** Perigo de incêndio: não guarde objetos nas superfícies de cozedura.

⚠ **ATENÇÃO:** O processo de cozedura tem de ser vigiado. Os processos de cozedura de curta duração devem ser continuamente vigiados.

⚠ **AVISO:** A cozedura de alimentos com gorduras ou óleos numa placa sem vigilância pode ser perigosa - risco de incêndio. NUNCA tente apagar um incêndio com água. Desligue o aparelho e depois cubra a chama, por exemplo com uma tampa ou manta antifogo.

⚠ Não utilize a placa como superfície ou suporte de trabalho. Mantenha quaisquer peças de vestuário ou outros materiais inflamáveis afastados do aparelho até que todos os componentes deste tenham arrefecido completamente, pois existe risco de incêndio.

⚠ As crianças até aos 3 anos deverão manter-se afastadas do aparelho. As crianças entre os 3 e os 8 anos devem ser mantidas afastadas do aparelho, exceto se estiverem sob supervisão permanente. Este aparelho pode ser utilizado por crianças a partir dos 8 anos e por pessoas com capacidades físicas, sensoriais ou mentais reduzidas ou com falta de experiência e conhecimento, desde que estejam sob supervisão ou tenham recebido instruções quanto à utilização segura deste aparelho e se compreenderem os perigos envolvidos. As crianças não devem brincar com o aparelho. A limpeza e a manutenção a

cargo do utilizador não devem ser realizadas por crianças sem supervisão.

⚠ **ATENÇÃO:** Caso o vidro da placa se parta: desligue de imediato todos os queimadores e qualquer elemento de aquecimento elétrico e isole o aparelho da alimentação de corrente; não toque na superfície do aparelho; não utilize o aparelho.

A tampa de vidro pode partir-se caso seja exposta ao calor. Desligue todos os queimadores e placas elétricas antes de fechar a tampa. Não feche a tampa caso algum queimador esteja ligado.

⚠ **AVISO:** O aparelho e os seus componentes acessíveis ficam quentes durante o funcionamento. Deve ter-se cuidado para evitar tocar nos elementos quentes. Mantenha as crianças com idade inferior a 8 anos afastadas do aparelho a menos que estejam vigiadas em permanência.

⚠ Os alimentos não devem ser deixados dentro ou sobre o produto durante mais de uma hora, antes ou depois da cozedura.

UTILIZAÇÃO PERMITIDA

⚠ **ATENÇÃO:** o aparelho não deve ser ligado a partir de um dispositivo de comutação externa, como, por exemplo, um temporizador, nem a partir de um sistema de controlo remoto em separado.

⚠ Este aparelho destina-se a ser utilizado em ambiente doméstico e em aplicações semelhantes, tais como: copas para utilização dos funcionários em lojas, escritórios e outros ambientes de trabalho; quintas de exploração agrícola; clientes em hotéis, motéis, *bed & breakfast* e outros tipos de ambientes residenciais.

⚠ Estão proibidos outros tipos de utilização (por exemplo, aquecimento de divisões da casa).

⚠ Este aparelho não está concebido para o uso profissional. Não utilize o aparelho no exterior.

⚠ Utilize panelas e frigideiras com um diâmetro de base igual ou ligeiramente superior ao dos queimadores (consulte a tabela específica). Certifique-se de que os tachos nas grelhas não vão para além do rebordo da placa.

⚠ A utilização incorreta das grelhas pode causar danos à placa: não coloque as grelhas de cima para baixo nem as arraste sobre a placa.

Não deixe que a chama do queimador vá para além do rebordo do fundo da panela.

Se a superfície da placa for em vidro, não utilize frigideiras em ferro fundido, pedras para grelhador, panelas de terracota ou caçarolas.

Não utilize: Difusores de calor tais como malhas de metal, ou de qualquer outro tipo. Dois queimadores em simultâneo para um utensílio (por exemplo panela para peixe).

caso condições particulares do abastecimento de gás tornem difícil acender o queimador, recomendamos que repita a operação com o botão na posição da chama mais pequena. Caso instale um exaustor por cima da placa, consulte as instruções do mesmo quanto à distância correta a manter entre ambos os aparelhos.

As bases de borracha de proteção situadas sob as grelhas constituem um perigo de sufocação para as crianças se forem engolidas. Após remover as grelhas, certifique-se de que todos os pés estão instalados corretamente.

INSTALAÇÃO

⚠ O aparelho deve ser transportado e instalado por duas ou mais pessoas - risco de lesões. Use luvas de proteção para desembalar e instalar o aparelho - risco de cortes.

⚠ As ligações do gás e elétricas devem estar em conformidade com os regulamentos locais.

⚠ A instalação, incluindo a alimentação de água (caso seja necessário) e as ligações elétricas, bem como quaisquer

reparações devem ser realizadas por um técnico devidamente qualificado. Não repare nem substitua nenhuma peça do aparelho a não ser que tal seja especificamente indicado no manual de utilização. Mantenha as crianças afastadas do local da instalação. Depois de desembalar o aparelho, certifique-se de que este não foi danificado durante o transporte. Em caso de problemas, contacte o revendedor ou o Serviço Pós-Venda mais próximo. Uma vez instalado o aparelho, os elementos da embalagem (plástico, peças de esferovite, etc.) devem ser armazenados longe do alcance das crianças - risco de asfixia. Deve desligar o aparelho da corrente elétrica antes de efetuar qualquer operação de instalação - risco de choques elétricos. Durante a instalação, certifique-se de que o aparelho não danifica o cabo de alimentação - risco de incêndio ou de choques elétricos. Ligue o aparelho apenas depois de concluída a instalação do mesmo.

⚠ **AVISO:** a alteração do aparelho e do seu método de instalação são essenciais para uma utilização segura e correta do mesmo em todos os países adicionais.

⚠ Utilize reguladores de pressão adequados à pressão do gás indicada nas Instruções.

⚠ O espaço deve dispor de um sistema de extração de ar que expulse os gases de combustão.

⚠ Além disso, o espaço deve dispor também de uma circulação de ar adequada, uma vez que é necessário existir ar para que a combustão ocorra normalmente. O fluxo de ar não deve ser inferior a 2 m³/h por kW de potência instalada.

⚠ O sistema de circulação de ar pode transportar o ar diretamente a partir do exterior através de um tubo com uma secção transversal interna com pelo menos, 100 cm²; esta abertura não deve estar vulnerável a quaisquer tipos de obstruções.

⚠ O sistema poderá fornecer o ar necessário à combustão de forma indireta, ou seja, a partir das divisões adjacentes que disponham de tubos de circulação de ar, como descrito acima. Contudo, estas divisões não deverão ser espaços comuns, quartos de dormir ou divisões que apresentem risco de incêndio.

⚠ O gás de petróleo liquefeito dissipa-se no chão, uma vez que é mais pesado do que o ar. Como tal, as divisões contendo botijas de GPL também devem dispor de ventilação para permitir a libertação do gás em caso de fuga. Deste modo, as botijas de GPL, quer estejam parcialmente ou totalmente cheias, não devem ser instaladas ou armazenadas em espaços ou áreas de armazenamento que estejam abaixo do nível do solo (caves, etc.). É recomendável que mantenha na divisão apenas a botija em utilização, posicionado de forma a que não esteja sujeita ao calor produzido por fontes externas (fornos, lareiras, fogões, etc.), o que pode levar a um aumento da temperatura da botija para valores superiores a 50 °C.

Se tiver dificuldade ao rodar os botões dos queimadores, contacte o Serviço Pós-Venda a fim de proceder à substituição da tampa do queimador, caso verifique que está danificada. As aberturas utilizadas para realizar a ventilação e dispersão do calor nunca devem ser cobertas.

⚠ Execute todos os trabalhos de corte no móvel antes de instalar o aparelho e remova todas as lascas de madeira e a serradura.

⚠ Caso o aparelho não seja instalado sobre um forno, deverá instalar um painel de separação (não incluído) no compartimento localizado sob o aparelho.

LIGAÇÃO DO GÁS

⚠ **AVISO:** Antes da instalação, certifique-se de que as condições de distribuição local (tipo de gás e pressão do gás) e a configuração do aparelho são compatíveis.

⚠ Assegure-se de que a pressão do fornecimento de gás é consistente com os valores indicados na Tabela "Especificações dos queimadores".

⚠ **AVISO:** As condições de configuração para este aparelho encontram-se indicadas na tabela (ou na placa de características).

⚠ **AVISO:** este aparelho não está ligado a um dispositivo de extração de produtos de combustão. Este deve ser instalado e ligado de acordo com os regulamentos de instalação em vigor. Deve ser tomada atenção especial aos requisitos relevantes relativos à ventilação.

⚠ Caso o aparelho esteja ligado a gás liquefeito, o parafuso de regulação deve ser apertado tanto quanto possível.

⚠ **IMPORTANTE:** Quando utiliza uma botija de gás, esta deve ser colocada adequadamente (na posição vertical).

⚠ **AVISO:** esta operação deve ser realizada por um técnico qualificado.

⚠ Para a ligação do gás, utilize apenas uma mangueira flexível ou rígida de metal.

⚠ Ligação a um tubo rígido (cobre ou aço) A ligação ao sistema de gás deve ser efetuada de forma a não sobrecarregar nenhum outro eletrodoméstico. Existe um encaixe ajustável ao tubo em forma de L na fonte de alimentação do aparelho e este está equipado com uma vedação para evitar quaisquer fugas. A vedação deve ser substituída após a rotação do conector (a vedação vem fornecida com o aparelho). A junta do tubo de entrada de gás tem rosca de 1/2 gás macho cilíndrica.

⚠ Ligação de um tubo de aço inoxidável sem juntas flexíveis para um acessório roscado. O encaixe do tubo de fornecimento de gás é um acessório roscado 1/2 gás macho cilíndrico. A instalação destes tubos deve ser efetuada de maneira que o seu comprimento, em condições de máxima extensão, não seja maior de 2000 mm. Quando a ligação estiver terminada, assegure-se de que o tubo metálico flexível não entre em contacto com as partes móveis ou fique amassado. Utilize exclusivamente tubos e guarnições de retenção em conformidade com as normas nacionais em vigor.

⚠ **IMPORTANTE:** se usar um tubo de aço inoxidável, este deve ser instalado de forma a não tocar em qualquer parte móvel do armário (p. ex., numa gaveta). Este deve passar por uma área onde não existam obstruções e onde seja possível inspecioná-lo a todo o seu comprimento.

⚠ O aparelho deve estar ligado ao fornecimento de gás principal ou à botija de gás, em conformidade com as normas nacionais atuais. Antes de efetuar a ligação certifique-se de que o aparelho é compatível com o fornecimento de gás que pretende utilizar. Se não for o caso, siga as instruções indicadas no parágrafo "Adaptar a diferentes tipos de gás".

⚠ Após a ligação ao abastecimento de gás, procure se existem fugas usando água com detergente. Ligue os queimadores e rode os botões da posição máx. 1* para a posição mínima 2* para verificar a estabilidade da chama.

ADAPTAR A DIFERENTES TIPOS DE GÁS

(Esta operação deve ser efetuado por um técnico qualificado).

⚠ Para adaptar o aparelho a um tipo de gás diferente do tipo para o qual foi fabricado (indicado na etiqueta de classificação), siga as etapas específicas fornecidas após as figuras relativas à instalação.

AVISOS RELATIVOS À ELETRICIDADE

⚠ **IMPORTANTE:** os dados relevantes sobre voltagem e absorção de energia estão indicados na placa de características.

⚠ O cabo de alimentação deve ser suficientemente comprido para ligar o aparelho à tomada elétrica da parede, depois de instalado no respetivo lugar. Não puxe o cabo de alimentação.

⚠ Deve ser possível desligar o aparelho da fonte de alimentação, desligando-o na ficha, caso esta esteja acessível, ou através de um interruptor multipolar instalado na tomada de acordo com a regulamentação aplicável a ligações elétricas; além disso, o aparelho deve dispor de ligação à terra, de acordo com as normas de segurança elétrica nacionais.

⚠ Não utilize adaptadores, fichas múltiplas ou extensões. Após a instalação do aparelho, os componentes elétricos devem estar inacessíveis ao utilizador. Não utilize o aparelho com os pés descalços ou molhados. Não ligue este aparelho se o cabo ou a ficha elétrica apresentar danos, se não estiver a funcionar corretamente, se estiver danificado ou se tiver caído.

⚠ Se o cabo de alimentação estiver danificado deverá ser substituído por um idêntico pelo fabricante ou por um técnico de assistência ou pessoas similarmemente qualificadas de modo a evitar a ocorrência de situações perigosas, pois existe o risco de choques elétricos.

LIMPEZA E MANUTENÇÃO

⚠ **AVISO:** Assegure-se de que o aparelho está desligado da fonte de alimentação antes de realizar quaisquer operações de manutenção; nunca use uma máquina de limpeza a vapor para limpar o aparelho - risco de choques elétricos.

⚠ Não utilize produtos abrasivos ou corrosivos, produtos de limpeza à base de cloro, ou esfregões da louça.

⚠ Para evitar danificar o isqueiro elétrico, não o utilize quando os queimadores não estiverem instalados.

ELIMINAÇÃO DA EMBALAGEM


O material da embalagem é 100% reciclável, conforme indicado pelo símbolo de reciclagem .

As várias partes da embalagem devem ser eliminadas de forma responsável e em total conformidade com as normas estabelecidas pelas autoridades locais.

ELIMINAÇÃO DE ELETRODOMÉSTICOS

Este aparelho é fabricado com materiais recicláveis ou reutilizáveis. Elimine-o em conformidade com as normas de eliminação de resíduos locais. Para obter mais informações sobre o tratamento, recuperação e reciclagem de eletrodomésticos, contacte as autoridades locais, o serviço de recolha de resíduos domésticos ou a loja onde adquiriu o aparelho. Este aparelho está classificado em conformidade com a Diretiva Europeia 2012/19/UE relativa aos Resíduos de Equipamentos Elétricos e Eletrónicos (REEE) e com os regulamentos referentes à gestão de resíduos de equipamentos elétricos e eletrónicos de 2013 (conforme alteração).

Ao assegurar a eliminação correta deste produto, estamos a proteger o ambiente e a saúde humana contra riscos negativos.

O símbolo  no produto, ou nos documentos que acompanham o produto, indica que este aparelho não deve ser tratado como resíduo doméstico e deve ser transportado para um centro de recolha adequado para proceder à reciclagem do equipamento elétrico e eletrónico.

SUGESTÕES PARA POUPAR ENERGIA

Utilize panelas e frigideiras com um diâmetro de base igual ao da superfície de cozedura.

Utilize apenas panelas e frigideiras com fundo plano.

Se possível, mantenha as panelas tapadas durante a cozedura.

Utilize uma panela de pressão para poupar ainda mais energia e tempo.

DECLARAÇÃO DE CONFORMIDADE

Este aparelho cumpre os requisitos de conceção ecológica do regulamento europeu n.º 66/2014, os requisitos de conceção ecológica dos produtos relacionados com o consumo de energia e o regulamento sobre as informações energéticas (alteração) (saída UE) de 2019 em conformidade com a norma europeia EN 30-2-1.

As informações relacionadas com o modo de baixo consumo do aparelho, em conformidade com o Regulamento (UE) 2023/826, podem ser encontradas na seguinte hiperligação: <https://docs.emeaappliance-docs.eu>.

Tipo de gás utilizado	Tipo de queimador	Marca do injetor	Fluxo térmico anunciado kW	Consumo anunciado	Capacidade reduzida de calor kW	Pressão do gás mbar		
						min.	anunc.	máx.
GÁS NATURAL (Metano) G20	Rápido (R)	115 Y	3,00	286 l/h	0,75	17	20	25
	Semi-rápido (SR)	95 Z	1,65	157 l/h	0,40			
	Auxiliar (AUX)	72 X	1,00	95 l/h	0,40			
GÁS DE PETRÓLEO LIQUEFEITO (Butano) G30	Rápido (R)	85	3,00	218 g/h	0,75	20	28-30	35
	Semi-rápido (SR)	63	1,65	120 g/h	0,40			
	Auxiliar (AUX)	50	1,00	73 g/h	0,40			
GÁS DE PETRÓLEO LIQUEFEITO (Propano) G31	Rápido (R)	85	3,00	214 g/h	0,75	25	37	45
	Semi-rápido (SR)	63	1,65	118 g/h	0,40			
	Auxiliar (AUX)	50	1,00	71 g/h	0,40			

Tipo de gás utilizado	Configuração do modelo 4 QUEIMADORES	Taxa de fluxo térmico nominal (kW)	Consumo total nominal	Ar necessário (m ³) para queimar 1 m ³ de gás
G20 20 mbar	1R - 2SR - 1AUX	7,30	695 l/h	9,52
G30 28-30 mbar	1R - 2SR - 1AUX	7,30	531 g/h	30,94
G31 37 mbar	1R - 2SR - 1AUX	7,30	521 g/h	23,80

CORRENTE ELÉCTRICA: 220-240 V ~ 50-60 Hz - 0,6 W

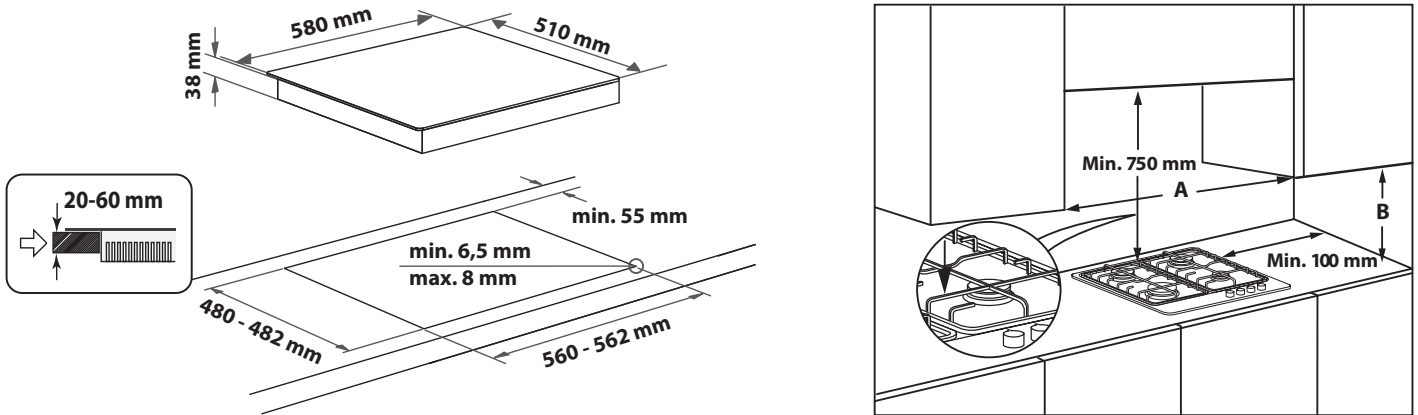


INSTALAÇÃO (CLASSE 3)

INFORMAÇÃO TÉCNICA PARA QUEM INSTALAR A PLACA

- Utilize luvas de proteção quando manusear, preparar e instalar o produto.
- Este produto pode ser encastrado numa bancada com 20 a 60 mm de espessura.
- Se não for inserido um forno sob a placa, insira um painel separador com uma superfície no mínimo igual à abertura existente no tampo. Este painel deve ser colocado a uma distância máxima de 150 mm abaixo da superfície superior da bancada, mas nunca a menos de 20 mm do fundo da placa. Caso pretenda instalar um forno sob a placa, certifique-se de que este está equipado com um sistema de arrefecimento.

DIMENSÕES E DISTÂNCIAS A SEREM MANTIDAS



NOTA: se a distância "A" entre a parede dos armários for entre 600 mm e 730 mm, a altura "B" terá de ser, no mínimo, de 530 mm. Se a distância "A" entre a parede dos armários for maior do que a largura da placa, a altura "B" terá de ser, no mínimo, de 400 mm. Em caso de instalação de um exaustor por cima da placa, consulte as instruções do exaustor para uma distância correcta.

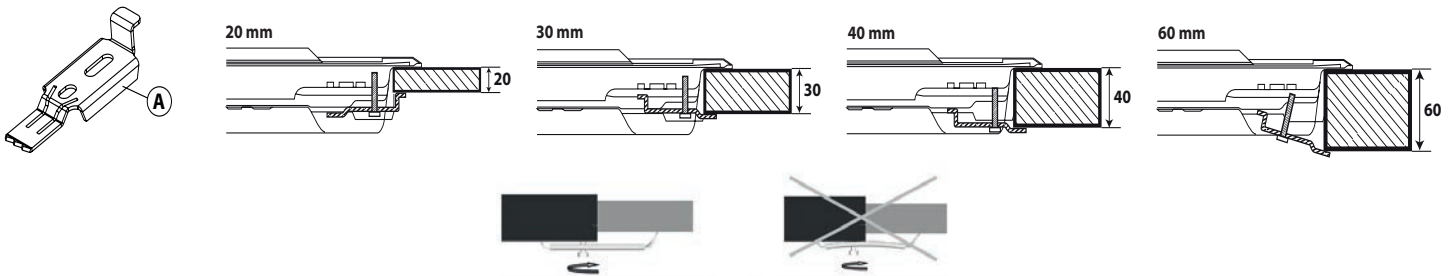
MONTAGEM

Depois de limpar a superfície periférica, aplique a junta fornecida na placa conforme indicado na figura.

Posicione a placa sobre a abertura da bancada que foi feita respeitando as dimensões indicadas nas Instruções.

NOTA: o cabo de alimentação deve ser suficientemente longo para permitir ser extraído para cima.

Para fixar a placa, utilize os suportes (A) fornecidos. Fixe os suportes nos respectivos orifícios indicados pelas setas e aperte-os com os respectivos parafusos de acordo com a espessura da bancada (consulte as figuras seguintes).

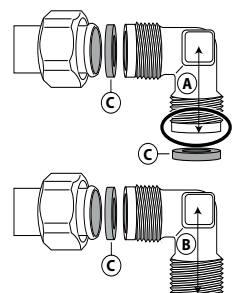


LIGAÇÃO DO GÁS

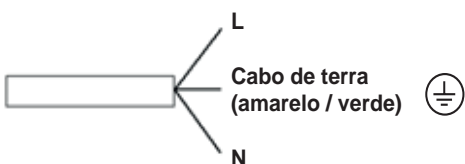
- Ligue o cotovelo (A)* ou (B)* fornecido, ao tubo de entrada principal da placa e introduza a anilha (C) fornecida, em conformidade com EN 549.*

*O cotovelo (A) deve ser usado em França e o cotovelo (B) em todos os outros países.

- Após a ligação ao abastecimento de gás, procure se existem fugas usando água com detergente. Ligue os queimadores e rode os botões desde a posição máxima (●) até à posição mínima (●) para verificar a estabilidade da chama.



LIGAÇÃO ELÉCTRICA



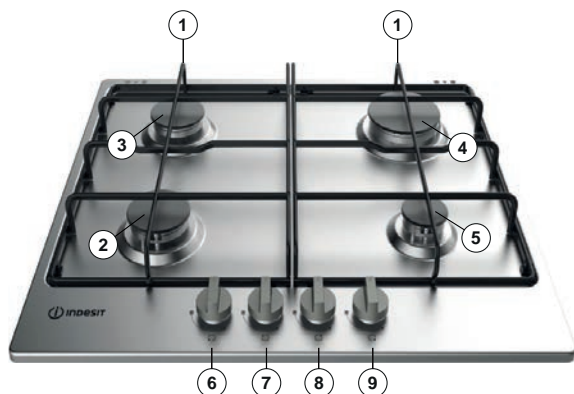
**OBRIGADO POR COMPRAR UM PRODUTO INDESIT**

Para beneficiar de uma assistência mais completa, registre o seu produto em www.indesit.com/register.



Leia as instruções de segurança com atenção antes de usar o aparelho.

EFETUE A LEITURA DO CÓDIGO QR NO SEU APARELHO PARA OBTTER MAIS INFORMAÇÕES

**DESCRIÇÃO DO PRODUTO**

1. Grelhas amovíveis
2. Queimador semirrápido
3. Queimador semirrápido
4. Queimador rápido
5. Queimador auxiliar
6. Botão de controlo do queimador semirrápido
7. Botão de controlo do queimador semirrápido
8. Botão de controlo do queimador rápido
9. Botão de controlo do queimador auxiliar

Símbolos

- Círculo sombreado ● Torneira fechada
- Chama grande ☉ Abertura/saída máxima e acendedor elétrico
- Chama pequena ● Abertura mínima ou saída reduzida

UTILIZAÇÃO DIÁRIA**COMO UTILIZAR A PLACA**

⚠ Não deixe que a chama do queimador vá para além do rebordo do fundo da panela.

IMPORTANTE: quando a placa está a ser usada, toda a área da placa pode estar quente.

- Para acender um dos queimadores, rode o respetivo botão no sentido inverso ao dos ponteiros do relógio até à posição de chama máxima.
- Carregue no botão contra o painel de controlo para ativar o isqueiro.
- Após acender o queimador, mantenha o botão premido durante cerca de 5-10 segundos para permitir uma operação correta do dispositivo.
- Este dispositivo de segurança do queimador desliga o abastecimento de gás até ao queimador caso a chama se apague acidentalmente (devido a uma súbita corrente de ar, interrupção no abastecimento de gás, líquidos que saíram por fora ao ferver, etc.).
- Não deve premir o botão durante mais do que 15 segundos. Se, após esse tempo, o queimador não se mantiver aceso, espere pelo menos um minuto antes de o tentar acender de novo.

NOTA: caso condições particulares do abastecimento de gás tornem difícil acender o queimador, recomendamos que repita a operação com o botão na posição da chama mais pequena.

O queimador pode apagar-se quando solta o botão. Isto significa que o dispositivo de segurança não aqueceu o suficiente. Neste caso, repita as operações descritas acima.

Se apagar-se acidentalmente a chama do queimador feche o botão de comando e tente acender novamente somente após um minuto no mínimo.

CONSELHOS PRÁTICOS PARA UTILIZAÇÃO DOS QUEIMADORES

Esta placa possui queimadores de diferentes diâmetros. Para um melhor desempenho, cumpra as seguintes regras:

- Utilize panelas e frigideiras que tenham um fundo com a mesma largura dos queimadores ou ligeiramente maior (consulte a tabela à direita).
- Utilize apenas panelas e frigideiras com fundo plano.
- Utilize a quantidade correta de água quando cozinhar alimentos, mantendo o tacho tapado.
- Certifique-se de que os tachos nas grelhas não vão para além do rebordo da placa.
- No caso de panelas com fundos convexos (WOK), utilize a grelha de suporte fornecida, que deve ser colocada apenas no queimador multianéis.
- Evitar batidas acidentais com panelas, grades ou outros utensílios da cozinha.
- Não deixar frigideiras vazias somber o fogão aceso por mais de 5 minutos.

IMPORTANTE: uma utilização incorreta das grelhas pode originar danos na placa: não coloque as grelhas de cima para baixo nem as arraste sobre a placa.

QUEIMADOR	Ø PANELA
Rápido	Entre 24 e 26 cm
Semi-rápido	Entre 16 e 20 cm
Auxiliar	Entre 8 e 14 cm

Não utilize:

- frigideiras de ferro fundido, pedras para grelhador, potes e panelas de terracota;
- difusores de calor tais como malhas de metal, ou de qualquer outro tipo;
- dois queimadores em simultâneo para um utensílio (por exemplo panela para peixe).

ADAPTAR A DIFERENTES TIPOS DE GÁS

⚠ Esta operação deve ser realizada por um técnico qualificado.

Se o aparelho vai ser usado com um tipo de gás diferente do que está indicado na placa de características e etiqueta de informações no topo da placa, mude os injetores.

Retire a etiqueta de informações e guarde-a com o livro de instruções.

Utilize reguladores de pressão adequados à pressão do gás indicada nas Instruções:

- o injetor de gás deve ser trocado pelo Serviço Pós-Venda ou por um técnico qualificado;
- o injetor não fornecido com o aparelho deve ser encomendado ao Serviço Pós-Venda;
- ajuste a definição mínima das torneiras.

NOTA: quando é usado gás de petróleo líquido (G30/G31), o parafuso de ajuste de saída mínima de gás, deve ser apertado o máximo possível.

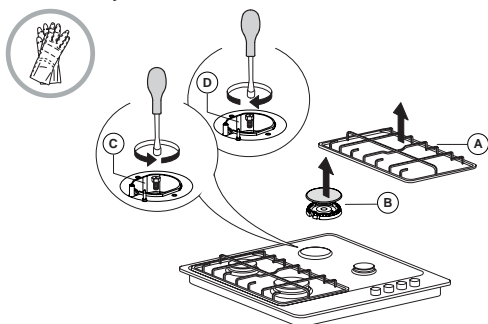
IMPORTANTE: se tiver dificuldade em rodar os botões dos queimadores, contacte o Serviço Pós-Venda para substituir a torneira do queimador caso tenha algum defeito.

IMPORTANTE: quando utiliza uma botija de gás, esta deve ser colocada devidamente (na posição vertical).

SUBSTITUIR OS INJETORES (consulte a tabela de injetores nas Instruções de segurança)

⚠ Esta operação deve ser realizada por um técnico qualificado.

- Retire as grelhas (A).
- Extraia os queimadores (B).
- Utilizando uma chave sextavada do tamanho adequado, desaperte o injetor (C), desaperte o injetor que quer substituir.
- Substitua-o pelo injetor adequado ao novo tipo de gás.
- Torne a montar o injetor em (D).



Antes de instalar a placa, não se esqueça de afixar a placa de calibração do gás fornecida com os injetores, de forma que esta cubra a informação anterior relativa à calibração de gás.

LIMPEZA E MANUTENÇÃO

⚠ Desligue o aparelho da corrente elétrica.

LIMPAR A SUPERFÍCIE DA PLACA

- Todas as partes de esmaltadas e de vidro, devem ser limpas com água quente e uma solução neutra.
- As superfícies em aço inoxidável podem ficar manchadas por água calcária ou detergentes agressivos, se ficarem em contacto com estes durante muito tempo. Qualquer alimento derramado (água, molho, café, etc.) deve ser limpo antes que seque.
- Limpe com água quente e detergente neutro e, de seguida, seque com um pano macio ou camurça. Retire a sujidade acumulada com produtos de limpeza específicos para superfícies de aço inoxidável.

NOTA: limpe o aço inoxidável apenas com um pano macio ou com uma esponja.

- Não utilize produtos abrasivos ou corrosivos, produtos de limpeza à base de cloro, ou esfregões da louça.
- Não utilize aparelhos de limpeza a vapor.
- Não utilize produtos inflamáveis.
- Não deixe substâncias ácidas ou alcalinas, tais como vinagre, mostarda, sal, açúcar ou sumo de limão, sobre a placa de fogão.

RESOLUÇÃO DE PROBLEMAS

Se a placa não funcionar devidamente, antes de contactar o Serviço Pós-Venda, consulte o Guia para Resolução de Problemas para determinar qual o problema.

1. O queimador não acende ou a chama não é regular

Verifique se:

- o abastecimento de gás ou energia elétrica não estão desligados, e especialmente se a torneira de segurança do gás está aberta.
- a botija de gás (gás líquido) não está vazia;
- as aberturas do queimador não estão entupidas;
- a extremidade do acendedor não está suja;
- todas as partes do queimador estão posicionadas corretamente;
- não existem correntes de ar perto da placa.

2. O queimador não se mantém aceso

Verifique se:

- quando acende o queimador, o botão foi premido o tempo suficiente para ativar o dispositivo de proteção;
- as aberturas do queimador não estão entupidas perto do par termoeletrico;
- a extremidade do dispositivo de segurança não está suja;
- a saída mínima de gás está corretamente ajustada (consulte o parágrafo relevante)

AJUSTAR A SAÍDA MÍNIMA DE GÁS DAS TORNEIRAS

⚠ Esta operação deve ser realizada por um técnico qualificado.

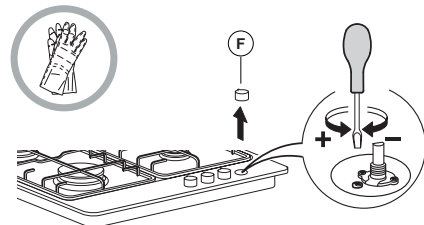
Os ajustes devem ser realizados com o botão na posição de mínimo ● chama pequena).

O ar primário dos queimadores não precisa de ser ajustado.

Para garantir que a saída mínima está corretamente ajustada, retire o botão (F) e faça o seguinte:

- aperte o parafuso para reduzir a altura da chama (-);
- solte o parafuso para aumentar a altura da chama (+).

Nesta fase, ligue os queimadores e rode os botões desde a posição máxima ◉ até à posição mínima ● para verificar a estabilidade da chama.



Quando terminar o ajuste, torne a selar usando cera ou um material equivalente.

LIMPAR AS PARTES DA PLACA

- Limpe o vidro e as partes esmaltadas apenas com um pano macio ou uma esponja.
- Grelhas, tampas dos queimadores e queimadores, podem ser retirados para limpeza.
- Limpe-os manualmente com água quente e detergente não abrasivo, removendo quaisquer resíduos de alimentos e verificando se nenhum dos orifícios do queimador está entupido.
- Enxague e seque.
- **As grelhas de ferro fundido podem ser lavadas na máquina de lavar loiça. Remova quaisquer vestígios de alimentos queimados antes de colocar as grelhas na prateleira inferior da máquina de lavar loiça.**
- Tome a colocar os queimadores e as tampas corretamente nos respetivos locais.
- Quando tornar a colocar as grelhas, certifique-se de que a área onde assentam as panelas está alinhada com o queimador.
- Os modelos equipados com isqueiro elétrico e dispositivo de segurança, exigem uma limpeza mais aprofundada da extremidade do acendedor para garantir uma operação correta. Verifique estas partes frequentemente e, se necessário, limpe-as com um pano húmido. Quaisquer restos de alimentos devem ser retirados com um palito ou uma agulha.

NOTA: Para evitar danificar o isqueiro elétrico, não o utilize quando os queimadores não estiverem instalados.

3. Os recipientes não estão estáveis

Verifique se:

- o fundo do recipiente é perfeitamente plano;
- o recipiente está centrado sobre o queimador;
- as grelhas não foram trocadas ou posicionadas incorretamente.

Se, após efetuar as verificações acima indicadas, o problema persistir, contacte o Serviço Pós-Venda mais próximo.

SERVIÇO PÓS-VENDA

Para beneficiar de uma assistência mais completa, registre o seu produto em www.indesit.com/register.

ANTES DE CONTACTAR O SERVIÇO PÓS-VENDA:

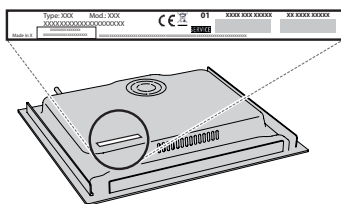
1. Tente solucionar o problema sozinho com a ajuda das sugestões fornecidas na secção de **RESOLUÇÃO DE PROBLEMAS**.
2. Desligue e volte a ligar o aparelho para verificar se o problema ficou resolvido.

SE O PROBLEMA PERSISTIR APÓS ESSAS VERIFICAÇÕES, CONTACTE O SERVIÇO PÓS-VENDA MAIS PRÓXIMO.

Para receber assistência, contacte o número indicado no livrete da garantia ou siga as instruções existentes no site www.indesit.com.

Quando contactar o nosso Serviço de Pós-venda indique sempre:

- uma breve descrição da anomalia;
- o tipo e o modelo exato do aparelho;



- o número de série (número situado após a palavra SN na chapa de características localizada por baixo do aparelho). O número de série também se encontra indicado na documentação;



PRODUCT INFORMATION

Mod. **xxx xxx**

Ind.C. **xxxx xxxx xxxx**

SN: **xxxx xxxx xxxx**

Prod.N. **xxxx xxxx xxxx**

- a sua morada completa;
- o seu número de telefone.

Se for necessário efetuar alguma reparação, contacte um Serviço de Assistência Técnica autorizado (para garantir a utilização de peças sobressalentes originais e uma reparação correta).

As políticas, a documentação padrão e as informações de produto adicionais poderão ser consultadas:

- Utilizar o código QR no seu aparelho;
- Visitando o nosso website docs.indesit.eu;
- Em alternativa, **contacte o nosso Serviço Pós-venda** (através do número de telefone contido no livrete da garantia). Ao contactar o nosso Serviço Pós-Venda, indique os códigos fornecidos na placa de identificação do seu produto.



INSTRUCȚIUNI PRIVIND SIGURANȚA

IMPORTANT: TREBUIE CITITE ȘI RESPECTATE

⚠ Aceste instrucțiuni sunt valabile numai dacă simbolul țării în care este utilizat aparatul este prezent pe acesta. Dacă simbolul corespunzător nu este prezent pe acesta, este necesar să consultați instrucțiunile tehnice, deoarece acestea conțin instrucțiunile necesare privind modificarea aparatului în funcție de condițiile de utilizare specifice țării respective.

⚠ **ATENȚIE:** Utilizarea unui aparat de gătit cu funcționare pe gaz are ca rezultat generarea de căldură, umiditate și produși combustibili în încăperea în care acesta este instalat. Asigurați-vă că bucătăria este bine ventilată, mai ales atunci când aparatul este în funcțiune: mențineți deschise orificiile de aerisire sau instalați un dispozitiv de ventilare mecanică (hotă cu extracție mecanică). Utilizarea intensivă și îndelungată a aparatului ar putea impune necesitatea unei ventilări suplimentare, de exemplu, deschiderea ferestrei sau o modalitate mai eficientă de ventilare, prin creșterea nivelului de ventilare mecanică atunci când este cazul.

⚠ Nerespectarea cu exactitate a instrucțiunilor din acest manual poate duce la incendiu sau explozie, care se soldează cu pagube materiale sau vătămări corporale. Înainte de a utiliza aparatul, citiți aceste instrucțiuni privind siguranță. Păstrați-le la îndemână pentru a le putea consulta și pe viitor.

Aceste instrucțiuni și aparatul în sine furnizează avertismente importante privind siguranță, care trebuie respectate întotdeauna. Producătorul nu își asumă nicio răspundere pentru nerespectarea acestor instrucțiuni de siguranță, pentru utilizarea necorespunzătoare a aparatului sau pentru setarea incorectă a butoanelor de comandă.

⚠ **AVERTISMENT:** Aparatul și părțile sale accesibile se înfierbântă în timpul utilizării. Trebuie evitată atingerea elementelor fierbinți. Copiii cu vârste mai mici de 8 ani nu trebuie lăsați să se apropie de aparat, cu excepția cazurilor în care sunt supravegheați în permanentă.

⚠ **AVERTISMENT:** Dacă suprafața plitei este crăpată, nu folosiți aparatul – risc de electrocutare.

⚠ **AVERTISMENT:** Pericol de incendiu: Nu depozitați obiecte pe zonele de gătit.

⚠ **ATENȚIE:** Procesul de preparare trebuie să fie supravegheat. Un proces de preparare care durează puțin trebuie să fie supravegheat în permanentă.

⚠ **AVERTISMENT:** Prepararea la plită cu grăsime sau ulei poate fi periculoasă - risc de incendiu. Nu încercați NICIODATĂ să stingeți un incendiu folosind apă: trebuie să opriți aparatul și apoi trebuie să acoperiți flacăra, de exemplu cu un capac sau cu o pătură ignifugă.

⚠ Nu utilizați plita ca suprafață de lucru sau suport. Nu amplasați articole vestimentare sau alte materiale inflamabile lângă aparat până când nu s-au răcit complet toate componentele acestuia - pericol de incendiu.

⚠ Nu lăsați aparatul la îndemâna copiilor foarte mici (0-3 ani). Nu lăsați aparatul la îndemâna copiilor mici (3-8 ani)

decât dacă sunt supravegheați în permanentă. Copiii cu vârsta de peste 8 ani și persoanele cu capacități fizice, senzoriale sau mintale reduse sau fără experiență și cunoștințe pot folosi acest aparat doar dacă sunt supravegheate sau au fost instruite cu privire la utilizarea în siguranță și înțeleg riscurile implicate. Copiii nu trebuie să se joace cu aparatul. Curățarea și întreținerea nu trebuie să fie efectuate de către copii fără a fi supravegheați.

⚠ **ATENȚIE:** În cazul spargerii sticlei plitei: închideți imediat toate arzătoarele și toate rezistențele electrice și deconectați aparatul de la sursa de alimentare; nu atingeți suprafața aparatului; nu utilizați aparatul.

Capacul din sticlă se poate sparge dacă este încălzit excesiv. Opriți toate arzătoarele și plăcile electrice înainte de a închide capacul. Nu închideți capacul dacă arzătorul este aprins.

⚠ Alimentele nu trebuie lăsate în interiorul sau deasupra produsului mai mult de o oră înainte sau după preparare.

UTILIZAREA PERMISĂ

⚠ **ATENȚIE:** aparatul nu trebuie să fie pus în funcțiune prin intermediul unui comutator extern, precum un temporizator, sau al unui sistem de comandă la distanță separat.

⚠ Acest aparat este proiectat pentru a fi utilizat în locuințe, precum și în alte spații similare, precum: bucătării destinate personalului din magazine, birouri și alte spații de lucru; ferme; de către clienții din hoteluri, moteluri, unități de cazare de tip "Bed and breakfast" și alte spații rezidențiale.

⚠ Orice altă utilizare este interzisă (de ex. încălzirea încăperilor).

⚠ Acest aparat nu este destinat utilizării în scop profesional. Nu utilizați aparatul în aer liber.

⚠ Utilizați oale și cratițe cu diametrul bazei egal sau puțin mai mare decât diametrul arzătoarelor (consultați tabelul specific). Aveți grijă ca vasele de gătit așezate pe grătare să nu iasă în afara marginilor plitei.

⚠ Utilizarea necorespunzătoare a grătarelor poate duce la deteriorarea plitei: nu așezați grătarele cu susul în jos și nu le târați pe suprafața plitei.

Aveți grijă ca flacăra arzătorului să nu se extindă dincolo de marginea vasului. Dacă suprafața plitei este fabricată din sticlă, nu utilizați tigăi din fontă, plăci de piatră pentru gătit, oale și cratițe din teracotă.

Nu utilizați: Difuzoare de căldură, de tipul plaselor metalice sau de alte tipuri. Două arzătoare în același timp pentru un singur vas (de ex. o tavă de gătit pește).

În cazul în care condițiile locale specifice de distribuire a gazelor fac ca aprinderea arzătorului să fie dificilă, este indicat să repetați operația cu butonul rotit la poziția pentru flacăra mică.

În cazul instalării unei hote deasupra plitei, consultați instrucțiunile care însoțesc hota pentru a identifica distanțele corecte de montare.

Picioarele de protecție din cauciuc de sub grătare ar putea fi înghițite de copii, reprezentând astfel un pericol de sufocare. După îndepărtarea grătarelor, vă rugăm să vă asigurați că toate picioarele sunt montate corect.

INSTALAREA

⚠ Manevrarea și instalarea aparatului trebuie să fie efectuate de două sau mai multe persoane - risc de rănire. Folosiți mănuși de protecție la despachetare și instalare - risc de tăiere.

⚠ Conexiunile electrice și racordurile pentru gaz trebuie să fie efectuate în conformitate cu normele locale.

⚠ Instalarea, inclusiv racordarea la rețeaua de alimentare cu apă (dacă este necesară) și la rețeaua de alimentare cu energie electrică, precum și reparațiile trebuie efectuate de un tehnician calificat. Nu reparați și nu înlocuiți nicio piesă a aparatului, dacă acest lucru nu este indicat în mod expres în manualul de utilizare. Nu lăsați copiii în apropierea zonei de instalare. După despachetarea aparatului, asigurați-vă că acesta nu a fost deteriorat în timpul transportului. Dacă apar probleme, contactați distribuitorul sau cel mai apropiat serviciu de asistență tehnică post-vânzare. Odată instalat aparatul, deșeurile de ambalaje (bucăți de plastic, polistiren etc.) nu trebuie lăsate la îndemâna copiilor - risc de asfixiere. Înainte de orice operație de instalare, aparatul trebuie să fie deconectat de la rețeaua de alimentare cu energie electrică - risc de electrocutare. În timpul instalării, aveți grijă ca aparatul să nu deterioreze cablul de alimentare - risc de incendiu sau de electrocutare. Activați aparatul numai atunci când instalarea a fost finalizată.

⚠ **AVERTISMENT:** Modificarea aparatului și a metodei de instalare a acestuia sunt esențiale în vederea utilizării corecte și în siguranță a aparatului în toate țările ale căror simboluri nu sunt specificate pe acesta.

⚠ Folosiți regulatoare de presiune potrivite pentru presiunea gazului precizată în instrucțiuni.

⚠ Încăperea trebuie să fie prevăzută cu un sistem de extracție a aerului care să elimine din incintă gazele combustibile.

⚠ De asemenea, în încăperea trebuie să fie permisă circulația liberă a aerului, deoarece acesta este absolut necesar pentru o ardere normală. Debitul de aer nu trebuie să fie de sub 2 m³/h per kW de putere instalată.

⚠ Sistemul de circulație a aerului poate extrage aerul direct din exterior prin intermediul unei conducte cu o secțiune transversală internă de cel puțin 100 cm²; deschiderea nu trebuie să fie blocată.

⚠ De asemenea, acest sistem poate asigura indirect aerul necesar pentru ardere, adică din încăperile adiacente prevăzute cu conducte de circulație a aerului, conform descrierii anterioare. Totuși, aceste încăperi nu trebuie să fie camere de zi, dormitoare sau să comporte riscul de izbucnire a unui incendiu.

⚠ Gazul petrolier lichefiat cade pe planșeu deoarece are o greutate mai mare decât cea a aerului. Astfel, încăperile în care se află butelii de GPL trebuie să fie de asemenea prevăzute cu orificii de aerisire pentru a se permite eliminarea gazului în cazul scurgerii acestuia. În consecință, buteliile de GPL, încărcate parțial sau complet, nu trebuie să fie instalate sau depozitate în încăperi sau spații de depozitare aflate sub nivelul solului (pivnițe etc.). Este recomandat ca în încăperea să fie depozitată numai butelia utilizată, aceasta fiind poziționată într-un loc ferit de căldura produsă de sursele externe (cuptoare, șemineuri, sobe etc.) care ar putea determina creșterea temperaturii buteliei la o valoare de peste 50 °C.

Dacă întâmpinați dificultăți când rotiți butoanele arzătoarelor, vă rugăm să contactați Serviciul de asistență tehnică post-vânzare în vederea înlocuirii robinetului arzătorului dacă acesta este defect.

Deschiderile destinate ventilației și dispersiei căldurii nu trebuie să fie niciodată acoperite.

⚠ Executați toate operațiunile de decupare a mobilei înainte de a încorpora aparatul și înlăturați cu grijă toate așchiile din lemn și rumegușul.

⚠ În cazul în care aparatul nu este montat deasupra unui cuptor, trebuie să fie instalat un panou despărțitor (neinclus în dotarea aparatului) în compartimentul de sub acesta.

RACORDAREA LA GAZ

⚠ **AVERTISMENT:** Înainte de instalare, asigurați-vă că condițiile de distribuție de la nivel local (tipul de gaz și presiunea gazului) sunt compatibile cu configurația aparatului.

⚠ Verificați dacă presiunea de alimentare cu gaz este conformă cu valorile specificate în tabelul „Specificații privind arzătorul și duza”.

⚠ **AVERTISMENT:** Valorile de reglare a aparatului sunt specificate pe etichetă (sau pe plăcuța cu date tehnice).

⚠ **AVERTISMENT:** Acest aparat nu este conectat la un dispozitiv de evacuare a produselor de ardere. Dispozitivul trebuie să fie instalat și conectat în conformitate cu normele în vigoare privind instalarea. Trebuie să se acorde o atenție deosebită cerințelor relevante privind ventilația.

⚠ Dacă aparatul este racordat la o sursă de alimentare cu gaz lichefiat, șurubul de reglare trebuie să fie strâns cât mai mult posibil.

⚠ **IMPORTANT:** Când se folosește alimentarea cu gaz de la butelie, butelia sau recipientul de gaz trebuie să fie așezate în mod adecvat (orientare verticală).

⚠ **AVERTISMENT:** Această operație trebuie să fie efectuată de un tehnician calificat.

⚠ Folosiți numai furtunuri metalice flexibile sau rigide pentru racordul de gaz.

⚠ Racord rigid (din cupru sau oțel) Racordul la sistemul de alimentare cu gaz trebuie să fie efectuat astfel încât să nu se exercite presiuni asupra aparatului. Pe rampa de alimentare a aparatului este prezent un racord în forma literei L reglabil, care este prevăzut cu o garnitură ce previne scurgerile. Garnitura trebuie să fie înlocuită întotdeauna după rotirea racordului (garnitura este livrată împreună cu aparatul). Racordul conductei de alimentare cu gaz este un racord 1/2 cilindric filetat de tip tată.

⚠ Racordarea unei țevi din oțel inoxidabil flexibile și fără sudură la un racord filetat Racordul conductei de alimentare cu gaz este un racord 1/2 cilindric filetat de tip tată. Țevile trebuie să fie instalate astfel încât să nu aibă niciodată o lungime mai mare de 2000 mm atunci când sunt complet extinse. Odată ce a fost realizată racordarea, asigurați-vă că țeavă metalică flexibilă nu intră în contact cu nicio componentă mobilă și că nu este presată. Utilizați numai țevi și garnituri care sunt conforme cu normele naționale.

⚠ **IMPORTANT:** Dacă se utilizează un furtun din oțel inoxidabil, acesta trebuie instalat astfel încât să nu atingă nicio componentă mobilă a mobilierului (de exemplu, un sertar). Acesta trebuie să treacă printr-o zonă în care nu există obstacole și care să permită examinarea furtunului pe toată lungimea sa.

⚠ Aparatul trebuie să fie racordat la rețeaua de alimentare cu gaz sau la butelia de gaz în conformitate cu normele

naționale. Înainte de a efectua racordarea, asigurați-vă că aparatul este compatibil cu tipul de gaz pe care doriți să îl utilizați. Dacă nu există compatibilitate, urmați instrucțiunile de la paragraful "Adaptarea pentru diferite tipuri de gaz".

⚠ După racordarea la alimentarea cu gaz, verificați etanșeitatea folosind apă cu săpun. Aprindeți arzătoarele și rotiți butoanele de la poziția de maxim 1* la poziția de minim 2* pentru a verifica stabilitatea flăcării.

ADAPTAREA PENTRU DIFERITE TIPURI DE GAZ

(Această operațiune trebuie efectuată de un tehnician calificat).

⚠ Pentru a adapta aparatul la un alt tip de gaz decât cel pentru care a fost fabricat acesta (indicat pe plăcuța cu date tehnice), urmați pașii corespunzători, indicați după desenele aferente instalării.

AVERTISMENTE PRIVIND ALIMENTAREA CU ENERGIE ELECTRICĂ

⚠ **IMPORTANT:** Informațiile despre consumul de curent și tensiune sunt furnizate pe plăcuța cu date tehnice.

⚠ Aparatul trebuie să poată fi deconectat de la rețeaua electrică fie prin scoaterea ștecherului din priză (dacă ștecherul este accesibil), fie prin intermediul unui întrerupător multipolar situat în amonte de priză, în conformitate cu normele privind cablurile electrice, iar aparatul trebuie să fie împământat, în conformitate cu standardele naționale privind siguranța electrică.

⚠ Cablul de alimentare trebuie să fie suficient de lung pentru a putea conecta aparatul la rețeaua de alimentare cu energie electrică, după ce a fost încastrat în mobilă. Nu trageți de cablul de alimentare.

⚠ Nu utilizați prelungitoare, prize multiple sau adaptoare. După finalizarea instalării, componentele electrice nu trebuie să mai fie accesibile pentru utilizator. Nu utilizați aparatul dacă aveți părți ale corpului umede sau când sunteți desculți. Nu puneți în funcțiune acest aparat dacă are cablul de alimentare sau ștecherul deteriorat, dacă nu funcționează corespunzător sau dacă a fost deteriorat sau a căzut pe jos.

⚠ Dacă este deteriorat cablul de alimentare, acesta trebuie înlocuit cu unul identic de către producător, agentul de service sau de o persoană calificată similară, pentru a se evita pericolele - pericol de electrocutare.


CURĂȚAREA ȘI ÎNTREȚINEREA

⚠ **AVERTISMENT:** Asigurați-vă că aparatul este oprit și deconectat de la rețeaua de alimentare electrică înainte de a efectua orice operație de întreținere; nu folosiți niciodată aparate de curățare cu aburi-risc de electrocutare.

⚠ Nu utilizați produse abrazive sau corozive, produse pe bază de clor sau bureți de sârmă pentru vase.

⚠ Pentru a evita deteriorarea dispozitivului de aprindere electrică, nu-l folosiți atunci când arzătoarele nu sunt în locașurile lor.


ELIMINAREA AMBALAJULUI

Ambalajul este reciclabil în proporție de 100% și este marcat cu simbolul reciclării .

Prin urmare, diferitele părți ale ambalajului trebuie eliminate în mod corespunzător și în conformitate cu normele stabilite de autoritățile locale privind eliminarea deșeurilor.

ELIMINAREA APARATELOR ELECTROCASNICE

Acest aparat este fabricat cu materiale reciclabile sau reutilizabile. Eliminați-l în conformitate cu normele locale referitoare la eliminarea deșeurilor. Pentru informații suplimentare referitoare la tratarea, valorificarea și reciclarea aparatelor electrocasnice, contactați autoritățile locale competente, serviciul de colectare a deșeurilor menajere sau magazinul de unde ați achiziționat aparatul. Acest aparat este marcat în conformitate cu Directiva europeană 2012/19/UE privind deșeurile de echipamente electrice și electronice (DEEE) și cu reglementările din 2013 privind deșeurile de echipamente electrice și electronice (astfel cum au fost modificate). Asigurându-vă că acest produs este eliminat în mod corect, contribuiți la prevenirea consecințelor negative asupra mediului înconjurător și sănătății persoanelor.

Simbolul  de pe produs sau de pe documentele care îl însoțesc indică faptul că acest aparat nu trebuie eliminat ca deșeu menajer, ci trebuie predat la un centru de colectare corespunzător, pentru reciclarea echipamentelor electrice și electronice.

RECOMANDĂRI PRIVIND ECONOMISIREA ENERGIEI

Utilizați oale și cratițe cu diametrul bazei egal cu cel al zonei de gătit.

Utilizați numai oale și cratițe cu baza plată.

Când gătiți, pe cât posibil, lăsați oalele acoperite cu capacul.

Utilizați o oală sub presiune pentru a reduce și mai mult consumul de energie și durata de preparare.

DECLARAȚIE DE CONFORMITATE

Acest aparat îndeplinește Cerințele de proiectare ecologică prevăzute de Regulamentul european nr. 66/2014, precum și Regulamentele din 2019 (leșire UE) (Amendamentul) privind informațiile energetice și proiectarea ecologică aplicabilă produselor cu impact energetic, în conformitate cu Standardul european EN 30-2-1. Informațiile referitoare la modul de consum redus de energie al aparatului în conformitate cu Regulamentul (UE) 2023/826 pot fi consultate accesând următorul link: <https://docs.emeaappliance-docs.eu>.

Tip de gaz utiliza	Tip de arzător	Marcaj injector	Capacitate termică nominală kW	Consum nominal	Capacitate termică redusă kW	Presiune gaz mbar		
						min.	nom.	max.
GAZE NATURALE (Metan) G20	Rapid (R)	115 Y	3,00	286 l/h	0,75	17	20	25
	Semi-rapid (SR)	95 Z	1,65	157 l/h	0,40			
	Auxiliary (AUX)	72 X	1,00	95 l/h	0,40			
GAZ PETROLIER LICHEFIAT (Butan) G30	Rapid (R)	85	3,00	218 g/h	0,75	20	30	35
	Semi-rapid (SR)	63	1,65	120 g/h	0,40			
	Auxiliary (AUX)	50	1,00	73 g/h	0,40			
GAZ PETROLIER LICHEFIAT (Propan) G31	Rapid (R)	85	3,00	214 g/h	0,75	20	30	35
	Semi-rapid (SR)	63	1,65	118 g/h	0,40			
	Auxiliary (AUX)	50	1,00	71 g/h	0,40			

Tip de gaz utiliza	Configurație model 4 ARZĂTOARE	Capacitate termică nominală (kW)	Consum total nominal	Aer necesar (m ³) pentru a arde 1m ³ de gaz
G20 20 mbar	1R - 2SR - 1AUX	7,30	695 l/h	9,52
G30 30 mbar	1R - 2SR - 1AUX	7,30	531 g/h	30,94
G31 30 mbar	1R - 2SR - 1AUX	7,30	521 g/h	23,80

ALIMENTAREA CU ELECTRICITATE: 220-240 V ~ 50-60 Hz -0,6W

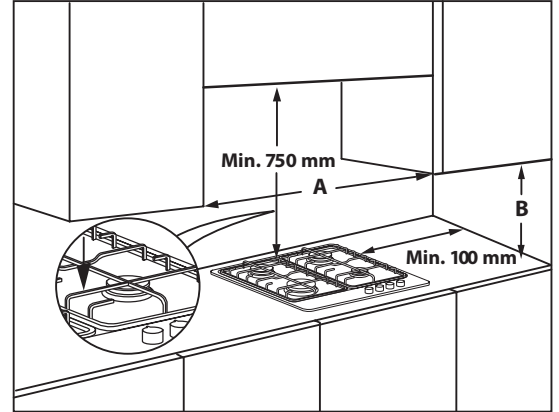
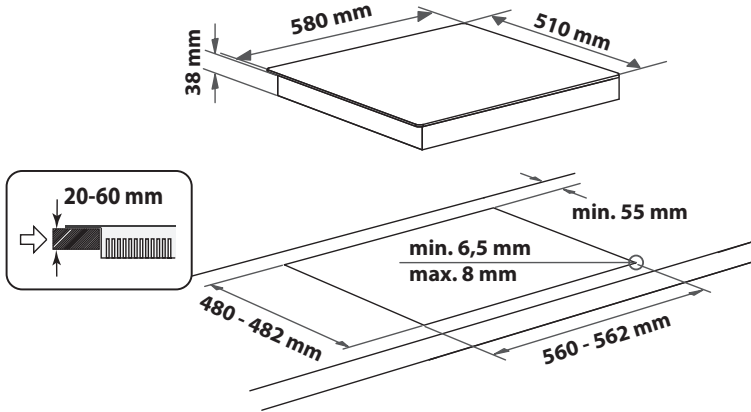


INSTALAREA (CLASA 3)

INFORMAȚII TEHNICE PENTRU INSTALATOR

- Folosiți mănuși de protecție pentru manevrarea, pregătirea și instalarea produsului.
- Acest produs poate fi încadrat într-un blat de lucru cu o grosime de 20 până la 60 mm.
- Dacă nu există un cuptor dedesubtul plitei, introduceți un panou separator cu o suprafață cel puțin egală cu deschiderea din blatul de lucru. Acest panou trebuie poziționat la o distanță maximă de 150 mm sub partea superioară a blatului de lucru, dar în niciun caz la mai puțin de 20 mm de partea inferioară a plitei. Dacă doriți să instalați un cuptor sub plită, asigurați-vă că acesta este echipat cu un sistem de răcire.

DIMENSIUNI ȘI DISTANȚE DE RESPECTAT



NOTĂ: dacă distanța "A" dintre dulapurile suspendate este între 600 mm și 730 mm, înălțimea "B" trebuie să fie de cel puțin 530 mm. Dacă distanța "A" dintre dulapurile suspendate este mai mare decât lățimea suprafeței de gătit, înălțimea "B" trebuie să fie de cel puțin 400 mm. În cazul instalării unei hote deasupra plitei, respectați instrucțiunile cu distanțele corecte de montare a hotei.

MONTAREA

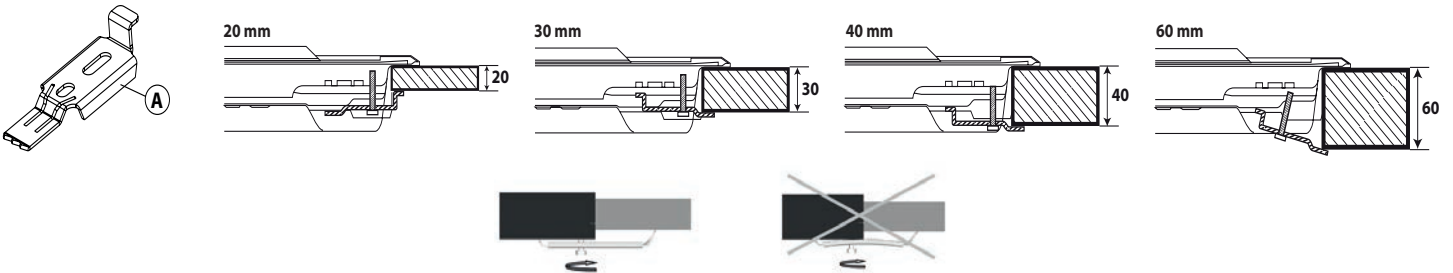
După ce ați curățat suprafața marginilor, aplicați pe plită garnitura furnizată, așa cum se arată în figură.

Poziționați plita în deschiderea practică în blatul de lucru, respectând dimensiunile indicate în Instrucțiuni.



NOTĂ: cablul de alimentare trebuie să fie suficient de lung pentru a permite ca plita să poată fi scoasă prin partea de sus.

Pentru a fixa plita, folosiți consolele (A) livrate împreună cu aceasta. Potrivii consolele în găurile corespunzătoare indicate de săgeată și strângeți-le prin intermediul șuruburilor, în funcție de grosimea blatului de lucru (consultați figurile următoare).

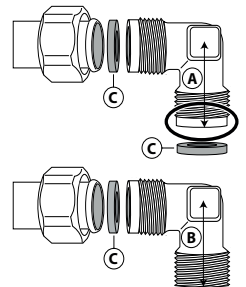


RACORDAREA LA GAZ

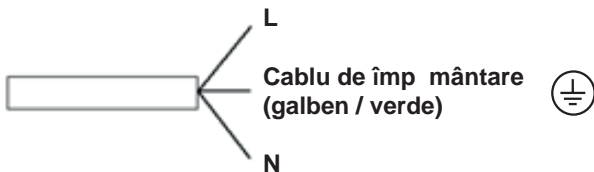
- Racordați cotul (A)* sau (B)* (incluse în pachet) la țeava principală de alimentare a plitei și intercalați șaiba (C) (inclusă în pachet), în conformitate cu standardul EN 549.

* Folosiți cotul (A) pentru Franța și cotul (B) pentru toate celelalte țări.

- După racordarea la alimentarea cu gaz, verificați etanșeitatea folosind apă cu săpun. Aprindeți arzătoarele și rotiți butoanele de la poziția de maxim ☉ la poziția de minim ● pentru a verifica stabilitatea flăcării.



CONECTARE ELECTRICA





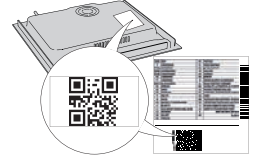
VĂ MULȚUMIM CĂ AȚI ACHIZIȚIONAT UN PRODUS INDESIT

Pentru a beneficia de servicii complete de asistență, vă rugăm să vă înregistrați produsul pe www.indesit.com/register.

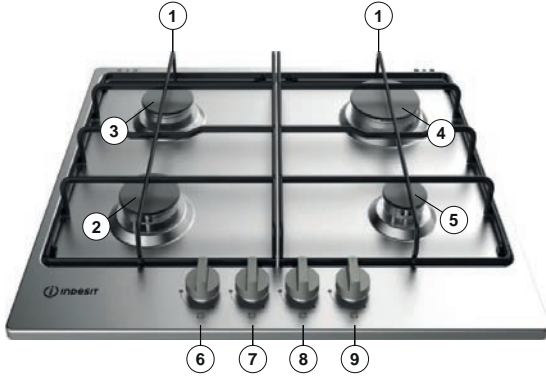


Înainte de a utiliza aparatul, citiți cu atenție instrucțiunile privind siguranța.

SCANĂȚI CODUL QR DE PE APARATUL DUMNEAVOASTRĂ PENTRU A OBȚINE MAI MULTE INFORMAȚII



DESCRIEREA PRODUSULUI



1. Grătare detaabile
2. Arzător Semi-rapid
3. Arzător Semi-rapid
4. Arzător Rapid
5. Arzător Auxiliar
6. Buton de comandă pentru arzătorul Semi-rapid
7. Buton de comandă pentru arzătorul Semi-rapid
8. Buton de comandă pentru arzătorul Rapid
9. Buton de comandă pentru arzătorul Auxiliar

Simboluri

- Cerc de culoare închisă ● Robinet închis
- Flacără mare ☉ Deschidere maximă/debit maxim i aprindere electrică
- Flacără mică ● Deschidere minimă sau debit redus

UTILIZAREA ZILNICĂ

UTILIZAREA PLITEI

⚠ Aveți grijă ca flacăra arzătorului să nu se extindă dincolo de marginea vasului.

IMPORTANT: când plita este în uz, întreaga zonă a plitei se poate înfierbânta.

- Pentru a aprinde un arzător, rotiți butonul corespunzător în sens anti-orar până când ajunge în poziția pentru flacără maximă.
- Apăsăți butonul spre panoul de comandă pentru a aprinde arzătorul.
- După aprinderea arzătorului, continuați să țineți apăsat butonul timp de aproximativ 5-10 secunde pentru a permite funcționarea corectă a dispozitivului.
- Acest dispozitiv de siguranță cu care este prevăzut arzătorul va întrerupe alimentarea cu gaz a arzătorului în cazul în care flacăra se stinge accidental (din cauza unor curenți de aer, a întreruperii furnizării gazelor, a vărsării de lichide etc.).
- Butonul nu trebuie ținut apăsat mai mult de 15 sec. Dacă după trecerea acestui interval arzătorul nu rămâne aprins, așteptați cel puțin un minut înainte de a încerca să-l aprindeți din nou.

NOTĂ: în cazul în care condițiile locale specifice de distribuire a gazelor fac ca aprinderea arzătorului să fie dificilă, este indicat să repetați operația cu butonul rotit la poziția pentru flacără mică.

Arzătorul se poate stinge când butonul este eliberat. Acest lucru înseamnă că dispozitivul de siguranță nu s-a încălzit suficient. În această situație, repetați operațiile descrise mai sus.

Dacă flacăra arzătorului se stinge accidental, opriți comanda arzătorului și nu încercați să o aprindeți timp de cel puțin 1 minut.

SFATURI PRACTICE PENTRU UTILIZAREA ARZĂTOARELOR

Această plită are arzătoare cu diametre diferite. Pentru a obține rezultate optime la folosirea arzătoarelor, vă rugăm să urmați aceste reguli:

- utilizați oale și cratițe cu diametrul bazei egal sau puțin mai mare decât diametrul arzătoarelor (consultați tabelul din dreapta);
- utilizați numai oale și cratițe cu baza plată;
- folosiți cantitatea corectă de apă când gătiți alimentele și țineți oala acoperită;
- aveți grijă ca vasele de gătit așezate pe grătare să nu iasă în afara marginilor plitei;
- în cazul vaselor cu bază convexă (wok), folosiți grătarul-suport care nu este furnizat împreună cu plita, care trebuie plasat numai pe arzătorul cu inele de ardere multiple;
- evitați ciocnirile accidentale cu cratițe, grile sau alte echipamente de bucătărie;
- nu lăsați grătare goale pe focul aprins pentru mai mult de 5 minute.

IMPORTANT: utilizarea necorespunzătoare a grătarelor poate duce la deteriorarea plitei: nu așezați grătarele cu susul în jos și nu le târați pe suprafața plitei.

ARZĂTOR	Ø OALĂ
Rapid	De la 24 la 26 cm
Semi-rapid	De la 16 la 22 cm
Auxiliar	De la 8 la 14 cm

Nu utilizați:

- Tigăi din fontă, plăci de piatră pentru gătit, oale sau cratițe din teracotă.
- Difuzoare de căldură, de tipul plaselor metalice sau de alte tipuri.
- Două arzătoare în același timp pentru un singur vas (de ex. o oală de fiert pește).

ADAPTAREA PENTRU DIFERITE TIPURI DE GAZ

⚠ Această operație trebuie să fie efectuată de un tehnician calificat.

Dacă aparatul trebuie să funcționeze cu un tip de gaz diferit de cel indicat pe plăcuța cu date tehnice și pe eticheta informativă de pe partea superioară a plitei, schimbați injectoarele. Înlăturați eticheta informativă și păstrați-o împreună cu manualul de instrucțiuni.

Folosiți regulatoare de presiune potrivite pentru presiunea gazului indicată în Instrucțiuni.

- Injectorul de gaz trebuie schimbat de Serviciul de asistență tehnică sau de un tehnician calificat.
- Injectorul care nu este furnizat împreună cu aparatul trebuie comandat de la Serviciul de asistență tehnică.
- Reglați poziția de minim a robinetelor.

NOTĂ: când se folosește gaz petrolier lichefiat (G30/G31), șurubul pentru reglarea debitului minim de gaz trebuie strâns cât de mult posibil.

IMPORTANT: dacă aveți dificultăți când rotiți butoanele arzătoarelor, vă rugăm să contactați Serviciul de asistență tehnică pentru înlocuirea robinetului arzătorului, dacă se constată că este defect.

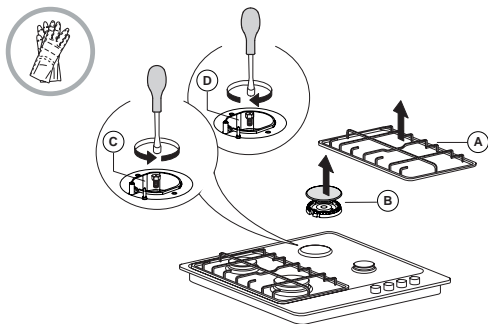
IMPORTANT: când se folosește alimentarea cu gaz de la butelie, butelia sau recipientul de gaz trebuie să fie așezate în mod adecvat (orientare verticală).

ÎNLOCUIREA INJECTOARELOR (consultați tabelul de injectoare din

Instrucțiuni privind siguranța)

⚠ Această operație trebuie să fie efectuată de un tehnician calificat.

- Scoateți grătarele (A).
- Extrageți arzătoarele (B).
- Folosind o cheie tubulară de dimensiuni corespunzătoare, deșurubați injectorul (C) care trebuie înlocuit.
- Înlocuiți-l cu injectorul potrivit pentru noul tip de gaz.
- Montați la loc injectorul în (D).



Înainte de a instala plita, nu uitați să montați plăcuța cu datele privind calibrarea gazului, livrată împreună cu injectoarele, astfel încât să acopere informațiile existente referitoare la calibrarea gazului.

CURĂȚAREA ȘI ÎNTREȚINEREA

⚠ Deconectați de la electricitate înainte de a efectua orice operație de întreținere.

CURĂȚAREA SUPRAFEȚEI PLITEI

- Toate piesele emailate și de sticlă trebuie curățate cu o soluție de apă caldă și detergent neutru.
- Suprafețele din oțel inoxidabil se pot păta din cauza apei calcaroase sau a detergentilor agresivi, dacă rămân în contact cu acestea prea mult timp. Resturile de mâncare căzute pe suprafață (apă, sos, cafea etc.) trebuie șterse înainte de a se usca.
- Curățați cu apă caldă și detergent neutru, apoi uscați cu o cârpă moale sau cu piele de câprioară. Îndepărtați resturile arse de mâncare cu ajutorul unor produse de curățare speciale pentru suprafețe din oțel inoxidabil.

NOTĂ: curățați oțelul inoxidabil numai cu o cârpă sau un burete moale.

- Nu utilizați produse abrazive sau corozive, produse pe bază de clor sau bureți de sârmă pentru vase.
- Nu utilizați aparate de curățat cu aburi.
- Nu folosiți produse inflamabile.
- Nu lăsați pe plită substanțe acide sau alcaline, cum ar fi oțet, muștar, sare, zahăr sau suc de lămâie.

REMEDIEREA DEFECȚIUNILOR

Dacă plita nu funcționează corect, înainte de a apela la Serviciul de asistență tehnică, consultați Ghidul de remediere a defecțiunilor pentru a stabili care este problema.

1. Arzătorul nu se aprinde sau flacăra nu este uniformă

Verificați următoarele:

- Alimentarea electrică sau cu gaz să nu fie oprită și, mai ales, robinetul de alimentare cu gaz să fie deschis.
- Butelia de gaz (gaz lichid) să nu fie goală.
- Orificiile arzătorului să nu fie înfundate.
- Capătul fișei să nu fie murdar.
- Toate piesele arzătorului să fie poziționate corect.
- Să nu existe curenți de aer în apropierea plitei.

2. Arzătorul nu rămâne aprins

Verificați următoarele:

- La aprinderea arzătorului, butonul să fie ținut apăsat destul timp, astfel încât să se activeze dispozitivul de protecție.

REGLAREA POZIȚIEI DE MINIM A ROBINETELOR

⚠ Această operație trebuie să fie efectuată de un tehnician calificat.

Reglajul trebuie efectuat cu robinetul în poziția de minim de gaz ● (flacăra mică).

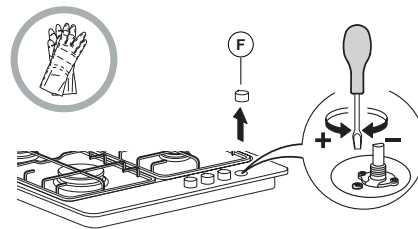
Aerul primar al arzătoarelor nu trebuie să fie reglat.

Pentru a vă asigura că poziția de minim este corect reglată, scoateți butonul (F) și procedați după cum urmează:

- strângeți șurubul pentru a reduce înălțimea flăcării (-);
- slăbiți șurubul pentru a mări înălțimea flăcării (+).

După aceasta, aprindeți arzătoarele și rotiți butoanele de la poziția de maxim

⊙ la poziția de minim ● pentru a verifica stabilitatea flăcării.



După terminarea operației de reglare, resigilați folosind ceară sau un material echivalent.

CURĂȚAREA COMPONENTELOR PLITEI

- Curățați sticla și piesele emailate numai cu o cârpă sau un burete moale.
- Grătarele, capacele arzătoarelor și arzătoarele pot fi scoase pentru a fi curățate.
- Curățați-le manual, cu apă caldă și detergent neabraziv, înlăturând cu grijă toate resturile de mâncare și verificând ca niciun orificiu al arzătorului să nu fie înfundat.
- Clătiți și uscați.
- **Grătarele din fontă pot fi curățate în mașina de spălat vase. Eliminați toate resturile alimentare arse înainte de a introduce grătarele în cel mai de jos coș al mașinii de spălat vase.**
- Puneți la loc arzătoarele și capacele arzătoarelor, în mod corect, în locașurile respective.
- Când puneți la loc grătarele, asigurați-vă că zona pe care se așează oalele este aliniată cu arzătorul.
- Modelele echipate cu fișe pentru aprindere electrică și cu dispozitiv de siguranță necesită o curățare atentă a capătului fișei pentru a asigura funcționarea corectă. Verificați frecvent aceste piese și, dacă este necesar, curățați-le cu o cârpă umedă. Resturile arse de mâncare trebuie îndepărtate cu o scobitoare sau cu un ac.

NOTĂ: pentru a evita deteriorarea dispozitivului de aprindere electrică, nu-l folosiți atunci când arzătoarele nu sunt în locașurile lor.

- Orificiile arzătorului să nu fie înfundate lângă termocuplu.
- Capătul dispozitivului de siguranță să nu fie murdar.
- Reglarea debitului minim de gaz să fie corectă (consultați paragraful respectiv).

3. Recipientele nu sunt stabile

Verificați următoarele:

- Fundul recipientului să fie perfect plat.
- Recipientul să fie centrat pe arzător.
- Grătarele să nu fie schimbate între ele sau poziționate incorect.

Dacă problema persistă și după verificările de mai sus, luați legătura cu cel mai apropiat Serviciu de asistență tehnică.

SERVICIUL DE ASISTENȚĂ TEHNICĂ POST-VÂNZARE

Pentru a beneficia de servicii complete de asistență, vă rugăm să vă înregistrați produsul pe www.indesit.com/register.

ÎNAINTEDEA CONTACTA SERVICIUL DE ASISTENȚĂ TEHNICĂ POSTVÂNZARE:

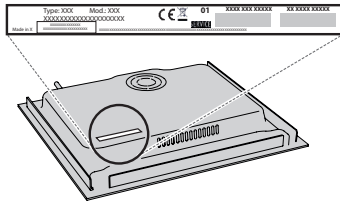
1. Încercați să rezolvați singuri problema, cu ajutorul recomandărilor din **GHIDUL DE REMEDIERE A DEFECTIUNILOR**.
2. Opriți și puneți din nou în funcțiune aparatul pentru a verifica dacă defecțiunea persistă.

DACĂ PROBLEMA PERSISTĂ CHIAR ȘI DUPĂ CONTROALELE MENȚIONATE, CONTACTAȚI CEL MAI APROPIAT SERVICIU DE ASISTENȚĂ TEHNICĂ POST-VÂNZARE.

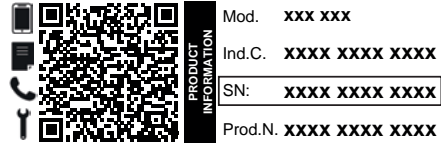
Pentru asistență, sunați la numărul de telefon specificat pe certificatul de garanție sau urmați instrucțiunile de pe site-ul web www.indesit.com.

Atunci când contactați serviciul de asistență tehnică post-vânzare, specificați întotdeauna:

- o scurtă descriere a defecțiunii;
- tipul și modelul exact al aparatului;



- numărul de serie (numărul de după cuvântul SN de pe plăcuța cu date tehnice, amplasată sub aparat). De asemenea, numărul de serie este indicat în documentație;



- adresa dumneavoastră completă;
- numărul dumneavoastră de telefon

Dacă sunt necesare orice fel de reparații, vă rugăm să contactați un serviciu de asistență tehnică post-vânzare autorizat (pentru a avea garanția că se folosesc piese de schimb originale și că reparațiile vor fi executate corect).

Politicele, documentația standard și informații suplimentare despre produs pot fi găsite:

- Utilizând codul QR de pe aparat;
- Vizitând site-ul nostru web docs.indesit.eu;
- Ca alternativă, **contactați serviciul nostru de asistență tehnică post-vânzare** (Consultați numărul de telefon din certificatul de garanție). Când contactați serviciul nostru de asistență tehnică post-vânzare, vă rugăm să precizați codurile specificate pe plăcuța cu date de identificare a produsului dumneavoastră.



⚠ Αυτές οι οδηγίες ισχύουν εάν εμφανίζεται στη συσκευή το σύμβολο της χώρας. Εάν το σύμβολο δεν εμφανίζεται στη συσκευή, πρέπει να ανατρέξετε στις τεχνικές οδηγίες που θα σας παρέχουν τις απαραίτητες οδηγίες για την τροποποίηση της συσκευής στην κατάσταση που απαιτείται για χρήση στη χώρα σας.

⚠ ΠΡΟΣΟΧΗ: Η χρήση της συσκευής μαγειρέματος με αέριο έχει ως αποτέλεσμα την παραγωγή θερμότητας, υγρασίας και προϊόντων καύσης στο χώρο όπου είναι εγκατεστημένη. Βεβαιωθείτε ότι η κουζίνα αερίζεται καλά ειδικά όταν η συσκευή βρίσκεται σε λειτουργία: διατηρείτε τις οπές εξαερισμού ανοιχτές ή εγκαταστήστε μια μηχανική συσκευή εξαερισμού (μηχανικός απορροφητήρας). Η παρατεταμένη εντατική χρήση της συσκευής μπορεί να απαιτεί περισσότερο εξαερισμό, όπως π.χ. το άνοιγμα του παραθύρου, ή πιο αποτελεσματικό εξαερισμό, αυξάνοντας το επίπεδο μηχανικού αερισμού (όταν υπάρχει).

⚠ Η μη ακριβής τήρηση των πληροφοριών σε αυτό το εγχειρίδιο μπορεί να προκαλέσει πυρκαγιά ή έκρηξη, με αποτέλεσμα υλικές ζημιές ή τραυματισμό. Πριν χρησιμοποιήσετε τη συσκευή, διαβάστε αυτές τις οδηγίες για την ασφάλεια. Φυλάξτε τις οδηγίες σε κοντινό σημείο για μελλοντική αναφορά.

Αυτές οι οδηγίες και η συσκευή περιλαμβάνουν σημαντικές προειδοποιήσεις σχετικά με την ασφάλεια, τις οποίες πρέπει να τηρείτε σε κάθε περίπτωση. Ο κατασκευαστής δεν φέρει καμία ευθύνη για τη μη τήρηση αυτών των οδηγιών ασφαλείας, για ακατάλληλη χρήση της συσκευής ή λανθασμένη ρύθμιση των χειριστηρίων.

⚠ ΠΡΟΕΙΔΟΠΟΙΗΣΗ: Αν η επιφάνεια της εστίας είναι ραγισμένη, μην χρησιμοποιείτε τη συσκευή – κίνδυνος ηλεκτροπληξίας.

⚠ ΠΡΟΕΙΔΟΠΟΙΗΣΗ: Κίνδυνος πυρκαγιάς: μην αποθηκεύετε στοιχεία στις επιφάνειες μαγειρέματος.

⚠ ΠΡΟΣΟΧΗ: Η διαδικασία μαγειρέματος πρέπει να παρακολουθείται. Μια σύντομη διαδικασία μαγειρέματος πρέπει να παρακολουθείται συνεχώς.

⚠ ΠΡΟΕΙΔΟΠΟΙΗΣΗ: Είναι επικίνδυνο να μαγειρεύετε με λίπη ή λάδι σε εστία χωρίς επιτήρηση - κίνδυνος πυρκαγιάς. Μην προσπαθείτε ΠΟΤΕ να σβήσετε μια φωτιά με νερό, αλλά σβήστε τη συσκευή και μετά καλύψτε τη φλόγα, π.χ. με ένα καπάκι ή μια πυρίμαχη κουβέρτα.

⚠ Μην χρησιμοποιείτε τη μονάδα εστιών ως επιφάνεια εργασίας. Διατηρείται τα ρούχα ή άλλα εύφλεκτα υλικά μακριά από τη συσκευή, έως ότου όλα τα εξαρτήματα να έχουν κρυώσει εντελώς - κίνδυνος πυρκαγιάς.

⚠ Τα πολύ μικρά παιδιά (0-3 ετών) πρέπει να διατηρούνται μακριά από τη συσκευή. Κρατήστε τα μικρά παιδιά (3-8 ετών) μακριά από τη συσκευή εκτός εάν επιτηρούνται διαρκώς. Η συσκευή μπορεί να χρησιμοποιηθεί από παιδιά ηλικίας 8 ετών και άνω ή άτομα με μειωμένες σωματικές, αισθητηριακές ή διανοητικές ικανότητες ή με έλλειψη εμπειρίας και γνώσης της συσκευής, μόνο εφόσον βρίσκονται υπό επιτήρηση ή έχουν λάβει οδηγίες σχετικά με την ασφαλή χρήση της συσκευής και κατανοούν τους

κινδύνους που συνεπάγεται. Τα παιδιά απαγορεύεται να παίζουν με τη συσκευή. Ο καθαρισμός και η συντήρηση από τον χρήστη δεν πρέπει να εκτελούνται από παιδιά χωρίς επιτήρηση.

⚠ ΠΡΟΣΟΧΗ: Σε περίπτωση θραύσης της γυάλινης πλάκας: απενεργοποιήστε αμέσως όλες τις εστίες και οποιαδήποτε ηλεκτρική αντίσταση και απομονώστε τη συσκευή από την παροχή ρεύματος, μην αγγίζετε την επιφάνεια της συσκευής, μην χρησιμοποιείτε τη συσκευή. Το γυάλινο καπάκι μπορεί να σπάσει αν ζεσταθεί. Σβήστε όλες τις εστίες και την ηλεκτρική πλάκα πριν κλείσετε το καπάκι. Μην κλείνετε το καπάκι όταν η εστία είναι αναμμένη.

⚠ ΠΡΟΕΙΔΟΠΟΙΗΣΗ: Η συσκευή και τα προσβάσιμα εξαρτήματά της μπορεί να ζεσταθούν κατά τη διάρκεια της χρήσης. Πρέπει να είστε προσεκτικοί, ώστε να αποφεύγετε τυχόν επαφή με τα θερμαντικά στοιχεία. Τα παιδιά κάτω των 8 ετών δεν πρέπει να πλησιάζουν τη συσκευή, εκτός εάν επιτηρούνται διαρκώς.

⚠ Το φαγητό δεν πρέπει να μείνει μέσα ή πάνω στο προϊόν για περισσότερο από μία ώρα πριν ή μετά το μαγείρεμα.

ΕΠΙΤΡΕΠΟΜΕΝΗ ΧΡΗΣΗ

⚠ ΠΡΟΣΟΧΗ: Η συσκευή δεν προορίζεται για χρήση σε συνδυασμό με εξωτερικό χρονοδιακόπτη ή ξεχωριστό σύστημα απομακρυσμένου ελέγχου.

⚠ Η συσκευή αυτή έχει σχεδιαστεί για οικιακή χρήση καθώς και για παρόμοιες χρήσεις όπως: χώροι κουζίνας προσωπικού σε καταστήματα, γραφεία και σε άλλους χώρους εργασίας, αγροκτήματα, από πελάτες σε ξενοδοχεία, μοτέλ, bed & breakfast και άλλους χώρους κατοικίας.

⚠ Δεν επιτρέπεται οποιαδήποτε άλλη χρήση (π.χ. θέρμανση δωματίων).

⚠ Αυτή η συσκευή δεν προορίζεται για επαγγελματική χρήση. Μην χρησιμοποιείτε τη συσκευή σε εξωτερικό χώρο.

⚠ Χρησιμοποιείτε κατασάρολες και τηγάνια με πλάτος βάσης ίσο ή ελαφρώς μεγαλύτερο (ανατρέξτε στον ειδικό πίνακα). Βεβαιωθείτε ότι οι κατασάρολες στις σχάρες δεν προεξέχουν από το άκρο της μονάδας εστιών.

⚠ Η ακατάλληλη χρήση των σχαρών μπορεί να προκαλέσει ζημιά στη μονάδα εστιών: μην τοποθετείτε τις σχάρες ανάποδα και μην τις σέρνετε επάνω στη μονάδα εστιών.

Η φλόγα του καυστήρα δεν πρέπει να εκτείνεται μετά το άκρο του σκεύους. Εάν η επιφάνεια της εστίας είναι από γυάλινο υλικό, μην χρησιμοποιείτε παιδιά από χυτοσίδηρο (μαντέμι), φυσική πέτρα, πήλινα σκεύη και τηγάνια.

Μην χρησιμοποιείτε: Αντικείμενα που προκαλούν διάχυση της θερμότητας όπως μεταλλικά πλέγματα ή άλλου τύπου. Δύο καυστήρες ταυτόχρονα για ένα σκεύος (π.χ. κατασάρολα για ψάρι).

Εάν η ανάφλεξη του καυστήρα είναι δύσκολη λόγω ειδικών τοπικών συνθηκών στην παροχή αερίου, συνιστάται να στρίψετε το κουμπί στη ρύθμιση μικρής φλόγας και να επαναλάβετε τη διαδικασία.

Σε περίπτωση εγκατάστασης απορροφητήρα επάνω από τη μονάδα εστιών, ανατρέξτε στις οδηγίες του απορροφητήρα για τη σωστή απόσταση.

τα προστατευτικά ελαστικά πόδια στις σχάρες μπορεί να προκαλέσουν τον πνιγμό μικρών παιδιών. Αφού αφαιρέσετε τις σχάρες, βεβαιωθείτε ότι όλα τα ποδαράκια είναι σωστά τοποθετημένα.

ΕΓΚΑΤΑΣΤΑΣΗ

⚠ Ο χειρισμός και η εγκατάσταση της συσκευής πρέπει να γίνονται από δύο ή περισσότερα άτομα - κίνδυνος τραυματισμού. Χρησιμοποιείτε γάντια προστασίας για να αφαιρέσετε τη συσκευασία και να κάνετε την εγκατάσταση - κίνδυνος κοψίματος.

⚠ Οι συνδέσεις ηλεκτρικού ρεύματος και αερίου πρέπει να συμμορφώνονται με τον τοπικό κανονισμό.

⚠ Η εγκατάσταση, συμπεριλαμβανομένης της παροχής νερού (εάν υπάρχει), τις ηλεκτρικές συνδέσεις και τις επισκευές, πρέπει να πραγματοποιούνται από τεχνικά εξειδικευμένο προσωπικό. Μην επισκευάζετε και μην αντικαθιστάτε κανένα εξάρτημα της συσκευής, εκτός εάν αναφέρεται ρητά στο εγχειρίδιο χρήσης. Κρατήστε τα παιδιά μακριά από το χώρο εγκατάστασης. Μετά από την αποσυσκευασία της συσκευής, βεβαιωθείτε ότι δεν έχει προκληθεί ζημιά σε αυτήν κατά τη μεταφορά. Σε περίπτωση προβλημάτων, επικοινωνήστε με τον αντιπρόσωπο ή με το τμήμα τεχνικής υποστήριξης πελατών. Μετά την εγκατάσταση, τα υλικά συσκευασίας (πλαστικά, φελιζόλ, κ.λπ.) πρέπει να φυλάσσονται μακριά από τα παιδιά - κίνδυνος ασφυξίας. Η συσκευή πρέπει να αποσυνδέεται από την ηλεκτρική τροφοδοσία πριν από κάθε εργασία εγκατάστασης - κίνδυνος ηλεκτροπληξίας. Κατά την εγκατάσταση, βεβαιωθείτε ότι δεν έχει προκληθεί ζημιά στο καλώδιο τροφοδοσίας από τη συσκευή - κίνδυνος πυρκαγιάς ή ηλεκτροπληξίας. Ενεργοποιήστε τη συσκευή μόνο εφόσον ολοκληρωθεί η εγκατάσταση.

⚠ ΠΡΟΕΙΔΟΠΟΙΗΣΗ: Η τροποποίηση της συσκευής και του τρόπου εγκατάστασης της είναι απαραίτητα προκειμένου η συσκευή να χρησιμοποιείται σωστά και με ασφάλεια σε όλες τις επιπλέον χώρες.

⚠ Χρησιμοποιήστε ρυθμιστές πίεσης κατάλληλους για την πίεση αερίου που αναφέρεται στις οδηγίες.

⚠ Ο χώρος πρέπει να διαθέτει σύστημα εξαγωγής αέρα που θα αποβάλλει τους καπνούς καύσης.

⚠ Ο χώρος πρέπει επίσης να επιτρέπει την κατάλληλη κυκλοφορία του αέρα, καθώς ο αέρας είναι απαραίτητος για την κανονική καύση. Η ροή του αέρα δεν πρέπει να είναι λιγότερη από 2 m³/h για kW εγκατεστημένης ισχύος.

⚠ Το σύστημα κυκλοφορίας αέρα μπορεί να λαμβάνει αέρα απευθείας από το εξωτερικό μέσω σωλήνα με εσωτερική διατομή τουλάχιστον 100 cm², το άνοιγμα δεν πρέπει να υπόκειται σε κανενός είδους έμφραξη.

⚠ Το σύστημα μπορεί επίσης να παρέχει τον αέρα που απαιτείται για καύση έμμεσα, δηλ. από γειτονικούς χώρους εξοπλισμένους με σωλήνες κυκλοφορίας αέρα όπως περιγράφεται παραπάνω. Ωστόσο, αυτοί οι χώροι δεν πρέπει να είναι κοινόχρηστα δωμάτια, υπνοδωμάτια ή δωμάτια που ενδέχεται να παρουσιάζουν κίνδυνο πυρκαγιάς.

⚠ Το LPG βυθίζεται στο πάτωμα καθώς είναι βαρύτερο από τον αέρα. Συνεπώς, τα δωμάτια που περιέχουν φιάλες LPG πρέπει να είναι εφοδιασμένα με εξαεριστήρες για να επιτρέπουν τη διαφυγή αερίου σε περίπτωση διαρροής. Ως εκ τούτου, οι φιάλες LPG, είτε

εντελώς γεμάτες ή εν μέρει γεμάτες, δεν πρέπει να εγκαθίστανται ή να αποθηκεύονται σε χώρους ή αποθηκευτικούς χώρους που βρίσκονται κάτω από το έδαφος (κελάρια κλπ.). Συνιστάται να διατηρείτε μόνο τη φιάλη που χρησιμοποιείτε στο χώρο, τοποθετημένη έτσι ώστε να μην υπόκειται σε θερμότητα που παράγεται από εξωτερικές πηγές (φούρνοι, τζάκια, θερμάστρες κ.λπ.) που θα μπορούσαν να αυξήσουν τη θερμοκρασία της φιάλης πάνω από τους 50 °C.

Εάν έχετε δυσκολία στην περιστροφή των διακοπών των καυστήρων, παρακαλούμε επικοινωνήστε με το σέρβις για την αντικατάσταση της στρόφιγγας του καυστήρα εάν βρεθεί ότι είναι ελαττωματική.

Τα ανοίγματα που χρησιμοποιούνται για εξαερισμό και για διάχυση της θερμότητας δεν πρέπει ποτέ να καλύπτονται.

⚠ Εκτελέστε όλες τις εργασίες κοπής του επίπλου πριν να τοποθετήσετε τη συσκευή στο περίβλημα και αφαιρέστε προσεκτικά όλα τα ροκανίδια και τα πριονίδια.

⚠ Αν η συσκευή δεν εγκατασταθεί πάνω σε ένα φούρνο, πρέπει να τοποθετηθεί ένα διαχωριστικό πάνελ (δεν περιλαμβάνεται) στο χώρο κάτω από τη συσκευή.

ΣΥΝΔΕΣΗ ΑΕΡΙΟΥ

⚠ ΠΡΟΕΙΔΟΠΟΙΗΣΗ: Πριν από την εγκατάσταση, βεβαιωθείτε ότι οι τοπικές συνθήκες διανομής (τύπος αερίου και πίεση αερίου) και η ρύθμιση της συσκευής είναι συμβατά.

⚠ Βεβαιωθείτε ότι η πίεση παροχής αερίου είναι σύμφωνη με τις τιμές που υποδεικνύονται στον Πίνακα ("Χαρακτηριστικά καυστήρα και ακροφυσίου").

⚠ ΠΡΟΕΙΔΟΠΟΙΗΣΗ: Οι συνθήκες ρύθμισης αυτής της συσκευής αναγράφονται στην ετικέτα (ή στην πινακίδα στοιχείων).

⚠ ΠΡΟΕΙΔΟΠΟΙΗΣΗ: Η συσκευή αυτή δεν είναι συνδεδεμένη σε σύστημα εξαγωγής προϊόντων καύσης. Πρέπει να εγκατασταθεί και να συνδεθεί σύμφωνα με τους ισχύοντες κανονισμούς εγκατάστασης. Ιδιαίτερη προσοχή θα πρέπει να δοθεί στις απαιτήσεις σχετικά με τον αερισμό.

⚠ Αν η συσκευή συνδέεται με υγραέριο, πρέπει να σφίξετε τη βίδα ρύθμισης όσο το δυνατόν πιο σφιχτά.

⚠ ΣΗΜΑΝΤΙΚΟ: Εάν χρησιμοποιείται φιάλη αερίου, η δοχείο αερίου πρέπει να στηρίζεται σωστά (κάθετος προσανατολισμός).

⚠ ΠΡΟΕΙΔΟΠΟΙΗΣΗ: Αυτή η λειτουργία πρέπει να διεξαχθεί από εξειδικευμένο τεχνικό.

⚠ Χρησιμοποιήστε μόνο εύκαμπτο ή άκαμπτο μεταλλικό σωλήνα για τη σύνδεση αερίου.

⚠ Σύνδεση με άκαμπτο σωλήνα (από χαλκό ή χάλυβα) Η σύνδεση με το σύστημα αερίου πρέπει να γίνεται με τέτοιο τρόπο ώστε να μην υπάρχει κανενός είδους πίεση για τη συσκευή. Υπάρχει ένα ρυθμιζόμενο εξάρτημα σωλήνα σχήματος L στη γραμμή τροφοδοσίας της συσκευής και αυτό είναι εφοδιασμένο με μια τσιμούχα προκειμένου να αποφεύγονται οι διαρροές. Η τσιμούχα πρέπει πάντα να αντικαθίσταται μετά την περιστροφή του σωλήνα (η τσιμούχα παρέχεται με τη συσκευή). Το εξάρτημα του σωλήνα τροφοδοσίας αερίου είναι ένα κυλινδρικό αρσενικό εξάρτημα με σπείρωμα 1/2 αερίου.

⚠ Σύνδεση εύκαμπτου αγωγού από ανοξειδωτο χάλυβα σε σύνδεσμο με σπείρωμα. Το εξάρτημα του σωλήνα τροφοδοσίας αερίου είναι ένα κυλινδρικό αρσενικό εξάρτημα με 1/2 σπείρωμα αερίου. Οι σωλήνες αυτοί πρέπει να εγκατασταθούν έτσι ώστε να μην υπερβαίνουν ποτέ τα 2000 mm κατά την πλήρη επέκτασή τους. Μόλις ολοκληρωθεί η σύνδεση, βεβαιωθείτε ότι ο εύκαμπτος μεταλλικός σωλήνας δεν έρχεται σε επαφή με κινούμενα μέρη και δεν συμπιέζεται. Χρησιμοποιείτε μόνο σωλήνες και τσιμούχες που συμμορφώνονται με τους ισχύοντες εθνικούς κανονισμούς.

⚠ ΣΗΜΑΝΤΙΚΟ: Εάν χρησιμοποιηθεί σωλήνας από ανοξειδωτο χάλυβα, πρέπει να τοποθετηθεί με τρόπο που να μην αγγίζει οποιοδήποτε κινούμενο σημείο της επίπλωσης. Πρέπει να δρομολογηθεί μέσω περιοχής χωρίς εμπόδια ώστε να μπορεί να ελεγχθεί σε ολόκληρο το μήκος του.

⚠ Η συσκευή πρέπει να συνδέεται στην κύρια τροφοδοσία αερίου ή στην φιάλη αερίου σύμφωνα με τους ισχύοντες εθνικούς κανονισμούς. Πριν κάνετε τη σύνδεση, βεβαιωθείτε ότι η συσκευή είναι συμβατή με την παροχή αερίου που θέλετε να χρησιμοποιήσετε. Εάν δεν συμβαίνει αυτό, ακολουθήστε τις οδηγίες που αναφέρονται στην παράγραφο «Προσαρμογή σε διαφορετικούς τύπους αερίου».

⚠ Μετά τη σύνδεση στην παροχή αερίου, ελέγξτε για διαρροές χρησιμοποιώντας διάλυμα σαπουνιού σε νερό. Ανάψτε τους καυστήρες και περιστρέψτε τους διακόπτες από τη θέση μέγιστης ρύθμισης 1* στη θέση ελάχιστης ρύθμισης 2*, για να ελέγξετε τη σταθερότητα της φλόγας.

ΠΡΟΣΑΡΜΟΓΗ ΣΕ ΔΙΑΦΟΡΕΤΙΚΟΥΣ ΤΥΠΟΥΣ ΑΕΡΙΟΥ
(Η εργασία αυτή πρέπει να πραγματοποιείται από εξειδικευμένο τεχνικό).

⚠ Προκειμένου να προσαρμόσετε τη συσκευή σε έναν τύπο αερίου διαφορετικό από τον τύπο για τον οποίο κατασκευάστηκε (αναγράφεται στην ετικέτα διαβάθμισης), ακολουθήστε τα ειδικά βήματα που υποδεικνύονται με τα σχέδια τοποθέτησης.

ΗΛΕΚΤΡΙΚΕΣ ΠΡΟΕΙΔΟΠΟΙΗΣΕΙΣ

⚠ ΣΗΜΑΝΤΙΚΟ: Πληροφορίες σχετικά με την κατανάλωση ρεύματος και τάσης παρέχονται στην πινακίδα τεχνικών χαρακτηριστικών.

⚠ Πρέπει να είναι δυνατή η αποσύνδεση της συσκευής από την ηλεκτρική τροφοδοσία με αφαίρεση του φινιρίσματος εάν η πρίζα είναι προσβάσιμη ή με χρήση του πολυπολικού διακόπτη που έχει εγκατασταθεί πριν από την πρίζα σύμφωνα με τα εθνικά πρότυπα ηλεκτρικής ασφάλειας και η συσκευή πρέπει να διαθέτει γείωση με βάση τα εθνικά πρότυπα ασφαλείας.

⚠ Το καλώδιο τροφοδοσίας πρέπει να έχει επαρκές μήκος ώστε να είναι δυνατή η σύνδεση της εντοιχισμένης συσκευής στην πρίζα. Μην τραβάτε το καλώδιο τροφοδοσίας.

⚠ Μην χρησιμοποιείτε καλώδια προέκτασης (μπαλαντέζες), πολύπριζα ή προσαρμογείς. Μετά την

ολοκλήρωση της εγκατάστασης, δεν πρέπει να είναι δυνατή η πρόσβαση στα ηλεκτρικά εξαρτήματα. Μην χρησιμοποιείτε τη συσκευή όταν είστε βρεγμένοι ή με γυμνά πόδια. Μην χρησιμοποιήσετε τη συσκευή εάν έχει φθαρεί το ηλεκτρικό καλώδιο ή το φινιρίσμα, εάν δεν λειτουργεί κανονικά, εάν έχει πέσει ή εάν έχει υποστεί άλλη ζημιά.

⚠ Εάν το καλώδιο τροφοδοσίας έχει υποστεί ζημιά, πρέπει να αντικατασταθεί από τον κατασκευαστή, τον αντιπρόσωπο τεχνικής υποστήριξης ή άλλα καταρτισμένα άτομα, ώστε να αποφευχθούν τυχόν κίνδυνοι - κίνδυνος ηλεκτροπληξίας.


ΚΑΘΑΡΙΣΜΟΣ ΚΑΙ ΣΥΝΤΗΡΗΣΗ

⚠ ΠΡΟΕΙΔΟΠΟΙΗΣΗ: Πριν από οποιαδήποτε εργασία συντήρησης, βεβαιωθείτε ότι η συσκευή είναι σβηστή και αποσυνδεδεμένη από το δίκτυο τροφοδοσίας. Ποτέ μην χρησιμοποιείτε συσκευές καθαρισμού με ατμό - κίνδυνος ηλεκτροπληξίας.

⚠ Μην χρησιμοποιείτε αποξεστικά ή διαβρωτικά προϊόντα, καθαριστικά με βάση τη χλωρίνη ή συρμάτινα σφουγγαράκια.

⚠ Για να αποφύγετε τυχόν ζημιά στην ηλεκτρική ανάφλεξη, μην την χρησιμοποιείτε όταν οι καυστήρες δεν βρίσκονται στις υποδοχές τους.

ΑΠΟΡΡΙΨΗ ΥΛΙΚΩΝ ΣΥΣΚΕΥΑΣΙΑΣ


Τα υλικά της συσκευασίας είναι 100% ανακυκλώσιμα και φέρουν το σύμβολο της ανακύκλωσης .

Τα διάφορα μέρη της συσκευασίας πρέπει συνεπώς να απορρίπτονται με υπευθυνότητα και σε πλήρη συμμόρφωση με τους κανονισμούς της τοπικής δημοτικής αρχής όσον αφορά τη διάθεση αποβλήτων.

ΑΠΟΡΡΙΨΗ ΗΛΕΚΤΡΙΚΩΝ ΟΙΚΙΑΚΩΝ ΣΥΣΚΕΥΩΝ

Η συσκευή αυτή έχει κατασκευαστεί από ανακυκλώσιμα ή επαναχρησιμοποιήσιμα υλικά. Απορρίψτε σύμφωνα με τους κανονισμούς των τοπικών αρχών. Για περαιτέρω πληροφορίες σχετικά με την επεξεργασία, την ανάκτηση και την ανακύκλωση των ηλεκτρικών οικιακών συσκευών, επικοινωνήστε με τις αρμόδιες τοπικές αρχές, την υπηρεσία συλλογής οικιακών αποβλήτων ή το κατάστημα από όπου αγοράσατε αυτό το προϊόν. Αυτή η συσκευή επισημαίνεται σύμφωνα με την Ευρωπαϊκή Οδηγία 2012/19/ΕΕ, Απόβλητα Ηλεκτρικού και Ηλεκτρονικού Εξοπλισμού (ΑΗΗΕ) και με τους κανονισμούς 2013 για τα Απόβλητα Ηλεκτρικού και Ηλεκτρονικού Εξοπλισμού (όπως τροποποιήθηκε).

Εξασφαλίζοντας τη σωστή απόρριψη αυτού του προϊόντος, θα βοηθήσετε στην αποτροπή των πιθανά βλαβερών συνεπειών για το περιβάλλον και την ανθρώπινη υγεία.

Το σύμβολο  στο προϊόν ή στα συνοδευτικά έντυπα υποδεικνύει ότι πρέπει να αντιμετωπίζεται ως οικιακό απόρριμμα αλλά πρέπει να μεταφέρετε στο κατάλληλο κέντρο συλλογής για ανακύκλωση ηλεκτρονικού και ηλεκτρικού εξοπλισμού.

ΣΥΜΒΟΥΛΕΣ ΓΙΑ ΕΞΟΙΚΟΝΟΜΗΣΗ ΕΝΕΡΓΕΙΑΣ

Χρησιμοποιείτε καταρρόλες και τηγάνια με διάμετρο βάσης ίση με τη διάμετρο της εστίας.

Χρησιμοποιήστε μόνο καταρρόλες και τηγάνια με επίπεδη βάση.

Εάν είναι δυνατό, διατηρείτε τα σκεύη σκεπασμένα κατά το μαγείρεμα.

Η χρήση χύτρας ταχύτητας μειώνει ακόμη περισσότερο την κατανάλωση ενέργειας και το χρόνο μαγειρέματος.

ΔΗΛΩΣΗ ΣΥΜΜΟΡΦΩΣΗΣ

Η συσκευή αυτή πληροί τις απαιτήσεις οικολογικού σχεδιασμού του Ευρωπαϊκού κανονισμού 66/2014 και τον οικολογικό σχεδιασμό για σχετικά με την ενέργεια προϊόντα και ενεργειακές πληροφορίες (Τροποποίηση) (ΕΕ Exit) Κανονισμοί 2019, σύμφωνα με το Ευρωπαϊκό πρότυπο EN 30-2-1.

Οι πληροφορίες σχετικά με τη λειτουργία χαμηλής κατανάλωσης ενέργειας της συσκευής σύμφωνα με τον κανονισμό (ΕΕ) 2023/826 βρίσκονται στον ακόλουθο σύνδεσμο: <https://docs.emeeappliance-docs.eu>.

Τύπος χρησιμοποιούμενου αερίου	Τύπος καυστήρα	Ένδειξη ακροφυσίου	Ονομαστική θερμική ροή kW	Ονομαστική κατανάλωση	Μειωμένη θερμική ικανότητα kW	Πίεση αερίου mbar		
						ελαχ.	ονομ.	μέγ.
ΦΥΣΙΚΟ ΑΕΡΙΟ (Μεθάνιο) G20	Ταχύς (R)	115 Y	3,00	286 λίτρα/ώρα	0,75	17	20	25
	Ημι-ταχύς (SR)	95 Z	1,65	157 λίτρα/ώρα	0,40			
	Βοηθητικός (AUX)	72 X	1,00	95 λίτρα/ώρα	0,40			
ΥΓΡΑΕΡΙΟ (Βουτάνιο) G30	Ταχύς (R)	85	3,00	218 γρ./ώρα	0,75	20	28-30	35
	Ημι-ταχύς (SR)	63	1,65	120 γρ./ώρα	0,40			
	Βοηθητικός (AUX)	50	1,00	73 γρ./ώρα	0,40			
ΥΓΡΑΕΡΙΟ (Προπάνιο) G31	Ταχύς (R)	85	3,00	214 γρ./ώρα	0,75	25	37	45
	Ημι-ταχύς (SR)	63	1,65	118 γρ./ώρα	0,40			
	Βοηθητικός (AUX)	50	1,00	71 γρ./ώρα	0,40			

Τύπος χρησιμοποιούμενου αερίου	Διαμόρφωση μοντέλου 4 ΚΑΥΣΤΗΡΕΣ	Ονομαστική θερμική ροή (kW)	Συνολική ονομαστική κατανάλωση	Αέρας που απαιτείται (m ³) για καύση 1m ³ αερίου
G20 20 mbar	1R - 2SR - 1AUX	7,30	695 λίτρα/ώρα	9,52
G30 28-30 mbar	1R - 2SR - 1AUX	7,30	531 γρ./ώρα	30,94
G31 37 mbar	1R - 2SR - 1AUX	7,30	521 γρ./ώρα	23,80

ΗΛΕΚΤΡΙΚΗ ΠΑΡΟΧΗ: 220-240 V ~ 50-60 Hz - 0,6 W

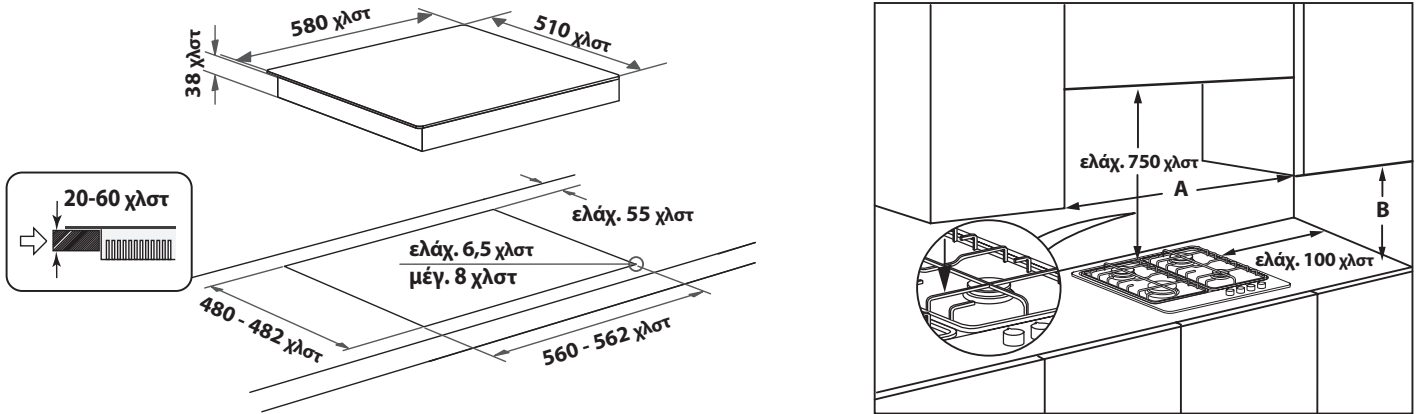


ΕΓΚΑΤΑΣΤΑΣΗ (ΚΑΤΗΓΟΡΙΑ 3)

ΤΕΧΝΙΚΕΣ ΠΛΗΡΟΦΟΡΙΕΣ ΓΙΑ ΤΟΝ ΤΕΧΝΙΚΟ ΕΓΚΑΤΑΣΤΑΣΗΣ

- Χρησιμοποιήστε προστατευτικά γάντια για το χειρισμό, την προετοιμασία και την εγκατάσταση του προϊόντος.
- Το προϊόν αυτό μπορεί να εντοιχιστεί σε πάγκο εργασίας πάχους 20 έως 60 χλσ.
- Εάν δεν υπάρχει φούρνος κάτω από τη μονάδα εστιών, τοποθετήστε μια διαχωριστική επιφάνεια τουλάχιστον ίση με το άνοιγμα στον πάγκο εργασίας. Η επιφάνεια αυτή πρέπει να τοποθετηθεί σε απόσταση το πολύ 150 χλσ. κάτω από την επάνω επιφάνεια του πάγκου εργασίας, αλλά σε καμία περίπτωση σε απόσταση μικρότερη από 20 χλσ. από το κάτω μέρος της μονάδας εστιών. Εάν πρόκειται να εγκαταστήσετε φούρνο κάτω από τη μονάδα εστιών, βεβαιωθείτε ότι ο φούρνος διαθέτει σύστημα ψύξης.

ΔΙΑΣΤΑΣΕΙΣ ΚΑΙ ΑΠΟΣΤΑΣΕΙΣ ΠΟΥ ΠΡΕΠΕΙ ΝΑ ΤΗΡΟΥΝΤΑΙ



ΣΗΜΕΙΩΣΗ: Αν η απόσταση "Α" ανάμεσα στα τοιχώματα του ντουλαπιού είναι από 600 χλσ. έως 730 χλσ., το ύψος "Β" πρέπει να είναι τουλάχιστον 530 χλσ. Αν η απόσταση "Α" ανάμεσα στα τοιχώματα του ντουλαπιού είναι μεγαλύτερη από το πλάτος της μονάδας εστιών, το ύψος "Β" πρέπει να είναι τουλάχιστον 400 χλσ.

Σε περίπτωση εγκατάστασης απορροφητήρα επάνω από τη μονάδα εστιών, ανατρέξτε στις οδηγίες του απορροφητήρα για τη σωστή απόσταση.

ΣΥΝΑΡΜΟΛΟΓΗΣΗ

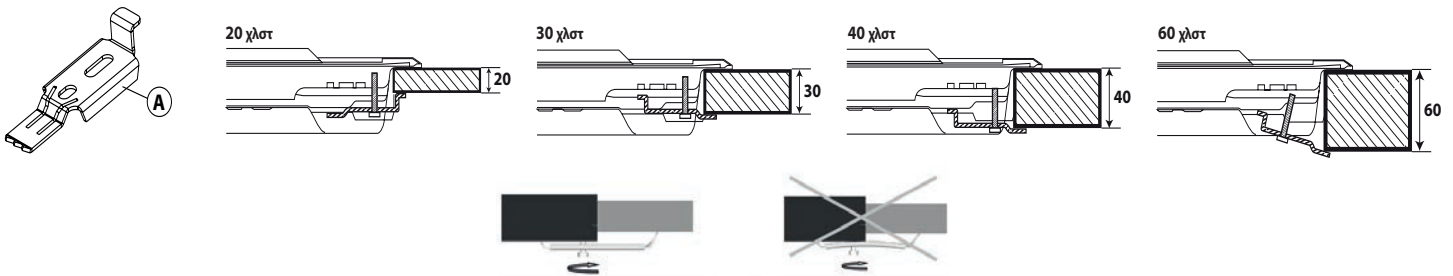
Αφού καθαρίσετε την περιμετρική επιφάνεια, τοποθετήστε την παρεχόμενη φλάντζα στην εστία όπως φαίνεται στην εικόνα.



Τοποθετήστε τη μονάδα εστιών στο άνοιγμα του πάγκου εργασίας που κατασκευάστηκε σύμφωνα με τις διαστάσεις που αναφέρονται στις οδηγίες.

ΣΗΜΕΙΩΣΗ: το καλώδιο τροφοδοσίας πρέπει να είναι αρκετά μακρύ ώστε να επιτρέπει την προς τα επάνω δρομολόγησή του.

Για τη στήριξη της μονάδας εστιών, χρησιμοποιήστε τα παρεχόμενα στηρίγματα (Α). Τοποθετήστε τα στηρίγματα στις αντίστοιχες οπές που απεικονίζονται με το βέλος και σφίξτε τα με τις βίδες τους ανάλογα με το πάχος του πάγκου εργασίας (ανατρέξτε στις παρακάτω εικόνες).

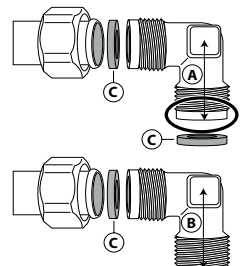


ΣΥΝΔΕΣΗ ΑΕΡΙΟΥ

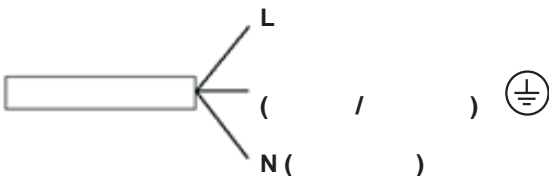
- Συνδέστε την παρεχόμενη γώνια (Α)* ή (Β)* στον κύριο σωλήνα εισόδου της μονάδας εστιών και παρεμβάλετε τη ροδέλα (C) σε συμμόρφωση με το πρότυπο EN 549.

* Χρησιμοποιήστε τη γώνια (Α) για τη Γαλλία και τη γώνια (Β) για όλες τις υπόλοιπες χώρες.

- Μετά τη σύνδεση στην παροχή αερίου, ελέγξτε για διαρροές χρησιμοποιώντας διάλυμα σαπουνιού σε νερό. Ανάψτε τους καυστήρες και στρίψτε τα κουμπιά από τη θέση μέγιστης ρύθμισης (⊕) στη θέση ελάχιστης ρύθμισης (●) για να ελέγξετε τη σταθερότητα της φλόγας.



ΣΥΝΔΕΣΗ ΑΕΡΙΟΥ

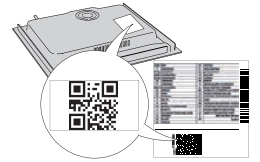
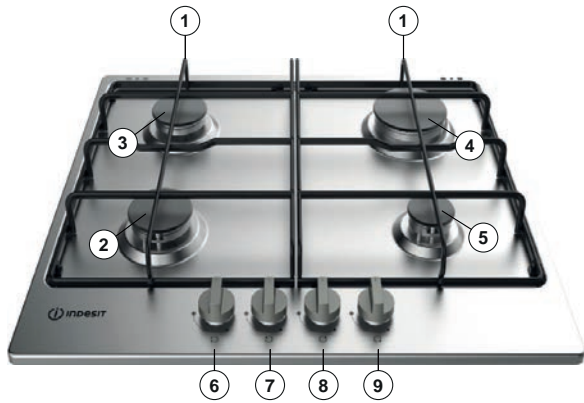


**ΣΑΣ ΕΥΧΑΡΙΣΤΟΥΜΕ ΠΟΥ ΑΓΟΡΑΣΑΤΕ ΕΝΑ ΠΡΟΪΟΝ INDESIT**

Για να λάβετε πλήρη τεχνική υποστήριξη, παρακαλούμε να καταχωρίσετε τη συσκευή σας στην ιστοσελίδα www.indesit.com/register.



Διαβάστε τις οδηγίες για την ασφάλεια προσεκτικά πριν χρησιμοποιήσετε τη συσκευή.

ΣΑΡΩΣΤΕ ΤΟΝ ΚΩΔΙΚΟ QR ΣΤΗ ΣΥΣΚΕΥΗ ΣΑΣ ΓΙΑ ΠΕΡΙΣΣΟΤΕΡΕΣ ΠΛΗΡΟΦΟΡΙΕΣ**ΠΕΡΙΓΡΑΦΗ ΠΡΟΪΟΝΤΟΣ**

1. Αφαιρούμενες σχάρες στήριξης σκευών
2. Ημι-ταχύς καυστήρας
3. Ημι-ταχύς καυστήρας
4. Ταχύς καυστήρας
5. Βοηθητικός καυστήρας
6. Κουμπί ημι-ταχύς καυστήρα
7. Κουμπί ημι-ταχύς καυστήρα
8. Κουμπί ελέγχου Ταχύς καυστήρα
9. Κουμπί ελέγχου βοηθητικού καυστήρα

Σύμβολα

- Κύκλος με σκίαση ● Κλειστή στρόφιγγα
- Μεγάλη φλόγα ☉ Μέγιστο άνοιγμα/παροχή και ηλεκτρική ανάφλεξη
- Μικρή φλόγα ● Ελάχιστο άνοιγμα ή μειωμένη παροχή

ΚΑΘΗΜΕΡΙΝΗ ΧΡΗΣΗ**ΤΡΟΠΟΣ ΧΡΗΣΗΣ ΤΗΣ ΜΟΝΑΔΑΣ ΕΣΤΙΩΝ**

⚠ Η φλόγα του καυστήρα δεν πρέπει να εκτείνεται πέρα από την άκρη του σκεύους.

ΣΗΜΑΝΤΙΚΟ: όταν χρησιμοποιείται η μονάδα εστιών, ενδεχεται να ζεσταθεί ολοκληρή η περιοχή της μονάδας εστιών.

- Για να ανάψετε τους καυστήρες, στρίψτε το αντίστοιχο κουμπί προς τα αριστερά στη ρύθμιση μέγιστης φλόγας.
- Πατήστε το κουμπί στον πίνακα ελέγχου για να ανάψει ο καυστήρας.
- Αφού ανάψει ο καυστήρας, κρατήστε το κουμπί πατημένο για περίπου 5-10 δευτερόλεπτα ώστε να λειτουργήσει σωστά η διάταξη.
- Αυτή η διάταξη ασφαλείας του καυστήρα διακόπτει την παροχή αερίου προς τον καυστήρα εάν η φλόγα σβήσει κατά λάθος (λόγω ξαφνικού ρεύματος αέρα, διακοπής στην παροχή αερίου, υπερχειλίσης υγρού που βράζει κλπ.).
- **Μην πατάτε το κουμπί για περισσότερο από 15 δευτερόλεπτα. Εάν μετά το διάστημα αυτό ο καυστήρας δεν παραμένει αναμμένος, περιμένετε τουλάχιστον ένα λεπτό πριν επιχειρήσετε να τον ανάψετε ξανά.**

ΣΗΜΕΙΩΣΗ: Εάν η ανάφλεξη του καυστήρα είναι δύσκολη λόγω ειδικών τοπικών συνθηκών στην παροχή αερίου, συνιστάται να στρίψετε το κουμπί στη ρύθμιση μικρής φλόγας και να επαναλάβετε τη διαδικασία.

Ο καυστήρας μπορεί να σβήσει όταν αφήσετε το κουμπί. Αυτό σημαίνει ότι η διάταξη ασφαλείας δεν έχει ζεσταθεί αρκετά. Στην περίπτωση αυτή, επαναλάβετε τη διαδικασία που περιγράφεται παρακάτω.

Στην περίπτωση τυχαίου σβήσιματος των φλογών του καυστήρα, κλείστε τον επιλογέα χειρισμού και ξαναπροσπαθήστε το άναμμα μετά από τουλάχιστον 1 λεπτό.

ΠΡΑΚΤΙΚΕΣ ΣΥΜΒΟΥΛΕΣ ΓΙΑ ΤΗ ΧΡΗΣΗ ΤΩΝ ΚΑΥΣΤΗΡΩΝ

Αυτή η μονάδα εστιών διαθέτει καυστήρες διαφορετικής διαμέτρου. Για τη βέλτιστη απόδοση των καυστήρων, τηρήστε τους παρακάτω κανόνες:

- Χρησιμοποιήστε κατσαρόλες και τηγάνια με πλάτος βάσης ίσο ή ελαφρώς μεγαλύτερο από τους καυστήρες (ανατρέξτε στον πίνακα στα δεξιά);
- Χρησιμοποιήστε μόνο κατσαρόλες και τηγάνια με επίπεδη βάση;
- Χρησιμοποιήστε τη σωστή ποσότητα νερού για το μαγείρεμα των φαγητών και διατηρείτε τις κατσαρόλες σκεπασμένες;
- Βεβαιωθείτε ότι οι κατσαρόλες στις σχάρες δεν προεξέχουν από την άκρη της μονάδας εστιών.
- Για σκεύη με κυρτή βάση (WOK), χρησιμοποιήστε την ειδική σχάρα στήριξης που παρέχεται, η οποία πρέπει να τοποθετείται μόνο στους καυστήρες πολλαπλών δακτυλίων φλόγας.
- Αποφύγετε τυχαία χτυπήματα με κατσαρόλες ή άλλα σκεύη κουζίνας.
- Μην αφήνετε τηγάνια γκριλ στο φούρνο αναμμένο για περισσότερο από 5 λεπτά.

ΣΗΜΑΝΤΙΚΟ: Η ακατάλληλη χρήση των σχαρών μπορεί να προκαλέσει ζημιά στη μονάδα εστιών: μην τοποθετείτε τις σχάρες ανάποδα και μην τις σέρνετε επάνω στη μονάδα εστιών.

ΚΑΥΣΤΗΡΑΣ	Ø ΚΑΤΣΑΡΟΛΑΣ
Ταχύς	Από 24 έως 26 εκ.
Ημι-ταχύς	Από 16 έως 22 εκ.
Βοηθητικός	Από 8 έως 14 εκ.

Μην χρησιμοποιείτε:

- Πλάκες ψησίματος από χυτοσίδηρο, σκεύη από φυσική πέτρα, κεραμικές κατσαρόλες και τηγάνια;
- Αντικείμενα που προκαλούν διάχυση της θερμότητας όπως μεταλλικά πλέγματα ή άλλου τύπου;
- Δύο καυστήρες ταυτόχρονα για ένα σκεύος (π.χ. κατσαρόλα για ψάρι).

ΠΡΟΣΑΡΜΟΓΗ ΣΕ ΔΙΑΦΟΡΕΤΙΚΟΥΣ ΤΥΠΟΥΣ ΑΕΡΙΟΥ

⚠ Η εργασία αυτή πρέπει να γίνει από εξειδικευμένο τεχνικό.

Εάν η συσκευή πρόκειται να χρησιμοποιηθεί με αέριο διαφορετικό από τον τύπο του αερίου που αναγράφεται στην πινακίδα τεχνικών στοιχείων και στην ετικέτα πληροφοριών στο επάνω μέρος της μονάδας εστιών, αντικαταστήστε τα μπεκ. Αφαιρέστε την ετικέτα πληροφοριών και φυλάξτε την μαζί με το εγχειρίδιο οδηγιών.

Χρησιμοποιήστε ρυθμιστές πίεσης κατάλληλους για την πίεση αερίου που αναφέρεται στις οδηγίες:

- Το ακροφύσιο αερίου πρέπει να αντικατασταθεί από συνεργάτη μας μέσω του κέντρου εξυπηρέτησης πελατών ή από εξειδικευμένο τεχνικό;
- Τα ακροφύσια που δεν παρέχεται με τη συσκευή πρέπει να τα παραγγείλετε από το κέντρο εξυπηρέτησης πελατών;
- Προσαρμόστε την ελάχιστη ρύθμιση για τις στρόφιγγες.

ΣΗΜΕΙΩΣΗ: Εάν χρησιμοποιείται υγραέριο (G30/G31), η βίδα ελάχιστης ρύθμισης αερίου πρέπει να σφιχτεί μέχρι τέρμα.

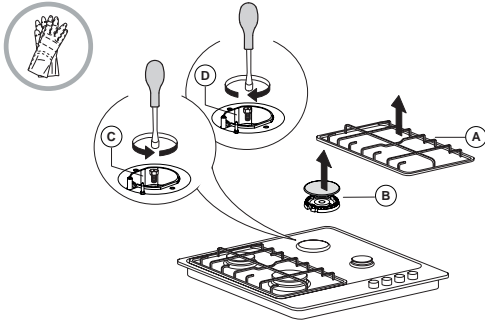
ΣΗΜΑΝΤΙΚΟ: Εάν δυσκολεύεστε κατά το στρίψιμο των κουμπιών των καυστήρων, επικοινωνήστε με το κέντρο εξυπηρέτησης πελατών για την αντικατάσταση της στρόφιγγας του καυστήρα εάν διαπιστωθεί ότι είναι ελαττωματική.

ΣΗΜΑΝΤΙΚΟ: Εάν χρησιμοποιείται φιάλη αερίου, η φιάλη πρέπει να στηρίζεται σωστά (κάθετος προσανατολισμός).

ΑΝΤΙΚΑΤΑΣΤΑΣΗ ΤΩΝ ΜΠΕΚ (ανατρέξτε στον πίνακα των μπεκ στις Οδηγίες για την ασφάλεια)

⚠ Η εργασία αυτή πρέπει να γίνει από εξειδικευμένο τεχνικό.

- Αφαιρέστε τις σχάρες (A).
- Αφαιρέστε τους καυστήρες (B).
- Χρησιμοποιώντας σωληνωτό κλειδί κατάλληλου μεγέθους, ξεβιδώστε (C) το μπεκ που χρειάζεται αντικατάσταση.
- Αντικαταστήστε το με μπεκ κατάλληλο για τον νέο τύπο αερίου.
- Συναρμολογήστε το μπεκ στο (D).



Πριν εγκαταστήσετε τη μονάδα εστιών, στερεώστε την πινακίδα βαθμονόμησης αερίου που παρέχεται με τα μπεκ με τρόπο που να καλύπτει τις υπάρχουσες πληροφορίες για τη βαθμονόμηση του αερίου.

ΚΑΘΑΡΙΣΜΟΣ ΚΑΙ ΣΥΝΤΗΡΗΣΗ

⚠ Αποσυνδέστε τη συσκευή από το ηλεκτρικό δίκτυο.

ΚΑΘΑΡΙΣΜΟΣ ΤΗΣ ΕΠΙΦΑΝΕΙΑΣ ΤΗΣ ΜΟΝΑΔΑΣ ΕΣΤΙΩΝ

- Όλα τα εμαγιέ και γυάλινα εξαρτήματα πρέπει να καθαρίζονται με διάλυμα ζεστού νερού και ουδέτερου απορρυπαντικού.
- Το σκληρό νερό και τα διαβρωτικά απορρυπαντικά μπορεί να προκαλέσουν κηλίδες στις επιφάνειες από ανοξείδωτο χάλυβα σε περίπτωση παρατεταμένης επαφής. Καθαρίζετε αμέσως τα υγρά που χύνονται (νερό, σάλτσα, καφές κ.λπ.) πριν στεγνώσουν.
- Καθαρίστε την επιφάνεια με διάλυμα ζεστού νερού και ουδέτερου απορρυπαντικού και σκουπίστε την με μαλακό πανί ή δέρμα. Απομακρύνετε τα υπολείμματα που έχουν ξεραθεί με ειδικό καθαριστικό για επιφάνειες από ανοξείδωτο χάλυβα.

ΣΗΜΕΙΩΣΗ: Καθαρίζετε τις επιφάνειες από ανοξείδωτο χάλυβα μόνο με μαλακό πανί ή σφουγγάρι.

- Μην χρησιμοποιείτε αποξεστικά ή διαβρωτικά προϊόντα, καθαριστικά με βάση τη χλωρίνη ή συρμάτινα σφουγγαράκια.
- Μην χρησιμοποιείτε συσκευές καθαρισμού με ατμό.
- Μην χρησιμοποιείτε εύφλεκτα προϊόντα.
- Μην αφήνετε στη μονάδα εστιών όξινες ή αλκαλικές ουσίες όπως ξίδι, μουστάρδα, αλάτι, ζάχαρη ή χυμό λεμονιού.

ΑΝΤΙΜΕΤΩΠΙΣΗ ΠΡΟΒΛΗΜΑΤΩΝ

Εάν η μονάδα εστιών δεν λειτουργεί σωστά, πριν επικοινωνήσετε με το κέντρο εξυπηρέτησης πελατών ανατρέξτε στον οδηγό αντιμετώπισης προβλημάτων για να καθορίσετε το πρόβλημα.

1. Ο καυστήρας δεν ανάβει ή η φλόγα δεν είναι ομοιόμορφη

Βεβαιωθείτε ότι:

- Η παροχή αερίου και ηλεκτρικού ρεύματος δεν είναι κλειστές και ιδίως ότι η στρόφιγγα παροχής αερίου είναι ανοικτή;
- Η φιάλη αερίου (υγραέριο) δεν έχει αδειάσει;
- Τα ανοίγματα του καυστήρα δεν είναι φραγμένα;
- Δεν υπάρχουν ακαθαρσίες στο άκρο του σπινθηριστή;
- Όλα τα εξαρτήματα του καυστήρα έχουν τοποθετηθεί σωστά;
- Δεν υπάρχουν ρεύματα αέρα κοντά στη μονάδα εστιών.

2. Ο καυστήρας δεν παραμένει αναμμένος

Βεβαιωθείτε ότι:

- Όταν ανάβετε τον καυστήρα, πατάτε το κουμπί όσο χρόνο χρειάζεται για την ενεργοποίηση της διάταξης προστασίας;

ΠΡΟΣΑΡΜΟΓΗ ΕΛΑΧΙΣΤΗΣ ΡΥΘΜΙΣΗΣ ΠΑΡΟΧΗΣ ΑΕΡΙΟΥ ΣΤΙΣ ΣΤΡΟΦΙΓΓΕΣ

⚠ Η εργασία αυτή πρέπει να γίνει από εξειδικευμένο τεχνικό.

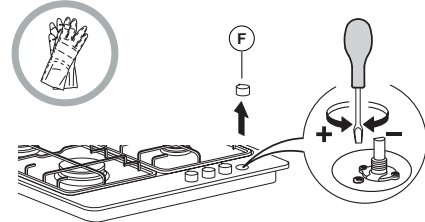
Η προσαρμογή πρέπει να γίνει με τη στρόφιγγα στη θέση ελάχιστης ρύθμισης παροχής ● (μικρή φλόγα).

Ο πρωτεύων αέρας των καυστήρων δεν χρειάζεται ρύθμιση.

Για να διασφαλιστεί η σωστή προσαρμογή της ελάχιστης ρύθμισης παροχής, αφαιρέστε το κουμπί (F) και ακολουθήστε την παρακάτω διαδικασία:

- σφίξτε τη βίδα για να μειώσετε το ύψος της φλόγας (-);
- λασκάρτε τη βίδα για να αυξήσετε το ύψος της φλόγας (+).

Στη συνέχεια, ανάψτε τους καυστήρες και στρίψτε τα κουμπιά από τη θέση μέγιστης ρύθμισης Ⓞ στη θέση ελάχιστης ρύθμισης ● για να ελέγξετε τη σταθερότητα της φλόγας.



Όταν ολοκληρωθεί η προσαρμογή, σφραγίστε ξανά το σημείο χρησιμοποιώντας βουλοκέρι ή άλλο αντίστοιχο υλικό.

ΚΑΘΑΡΙΣΜΟΣ ΤΩΝ ΕΞΑΡΤΗΜΑΤΩΝ ΤΗΣ ΜΟΝΑΔΑΣ ΕΣΤΙΩΝ

- Καθαρίζετε τα γυάλινα και εμαγιέ εξαρτήματα μόνο με μαλακό πανί ή σφουγγάρι.
- Μπορείτε να αφαιρέσετε τις σχάρες, τα καπάκια των καυστήρων και τους καυστήρες για να τους καθαρίσετε.
- Καθαρίστε τα εξαρτήματα με το χέρι χρησιμοποιώντας ζεστό νερό και μη διαβρωτικό απορρυπαντικό, απομακρύνετε τα υπολείμματα φαγητού και βεβαιωθείτε ότι κανένα από τα ανοίγματα του καυστήρα δεν είναι φραγμένο.
- Ξεπλύνετε και σκουπίστε τα εξαρτήματα.
- **Οι σχάρες από χυτοσίδηρο μπορούν να καθαριστούν στο πλυντήριο πιάτων. Αφαιρέστε τυχόν καμένα τρόφιμα πριν τοποθετήσετε τις σχάρες στο χαμηλότερο ράφι του πλυντηρίου πιάτων.**
- Τοποθετήστε ξανά τους καυστήρες και τα καπάκια των καυστήρων σωστά στις αντίστοιχες υποδοχές.
- Κατά την επανατοποθέτηση των σχαρών, βεβαιωθείτε ότι η περιοχή στήριξης του σκεύους είναι ευθυγραμμισμένη με τον καυστήρα.
- Στα μοντέλα με ηλεκτρικούς σπινθηριστές και διατάξεις προστασίας, απαιτείται σχολαστικός καθαρισμός του άκρου του σπινθηριστή ώστε να διασφαλιστεί η σωστή λειτουργία. Ελέγχετε τα εξαρτήματα αυτά τακτικά και, εάν απαιτείται, καθαρίστε τα με υγρό πανί. Τα υπολείμματα φαγητών που ξερόθηκαν κατά το μαγείρεμα πρέπει να αφαιρούνται με οδοντογλυφίδα ή βελόνα.

ΣΗΜΕΙΩΣΗ: Για να αποφύγετε τυχόν ζημιά στην ηλεκτρική ανάφλεξη, μην την χρησιμοποιείτε όταν οι καυστήρες δεν βρίσκονται στις υποδοχές τους.

- Τα ανοίγματα του καυστήρα δεν είναι φραγμένα κοντά στο θερμοστοιχείο;
- Δεν υπάρχουν ακαθαρσίες στο άκρο της διάταξης προστασίας;
- Η ελάχιστη ρύθμιση παροχής αερίου είναι σωστή (ανατρέξτε στη σχετική παράγραφο).

3. Τα σκεύη δεν είναι σταθερά

Βεβαιωθείτε ότι:

- Η βάση του σκεύους είναι απόλυτα επίπεδη;
- Το σκεύος είναι κεντραρισμένο επάνω στον καυστήρα;
- Οι σχάρες δεν έχουν τοποθετηθεί ανάποδα ή λανθασμένα.

Εάν μετά από αυτούς τους ελέγχους το πρόβλημα παραμένει, απευθυνθείτε στο πλησιέστερο κέντρο εξυπηρέτησης πελατών.

ΗΧΟΙ ΠΟΥ ΠΑΡΑΓΟΝΤΑΙ ΚΑΤΑ ΤΗ ΛΕΙΤΟΥΡΓΙΑ

Για να λάβετε πλήρη τεχνική υποστήριξη, παρακαλούμε να καταχωρίσετε τη συσκευή σας στην ιστοσελίδα www.indesit.com/register.

ΠΡΙΝ ΚΑΛΕΣΕΤΕ ΤΟ ΣΕΡΒΙΣ:

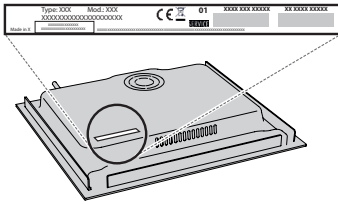
1. Επιχειρήστε να επιλύσετε μόνοι σας το πρόβλημα με τη βοήθεια των συστάσεων που παρέχονται στον **ΟΔΗΓΟ ΑΝΤΙΜΕΤΩΠΙΣΗΣ ΒΛΑΒΩΝ**.
2. Σβήστε και ανάψτε ξανά τη συσκευή για να διαπιστώσετε εάν η βλάβη παραμένει.

ΕΑΝ Η ΒΛΑΒΗ ΕΞΑΚΟΛΟΥΘΕΙ ΝΑ ΕΜΦΑΝΙΖΕΤΑΙ ΜΕΤΑ ΤΟΥΣ ΠΑΡΑΠΑΝΩ ΕΛΕΓΧΟΥΣ, ΕΠΙΚΟΙΝΩΝΗΣΤΕ ΜΕ ΤΟ ΠΛΗΣΙΕΣΤΕΡΟ ΣΕΡΒΙΣ.

Για τεχνική υποστήριξη, καλέστε τον αριθμό που αναγράφεται στο βιβλιαράκι εγγύησης ή ακολουθήστε τις οδηγίες στην www.indesit.com.

Όταν επικοινωνείτε με την Εξυπηρέτηση πελατών, αναφέρετε πάντα:

- Μια σύντομη περιγραφή της βλάβης;
- Τον τύπο και το ακριβές μοντέλο της συσκευής;



- τον σειριακό αριθμό (αριθμός μετά τη λέξη SN στην πινακίδα που βρίσκεται κάτω από τη συσκευή). Ο σειριακός αριθμός αναφέρεται επίσης στην τεκμηρίωση;



Mod. **xxx xxx**
Ind.C. **xxxx xxxx xxxx**
SN: **xxxx xxxx xxxx**
Prod.N. **xxxx xxxx xxxx**

- την πλήρη διεύθυνσή σας;
- τον αριθμό τηλεφώνου σας.

Εάν απαιτείται επισκευή, απευθυνθείτε σε ένα εξουσιοδοτημένο Κέντρο Εξυπηρέτησης Πελατών (για να διασφαλιστεί η χρήση γνήσιων ανταλλακτικών και η σωστή επισκευή).

Μπορείτε να βρείτε πολιτικές, τυπική τεκμηρίωση και πρόσθετες πληροφορίες προϊόντος:

- Χρήση του κωδικού QR στη συσκευή σας;
- Επισκεφθείτε την ιστοσελίδα μας docs.indesit.eu;
- Εναλλακτικά, **μπορείτε να επικοινωνήσετε με την Υπηρεσία εξυπηρέτησης πελατών** (βλ. τηλεφωνικό αριθμό στο βιβλιαράκι εγγύησης). Όταν επικοινωνείτε με το Κέντρο εξυπηρέτησης πελατών, αναφέρετε τους κωδικούς που αναγράφονται στην ετικέτα αναγνώρισης προϊόντος.



⚠ Ці інструкції дійсні, якщо символ відповідної країни вказаний на приладі. Якщо на приладі немає символу відповідної країни, слід звернутися до технічних інструкцій, де є необхідні вказівки щодо змін, які слід виконати на приладі, щоб він був адаптований до умов використання в цій країні.

⚠ **ОБЕРЕЖНО:** Під час використання газової плити в приміщенні, де вона встановлена, виділяються тепло, волога і продукти згоряння. Слід подбати про добру вентиляцію кухні, головним чином на час використання приладу: залишайте відкритими отвори для природної вентиляції або встановіть пристрій для примусової вентиляції (втяжку з примусовою вентиляцією). Під час тривалого інтенсивного використання приладу може знадобитися додаткова вентиляція, наприклад, може виникнути потреба відкрити вікно, або ж доведеться перемкнути втяжку (за наявності) на вищий рівень потужності.

⚠ Недотримання рекомендацій, зазначених у цьому посібнику, може призвести до займання або вибуху з подальшими матеріальними збитками або травмами.

Перед використанням приладу прочитайте ці інструкції з техніки безпеки. Збережіть їх для подальшого використання.

У цих інструкціях та на самому приладі містяться важливі попередження про небезпеку, які слід завжди виконувати. Виробник не несе жодної відповідальності за недотримання цих інструкцій з техніки безпеки, за неналежне використання приладу або неправильне налаштування елементів управління.

⚠ **ПОПЕРЕДЖЕННЯ:** Якщо варильна поверхня тріснула, не користуйтеся приладом – існує ризик ураження електричним струмом.

⚠ **ПОПЕРЕДЖЕННЯ:** Щоб уникнути пожежі: не зберігайте жодних предметів на поверхнях для приготування.

⚠ **ОБЕРЕЖНО:** за процесом готування слід наглядати. За короткочасним процесом готування слід наглядати постійно.

⚠ **ПОПЕРЕДЖЕННЯ:** Необережне приготування їжі із змістом жиру або олії на варильній панелі може бути небезпечним - це може призвести до виникнення пожежі. **НІКОЛИ** не намагайтеся загасити вогонь водою. Вимкніть прилад і накрийте чимось вогонь, наприклад кришкою або протипожежною ковдрою.

⚠ Не використовуйте варильну панель як робочу поверхню або як підставку. Не кладіть одяг або інші легкозаймисті матеріали поблизу приладу, доки повністю не охолонуть всі його компоненти – існує ризик виникнення пожежі.

⚠ Не дозволяйте маленьким дітям (до 3 років) підходити надто близько до приладу. Не дозволяйте маленьким

дітям (від 3 до 8 років) підходити надто близько до приладу без постійного нагляду. До користування приладом допускаються діти віком від 8 років, особи з фізичними, сенсорними чи розумовими вадами, а також особи, які мають незначний досвід чи знання щодо використання цього приладу, лише за умови, що такі особи отримали інструкції щодо безпечного використання приладу, розуміють можливий ризик або використовують прилад під наглядом осіб, що відповідають за їхню безпеку. Не дозволяйте дітям гратися з приладом. Діти можуть чистити та обслуговувати прилад лише під наглядом дорослих.

⚠ **ОБЕРЕЖНО:** У разі пошкодження скла конфорки: негайно вимкніть усі конфорки та будь-які електричні нагрівальні елементи і відключіть прилад від джерела живлення; не торкайтеся поверхонь приладу; не користуйтеся приладом.

Скляна кришка може зламатися, якщо нагріється. Перед закриванням кришки вимкніть усі конфорки та електричні панелі. Не закривайте кришку під час роботи конфорки.

⚠ **ПОПЕРЕДЖЕННЯ:** Під час використання прилад і його доступні частини нагріваються. Слід бути обережними, щоб не торкнутися нагрівальних елементів. Дітей до 8 років не можна залишати поруч із приладом без постійного нагляду.

⚠ Не залишайте продукти або готові страви у виробі чи на ньому більше ніж протягом однієї години до або після приготування.

ДОЗВОЛЕНЕ ВИКОРИСТАННЯ

⚠ **ОБЕРЕЖНО:** Цей прилад не призначений для експлуатації із зовнішнім приладом для перемикання, наприклад, таймером або окремою системою дистанційного керування.

⚠ Цей прилад призначено для використання в побутових і подібних умовах, наприклад таких: в кухонних зонах магазинів, офісів та інших робочих середовищ; у фермерських господарствах; клієнтами в готелях, мотелях, хостелах й інших житлових приміщеннях.

⚠ Забороняється використовувати прилад для інших цілей (наприклад, для опалення приміщень).

⚠ Цей пристрій не призначений для професійного використання. Не користуйтеся приладом на вулиці.

⚠ Використовувати каструлі та сковороди, дно яких має такий самий або трохи більший діаметр, як і конфорки (див. відповідну таблицю). стежити, щоб каструлі на решітці не виступали за межі варильної панелі.

⚠ Неправильне використання решіток може призвести до пошкодження варильної панелі: Не ставте решітку догори дном і не тягніть її по варильній панелі.

Регулюйте потужність полум'я конфорки так, щоб воно не виходило за межі сковороди або каструлі.

Якщо поверхня варильної панелі виконана зі скла, не використовуйте чавунні, керамічні та виготовлені з натурального каменю каструлі та сковороди.

Не використовуйте: пристрої для рівномірного розсіювання полум'я (наприклад, металева сітка тощо); одночасно дві конфорки для одного посуду (наприклад, довгий посуд для приготування риби).

Якщо через певну місцеву якість подачі газу запалення конфорок викликає труднощі, рекомендовано повторити спробу запалювання, повернувши ручку керування потужністю конфорки до позначки малого полум'я.

У випадку встановлення витяжки над варильною поверхнею див. інструкції виробника витяжки для дотримання правильної відстані.

Захисні гумові ніжки на сітках можуть стати причиною удушення дітей. Після знімання сітки переконайтеся, що всі ніжки правильно встановлені.

УСТАНОВЛЕННЯ

⚠ Встановлення і обслуговування приладу повинно виконуватись принаймні двома особами для уникнення ризику травмування. Під час розпакування та встановлення приладу використовуйте захисні рукавиці – існує ризик порізів.

⚠ Електричні та газові з'єднання мають відповідати місцевим нормам.

⚠ Установлення, підключення водопостачання (за наявності) і електричних з'єднань, які ремонтні роботи, повинні виконуватись кваліфікованим персоналом. Не ремонтуйте та не замінюйте жодну частину приладу, якщо в інструкції з експлуатації прямо не вказано, що це необхідно зробити. Не дозволяйте дітям наблизитись до місця установлення. Розпакувавши прилад, перевірте, чи немає на ньому пошкоджень після транспортування. Якщо це так, зверніться до дилера або найближчого центру післяпродажного обслуговування. Після встановлення залишки упаковки (пластик, пінополістиролові елементи тощо) повинні зберігатися в недоступному для дітей місці – існує небезпека удушення. Перед проведенням будь-яких робіт з установлення приладу слід відключити від електромережі для уникнення ризику ураження електричним струмом. Під час установлення приладу переконайтеся, що він не перетискає та не пошкоджує кабель живлення – існує ризик виникнення пожежі або ураження електрострумом. Вмикайте прилад лише після завершення процедури його встановлення.

⚠ **ПОПЕРЕДЖЕННЯ:** Критично важливими для безпеки і правильності використання приладу в усіх додаткових країнах є способи його модифікації і встановлення.

⚠ Використовуйте регулятори тиску, сумісні з показниками тиску газу, вказаними в інструкції.

⚠ Приміщення повинне бути оснащене витяжною системою, що видаляє всі гази і дим, які утворюються під час горіння.

⚠ У приміщенні також слід забезпечити належну циркуляцію повітря, оскільки для забезпечення нормального перебігу горіння потрібне свіже повітря. Приплив повітря не повинен бути меншим від 2 м³/год на кожний кіловат встановленої потужності.

⚠ Система циркуляції повітря повинна забирати свіже повітря безпосередньо з атмосфери за межами приміщення за допомогою труби з площею

внутрішнього перерізу не менше 100 см²; вхідний отвір повинен бути захищеним від будь-якого блокування.

⚠ Система також може постачати потрібне для процесу горіння повітря непрямим способом, тобто з суміжних приміщень, оснащених трубами для циркуляції повітря, що відповідають наведеним вище вимогам. Однак згадані вище приміщення не повинні бути приміщеннями спільного користування, спальними кімнатами або приміщеннями, що можуть бути пожежно небезпечними.

⚠ Пара рідкого палива спускається до підлоги, оскільки вона важча від повітря. Тому приміщення з балонами, наповненими зрідженим вуглеводневим газом, також слід оснастити вентиляторами, які б видаляли газ у випадку його витоку. Враховуючи згадані вище обставини, частково або повністю заповнені зрідженим вуглеводневим газом балони заборонено встановлювати або зберігати в приміщеннях або на складських майданчиках, що знаходяться нижче рівня землі (наприклад, у підвалах і подібних приміщеннях). Рекомендується зберігати лише балон, який використовується в приміщенні, і розташовувати його так, щоб на нього не могло діяти тепло від зовнішніх джерел (духових шаф, камінів, кухонних плит і т. п.), які можуть нагріти балон до температури вище 50 °C.

⚠ Усі столярні роботи виконуйте до вбудовування приладу в меблевий корпус і приберіть усю дерев'яну стружку та тирсу.

⚠ Якщо прилад не встановлений над піччю, необхідно встановити піддон для збирання рідини (не входить в комплект) у відділенні під приладом.

У разі виникнення труднощів з повертанням ручок керування потужністю пальників зверніться до центру післяпродажного обслуговування, щоб замінити кран пальника, якщо він виявиться несправним.

Заборонено перекривати отвори, що використовуються для вентиляції і розсіювання тепла.

ПІДКЛЮЧЕННЯ ГАЗУ

⚠ **ПОПЕРЕДЖЕННЯ:** Перед встановленням слід переконавшись, що місцеві умови постачання (тип газу і його тиск) і конфігурація газового приладу сумісні.

⚠ Перевірте, чи відповідає тиск газу значенням, вказаним у таблиці "Технічні умови пальників і сопел".

⚠ **ПОПЕРЕДЖЕННЯ:** Умови налаштування цього приладу вказані на спеціальній позначці (або на заводській табличці даних).

⚠ **ПОПЕРЕДЖЕННЯ:** Цей прилад не під'єднаний до пристрою видалення продуктів згорання. Його слід встановити і підключити відповідно до чинних норм встановлення. Особливу увагу потрібно приділити відповідним вимогам щодо вентиляції.

⚠ Якщо прилад приєднують до джерела зрідженого газу, слід максимально щільно затягнути регулювальний гвинт.

⚠ **ВАЖЛИВО:** Переконайтеся, що газовий балон або ємність із газом розміщується належним чином (у вертикальному положенні), а вже потім підключайте до них газовий прилад.

⚠ ПОПЕРЕДЖЕННЯ: Лише кваліфікованому майстру дозволяється проводити цю процедуру.

⚠ Використовуйте тільки гнучкий або жорсткий металевий шланг для підключення до газової системи.

⚠ Підключення за допомогою жорсткої труби (мідної або сталеві). Підключення до системи газопостачання слід виконувати таким чином, щоб на газовий прилад не діяло жодне зусилля натягу чи деформації. Газовий прилад оснащений у точці підключення газу Г-подібною з'єднувальною деталлю з ущільнювальним матеріалом, щоб уникнути витоку газу. Після обертання з'єднувальної деталі ущільнювальний матеріал завжди слід міняти (ущільнювальний матеріал постачається в комплекті газового приладу). З'єднувальна трубна деталь являє собою циліндричний охоплюваний з'єднувач із зовнішньою різью 1/2 дюйми для під'єднання газу.

⚠ Підключення безшовної гнучкої труби з нержавіючої сталі до з'єднувача з різью. З'єднувальна трубна деталь являє собою циліндричний охоплюваний з'єднувач із різью 1/2 дюйми для під'єднання газу. Такі труби слід встановлювати таким чином, щоб у повністю розправленому стані їх довжина не перевищувала 2000 мм. Коли з'єднання виконане, гнучка металева труба не повинна торкатися рухомих деталей і не повинна знаходитися в стисненому стані. Слід використовувати лише труби і ущільнювальні матеріали, що відповідають вимогам актуальних національних нормативів.

⚠ ВАЖЛИВО: У разі використання шланга з нержавіючої сталі його слід встановити так, щоб він не торкався жодних рухомих частин меблів (наприклад, висувного ящика). Його слід прокласти в місці, де немає жодних перешкод і де його можна оглянути по всій довжині.

⚠ Цей прилад слід під'єднувати до мережі газопостачання або до газового балона згідно з вимогами чинних національних нормативів. Перш ніж під'єднувати, переконайтеся, що даний прилад сумісний з системою газопостачання, якою плануєте користуватися. Якщо виявиться, що прилад несумісний з наявною системою, див. розділ "Налаштування відповідно до іншого типу газу".

⚠ Підключивши прилад до газової мережі, за допомогою мильної води перевірте, чи немає витоку газу. Запаліть пальники та поверніть відповідні ручки керування потужністю пальників у максимальне (1*), а потім у мінімальне (2*) положення, щоб перевірити рівномірність полум'я.

НАЛАШТУВАННЯ ВІДПОВІДНО ДО ІНШОГО ТИПУ ГАЗУ

(Ці роботи має здійснювати кваліфікований персонал).

⚠ Для того, щоб пристосувати прилад до роботи з іншим типом газу, а не тим, на який він був налаштований на заводі-виробнику (зазначений на етикетці з технічними даними), виконайте наступні кроки, наведені після креслень щодо монтажу.

ПОПЕРЕДЖЕННЯ ПРО НЕБЕЗПЕКУ УРАЖЕННЯ ЕЛЕКТРИЧНИМ СТРУМОМ

⚠ ВАЖЛИВО: Інформація про споживання струму та напруги наведена на інформаційній табличці.

⚠ Слід забезпечити можливість від'єднання приладу від електромережі шляхом витягування вилки (за наявності) з розетки або за допомогою багатополюсного перемикача, встановленого перед розеткою згідно з нормами прокладання електропроводки, крім того, прилад має бути заземлений відповідно до національних стандартів електробезпеки.

⚠ Довжина кабелю живлення має бути достатньою для підключення приладу до електромережі після його встановлення в меблевий корпус. Не тягніть за кабель живлення приладу.

⚠ Не використовуйте подовжувачі, розгалужувачі або адаптери. Після підключення електричні компоненти мають бути недосяжними для користувача. Не використовуйте прилад, якщо ви мокрі або босоніж. Забороняється користуватися цим приладом у разі пошкодження кабелю живлення або вилки й у разі неналежної роботи приладу або пошкодження чи падіння.

⚠ Якщо кабель електроживлення пошкоджений, слід звернутись до виробника, сервісного агента або особи з подібною кваліфікацією для заміни на ідентичний кабель, щоб уникнути небезпеки - існує ризик ураження електричним струмом.


ЧИЩЕННЯ ТА ОБСЛУГОВУВАННЯ

⚠ ПОПЕРЕДЖЕННЯ: перед здійсненням технічного обслуговування приладу переконайтеся в тому, що прилад вимкнений і відключений від джерела живлення ніколи не застосовуйте пристрої чищення парою – існує ризик ураження електричним струмом.

⚠ Не використовуйте абразивні чи їдкі матеріали, очисники на основі хлору або металеві щітки.

⚠ Щоб не пошкодити пристрій електричного запалювання, не використовуйте його, коли конфорки знаходяться не на своїх місцях.


УТИЛІЗАЦІЯ ПАКУВАЛЬНИХ МАТЕРІАЛІВ

Пакувальний матеріал на 100% є вторинною сировиною, придатною для повторного використання, і позначений відповідним символом . Тому різні частини упаковки слід утилізувати відповідально та згідно з місцевими правилами щодо утилізації відходів.

УТИЛІЗАЦІЯ ПОБУТОВИХ ПРИЛАДІВ

Цей прилад виготовлено з матеріалів, які підлягають вторинній переробці або придатні для повторного використання. Утилізуйте Перед проведенням будь-якого чищення або технічного обслуговування слід переконавшись, що прилад охолонув. Його відповідно до місцевих правил утилізації відходів. Для отримання додаткової інформації про поводження з побутовими електричними приладами, їх утилізацію та вторинну переробку зверніться до місцевих органів, служби утилізації побутових відходів або в магазин, де ви придбали прилад. Цей прилад марковано відповідно до Європейської директиви 2012/19/ЄС, Директиви щодо відпрацьованого електричного й електронного обладнання (WEEE) та до Регламенту 2013 року про відходи електричного та електронного обладнання (зі змінами).

Забезпечивши правильну утилізацію цього приладу, ви допоможете запобігти негативним наслідкам для довкілля та здоров'я людей.

Символ  на виробі або в супровідній документації вказує на те, що прилад не можна утилізувати як побутові відходи, і що його потрібно здавати на утилізацію до відповідних центрів збору відходів для вторинної переробки електричного та електронного обладнання.

ПОРАДИ ЩОДО ЕНЕРГОЗБЕРЕЖЕННЯ

Використовувати каструлі та сковороди, площа дна яких дорівнює площі конфорки.

Використовувати тільки каструлі та сковороди з плоским дном.

За нагоди накривати каструлі кришками під час приготування.

Використовувати скороварку, щоб заощадити електроенергію та час.

ДЕКЛАРАЦІЯ ПРО ВІДПОВІДНІСТЬ

Цей прилад відповідає вимогам щодо екодизайну Регламенту ЄС 66/2014, вимогам щодо екодизайну для виробів, що споживають енергію, та Положенням про енергетичну інформацію (Поправка) (Вихід з ЄС) 2019 року, відповідно до європейського стандарту EN 30-2-1.

Інформацію щодо використання приладу в режимі низького енергоспоживання відповідно до Регламенту (ЄС) 2023/826 можна знайти за наступним посиланням: <https://docs.emeaappliance-docs.eu>.

ТЕХНІЧНІ УМОВИ ПАЛЬНИКІВ І СОПЕЛ UA

КАТЕГОРІЯ II2H3+

Тип газу, що використовується	Тип конфорки	Маркування форсунки	Номинальна потужність теплового потоку кВт	Номинальне споживання	Номинальний обсяг споживання кВт	Тиск газу мбар		
						мін	ном.	макс.
ПРИРОДНИЙ ГАЗ (Метан) G20	Швидка (R)	115 Y	3,00	286 л/час	0,40	17	20	25
	Напівшвидка (SR)	95 Z	1,65	157 л/час	0,40			
	Допоміжна (AUX)	72 X	1,00	95 л/час	1,65			
СКРАПЛЕНИЙ ГАЗ (Бутан) G30	Швидка (R)	85	3,00	218 г/час	0,40	20	28-30	35
	Напівшвидка (SR)	63	1,65	120 г/час	0,40			
	Допоміжна (AUX)	50	1,00	73 г/час	1,65			
СКРАПЛЕНИЙ ГАЗ (Пропан) G31	Швидка (R)	85	3,00	214 г/час	0,40	25	37	45
	Напівшвидка (SR)	63	1,65	118 г/час	0,40			
	Допоміжна (AUX)	50	1,00	71 г/час	1,65			

Тип газу, що використовується	Конфігурація моделі 4 КОНФОРКИ	Номинальна потужність теплового потоку (кВт)	Загальний номинальний обсяг споживання	Об'єм повітря (м ³), необхідний для спалювання 1 м ³ газу
G20 20 мбар	1R - 2SR - 1AUX	7,30	695 л/час	9,52
G30 28-30 мбар	1R - 2SR - 1AUX	7,30	531 г/час	30,94
G31 37 мбар	1R - 2SR - 1AUX	7,30	521 г/час	23,80

ДЖЕРЕЛО ЕЛЕКТРОЕНЕРГІЇ: 220–240В~50-60Гц–0,6Вт

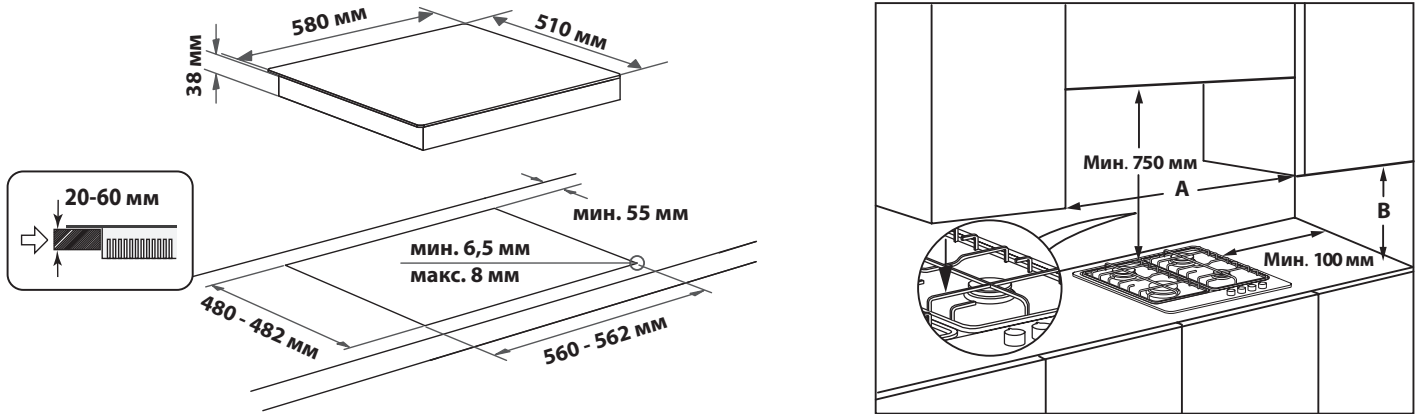


УСТАНОВЛЕННЯ (КЛАС 3)

ТЕХНІЧНА ІНФОРМАЦІЯ ДЛЯ МОНТАЖУ

- Під час обслуговування приладу, його підготовки до роботи та встановлення використовуйте захисні рукавиці.
- Для вбудування цього продукту підійдуть робочі поверхні завтовшки 20–60 мм.
- Якщо під варильною панеллю немає духової шафи, вставте піддон зонайменше такого ж розміру, як і отвір на робочій поверхні. Цей піддон слід розмістити максимум на 150 мм нижче верхньої частини робочої поверхні, але в жодному разі не ближче 20 мм від дна варильної панелі. Якщо ви плануєте встановлювати під варильною панеллю духову шафу, вона має бути оснащена системою охолодження.

РОЗМІРИ ТА ВІДСТАНІ, ЯКИХ СЛІД ДОТРИМУВАТИСЯ



ПРИМІТКА. Якщо відстань «А» між настінними шафами має значення в діапазоні від 600 до 730 мм, висота «В» повинна мати значення принаймні 530 мм.

Якщо відстань «А» між настінними шафами більша за ширину варильної поверхні, висота «В» повинна мати значення принаймні 400 мм. У разі встановлення витяжки над варильною панеллю див. інструкції виробника витяжки, щоб визначити правильну відстань.

МОНТАЖ

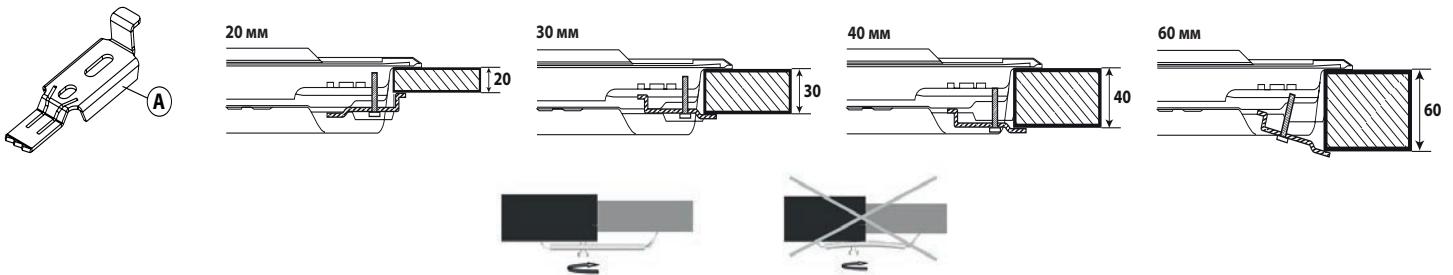
Очистивши поверхню по периметру, застосуйте до варильної панелі прокладку з комплекту постачання (див. рисунок).

Розмістіть варильну панель в отворі робочої поверхні, зробленого відповідно до вказаних у цих інструкціях розмірів.



ПРИМІТКА. Кабель живлення має бути достатньо довгим, щоб його можна було витягнути нагору.



Закріпіть варильну панель за допомогою скоб (А), що входять до комплекту. Припасуйте скоби відповідно до отворів, як показано стрілками на малюнку, а тоді затягніть їх за допомогою шурупів відповідно до товщини робочої поверхні (див. малюнки нижче).

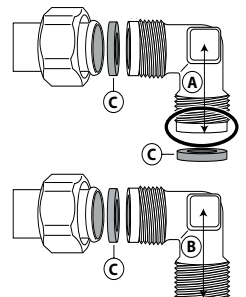


ПІДКЛЮЧЕННЯ ГАЗУ

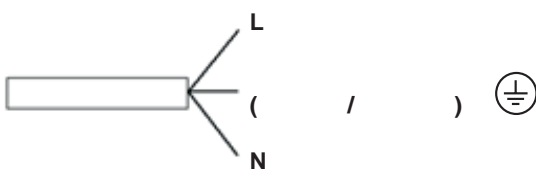
- З'єднайте колінчастий патрубок (А)* або (В)*, що входить до комплекту варильної панелі, з головною впускною трубою, поставивши між ними прокладку (С), що входить до комплекту та відповідає стандарту EN 549.

* Використовуйте патрубок А у Франції, а патрубок В для всіх інших країн.

- Підключивши варильну панель до газової мережі, за допомогою мильної води перевірте, чи немає витіку газу. Запаліть конфорки та поверніть відповідні ручки керування потужністю конфорок у максимальне , а тоді в мінімальне  положення, щоб перевірити рівномірність полум'я.



ЕЛЕКТРИЧНЕ ПІДКЛЮЧЕННЯ





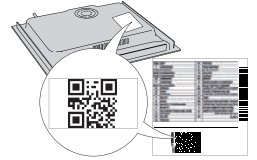
ДЯКУЄМО ЗА ПРИДБАННЯ ВИРОБУ INDESIT

Для отримання більш повної допомоги зареєструйте свій прилад на сайті www.indesit.com/register.

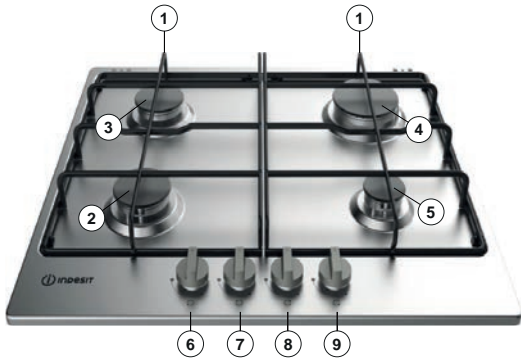


Перед використанням пристрою уважно прочитайте інструкції з техніки безпеки.

ВІДСКАКУЙТЕ QR-КОД НА СВОЄМУ ПРИЛАДІ, ЩОБ ОТРИМАТИ ДОДАТКОВУ ІНФОРМАЦІЮ



ОПИС ВИРОБУ



1. Знімні решітки для каструль
2. Напівшвидка конфорка
3. Напівшвидка конфорка
4. Швидка конфорка
5. Допоміжна конфорка
6. Ручка керування потужністю напівшвидкої конфорки
7. Ручка керування потужністю напівшвидкої конфорки
8. Ручка керування потужністю конфорки швидка
9. Ручка керування потужністю допоміжної конфорки

Символи

- Зафарбований круг ● Перекритий кран
- Велике полум'я ☉ Максимальний отвір/подача й електричне запалювання
- Мале полум'я ○ Мінімальний отвір і знижена подача

ЩОДЕННЕ ВИКОРИСТАННЯ

ВИКОРИСТАННЯ ВАРИЛЬНОЇ ПАНЕЛІ

⚠ Регулюйте потужність полум'я конфорки так, щоб воно не виходило за межі сковороди або каструлі.

ВАЖЛИВО! під час використання варильної панелі може нагріватися вся її поверхня.

- Щоб запалити одну з конфорок, поверніть відповідну ручку проти годинникової стрілки до позначки максимального полум'я.
- Притисніть ручку до панелі керування, щоб запалити конфорку.
- Утримуйте ручку натиснутою впродовж 5–10 секунд після запалювання конфорки, щоб прилад запрацював належним чином.
- Захисний механізм цієї конфорки вимикає подачу газу на конфорку, якщо полум'я раптом зникає (через несподіваний протяг, перебої в подачі газу, википання рідини тощо).
- **Не рекомендовано утримувати ручку натиснутою понад 15 секунд. Якщо і після цього періоду часу конфорка не запалиться, зачекайте хвилину, перш ніж спробувати запалити її ще раз.**

ПРИМІТКА. Якщо через певні місцеві умови та якість подачі газу виникають труднощі із запаленням конфорок, рекомендовано повторити спробу запалювання, повернувши ручку керування потужністю конфорки до позначки малого полум'я.

Полум'я конфорки може згаснути, якщо відпустити ручку. Це означає, що захисний механізм недостатньо прогрівся. У такому разі повторіть перелічені вище дії.

Якщо полум'я випадково згасло, вимкніть газ рукою регулювання та зачекайте приблизно 1 хвилину перед тим як запалювати його знову.

ПРАКТИЧНІ ПОРАДИ З ВИКОРИСТАННЯ КОНФОРОК

Ця варильна панель має конфорки різного діаметру. Щоб ефективніше використовувати конфорки, радимо:

- використовувати каструлі та сковороди, дно яких має такий самий або трохи більший діаметр, як і конфорки (див. таблицю праворуч);
- використовувати тільки каструлі та сковороди з плоским дном;
- використовувати правильну кількість води для приготування страв і накривати каструлі кришками;
- стежити, щоб каструлі на решітці не виступали за межі варильної панелі;
- (для сковорід із випуклим дном – вок) використовувати допоміжну решітку, яку слід розташувати тільки над багатокільцевою конфоркою;
- уникайте випадкових ударів каструлями, ґратками або іншою кухонними начинням;
- Не залишайте порожні сковороди для барбекю на увімкненій конфорці більше 5 хвилин.

ВАЖЛИВО! Неправильне використання решіток може призвести до пошкодження варильної панелі. Не ставте решітку догори дном і не тягніть її по варильній панелі.

КОНФОРКА	Ø ДІАМЕТР КАСТРУЛІ
Швидка	Від 24 до 26 см
Напівшвидка	Від 16 до 22 см
Допоміжна	Від 8 до 14 см

Не використовуйте:

- чавунні, керамічні та виготовлені з натурального камення каструлі та сковороди;
- пристрої для рівномірного розсіювання полум'я (наприклад, металева сітка тощо);
- одночасно дві конфорки для однієї посудини (наприклад, довга посудина для приготування риби).

НАЛАШТУВАННЯ ВАРИЛЬНОЇ ПАНЕЛІ ВІДПОВІДНО ДО ІНШОГО ТИПУ ГАЗУ

⚠ Лише кваліфікований майстер повинен проводити цю процедуру.

Якщо на варильну панель постачатиметься інший тип газу, ніж указано в таблиці технічних даних і на інформаційній етикетці на самій верхній панелі, змініть форсунки. Зніміть інформаційну етикетку та зберігайте її в посібнику з інструкціями.

Використовуйте регулятори тиску, сумісні з показниками тиску газу, вказаними в цих інструкціях:

- Лише працівники центру післяпродажного обслуговування або кваліфіковані фахівці повинні замінювати газові форсунки.
- Форсунки, які не входять до комплекту постачання, слід замовляти в центрі післяпродажного обслуговування.
- Установіть для кранів подачі газу мінімальне значення.

ПРИМІТКА. У разі використання зрідженого нафтового газу (G30/G31) гвинт регулювання мінімального значення потрібно максимально закрити.

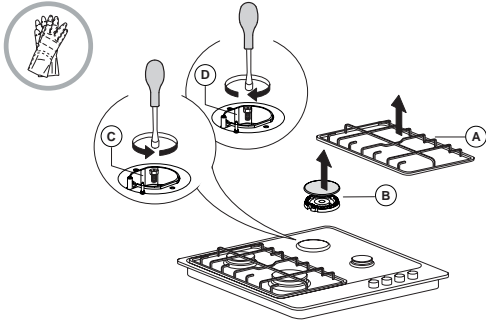
ВАЖЛИВО! У разі виникнення труднощів з поверненням ручок керування потужністю конфорок, зверніться до центру післяпродажного обслуговування, щоб замінити несправний кран конфорки.

ВАЖЛИВО! Переконайтеся, що газовий балон або ємність із газом розміщуються належним чином (у вертикальному положенні), а вже потім підключайте до них варильну панель.

ЗАМІНА ФОРСУНОК (див. Таблицю форсунок в Інструкціях з техніки безпеки)

⚠ Лише кваліфікований майстер повинен проводити цю процедуру.

- Зніміть решітки (A).
- Витягніть конфорки (B).
- За допомогою торцевого ключа відповідного розміру розкрутіть форсунку (C) яку потрібно замінити.
- Замініть її на форсунку, придатну для нового типу газу.
- Вмонтуйте форсунку (D).



Перш ніж установлювати варильну панель, не забудьте прикріпити табличку калібрування газу, що постачається з форсунками, щоб вона відповідала фактичним даним про калібрування подачі газу.

НАЛАШТУВАННЯ КРАНІВ НА МІНІМАЛЬНУ ПОДАЧУ ГАЗУ

⚠ Лише кваліфікований майстер повинен проводити цю процедуру.

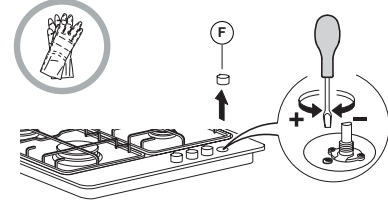
Налаштовувати подачу газу потрібно тоді, коли кран знаходиться в положенні мінімальної подачі ● (маленьке полум'я).

Первинне повітря в конфорках налаштовувати не потрібно.

Щоб пересвідчитися в правильному налаштуванні мінімальної подачі газу, зніміть ручку керування потужністю конфорки (F) та виконайте перелічені нижче дії:

- Закрутіть гвинт, щоб зменшити висоту полум'я (-);
- Послабте гвинт, щоб збільшити висоту полум'я (+).

На цьому етапі запаліть конфорку та поверніть ручку керування потужністю конфорки на максимальне ☉, а тоді на мінімальне ● значення, щоб перевірити рівномірність полум'я.



Завершивши налаштування, запечатуйте необхідні ділянки за допомогою сургучу або аналогічного матеріалу.

ОЧИЩЕННЯ І ОБСЛУГОВУВАННЯ

⚠ Від'єднайте прилад від джерела живлення.

ОЧИЩЕННЯ ПОВЕРХНІ ВАРИЛЬНОЇ ПАНЕЛІ

- Усі емальовані та скляні частини слід очищувати теплою водою та нейтральним розчином.
- Під час тривалого контакту з вапнистою водою або абразивними миючими засобами на поверхнях із нержавіючої сталі можуть виникнути плями. Пролиту рідину (вода, соус, кава тощо) слід витирати одразу, ще до того, як вона засохне.
- Очищувати панель потрібно теплою водою та нейтральним миючим засобом, а тоді витирати насухо за допомогою м'якої тканини чи замші. Бруд від припалених решток їжі видаляйте за допомогою спеціальних очистників для поверхонь із нержавіючої сталі.

ПРИМІТКА. Нержавіючу сталь слід чистити тільки за допомогою м'якої тканини або губки.

- Не використовуйте абразивні чи їдкі матеріали, очистники на основі хлору або металеві щітки.
- Ніколи не застосовуйте пристрої, у яких для очищення використовується пара.
- Не використовуйте займісті продукти.
- Не залишайте кислотні або лужні речовини, наприклад оцет, гірчицю, сіль, цукор чи лимонний сік на варильній панелі.

ОЧИЩЕННЯ ЧАСТИН ВАРИЛЬНОЇ ПАНЕЛІ

- Чистьте скляні й емальовані частини лише за допомогою м'якої тканини чи губки.
- Решітки, кришки конфорок і конфорки можна також зняти, щоб почистити їх.
- Очистьте їх вручну за допомогою теплої води з неабразивним миючим засобом, видаляючи будь-які рештки їжі. Перевірте, чи жоден з отворів конфорки не забився.
- Промийте та висушіть їх.
- **Чавунну решітку можна мити в посудомийній машині. Перед тим, як помістити решітку в низ посудомийної машини, видаляйте рештки їжі, що пригоріла.**
- Вставте конфорки у відповідні гнізда та належним чином накрийте конфорки кришками.
- Ставлячи на місце решітку, переконайтеся, що місце для кастрюлі збігається з конфоркою.
- Для забезпечення справної роботи на моделях, що містять поршень електричного запалювання та захисний механізм, слід ретельно очищати край поршня. Часто перевіряйте ці елементи, а в разі необхідності чистьте їх вологою тканиною. Будь-які припалені рештки їжі слід видалити за допомогою зубочистки або голки.

ПРИМІТКА. Щоб не пошкодити пристрій електричного запалювання, не використовуйте його, коли конфорки знаходяться не на своїх місцях.

ПОСІБНИК З УСУНЕННЯ НЕСПРАВНОСТЕЙ

Якщо варильна панель працює неналежним чином, перш ніж звертатися до центру післяпродажного обслуговування, перегляньте "Посібник з усунення несправностей", щоб визначити проблему.

1. Конфорка не запалюється або полум'я нерівномірне

Перевірте, чи:

- не перекрита подача газу та джерело живлення, а особливо, чи відкритий кран подачі газу;
- газовий балон (зріджений газ) не порожній;
- не забиті отвори конфорки;
- не забруднена вилка розетки;
- усі частини конфорки розташовані правильно;
- біля варильної панелі немає протягів.

2. Конфорка гасне

Перевірте, чи:

- під час запалювання конфорки ви протягом тривалого часу утримували натиснутою ручку керування потужністю конфорки, щоб активувати захисний механізм;

- не забиті отвори конфорки біля термопари;
- не забруднено край захисного механізму;
- правильно налаштовано мінімальну подачу газу (див. відповідний розділ).

3. Резервуари конфорки нестабільні

Перевірте, чи:

- дно резервуара ідеально рівне;
- резервуар розміщено на конфорці рівно по центру;
- не переплутано місця решіток і їх правильно встановлено.

Якщо після вищевказаних перевірок несправність не зникає, зверніться до найближчого центру післяпродажного обслуговування.

ПІСЛЯПРОДАЖНЕ ОБСЛУГОВУВАННЯ

Для отримання більш повної допомоги зареєструйте свій прилад на сайті www.indesit.com/register.

ПЕРШ НІЖ ЗВЕРТАТИСЯ ДО ЦЕНТРУ ПІСЛЯПРОДАЖНОГО ОБСЛУГОВУВАННЯ, ВИКОНАЙТЕ НАВЕДЕНІ НИЖЧЕ ДІЇ:

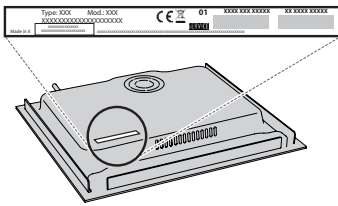
1. Перевірте, чи можна вирішити проблему самостійно за допомогою порад, наведених у розділі **ПОСІБНИК ІЗ УСУНЕННЯ НЕСПРАВНОСТЕЙ**.
2. Вимкніть прилад і знову увімкніть його, щоб перевірити, чи несправність залишається.

ЯКЩО ПІСЛЯ ВИЩЕВКАЗаної ПЕРЕВІРКИ НЕСПРАВНОСТІ НЕ ЗНИКНЕ, ЗВЕРНІТЬСЯ ДО НАЙБЛИЖЧОГО ЦЕНТРУ ПІСЛЯПРОДАЖНОГО ОБСЛУГОВУВАННЯ.

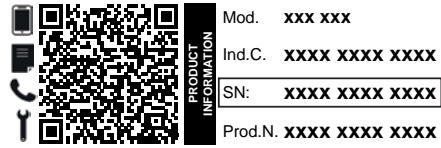
Щоб отримати допомогу, зверніться за номером, що вказаний у гарантійному талоні, або дотримуйтесь інструкцій на сайті www.indesit.com.

Під час зв'язку з нашим Сервісом післяпродажного обслуговування завжди уточнюйте:

- короткий опис несправності;
- тип і точну модель приладу;



- серійний номер (номер після слова SN на паспортній табличці, розташованій під приладом). Серійний номер вказаний також у документації;



- повна адреса вашого місця проживання;
- ваш номер телефону.

Якщо потрібен ремонт, зверніться в авторизований центр післяпродажного обслуговування (щоб гарантувати, що будуть використані оригінальні запчастини та ремонт буде виконано правильно).

З правилами, стандартною документацією та додатковою інформацією про виріб можна ознайомитися наступним чином:

- за допомогою QR-коду на вашому побутовому приладі;
- відвідавши наш веб-сайт docs.indesit.eu;
- або **звернувшись до нашого центру післяпродажного обслуговування клієнтів** (номер телефону зазначено у гарантійному талоні). Звертаючись до центру післяпродажного обслуговування, повідомте коди, зазначені на табличці з паспортними даними виробу.



من المهم قراءتها والالتزام بها

⚠ تنبيه: الجهاز غير مخصص للاستخدام عن طريق جهاز تشغيل خارجي، مثل الميقاتي أو نظام تشغيل عن بعد مستقل.

⚠ هذا الجهاز مخصص للاستخدام في الأغراض المنزلية وما شابهها مثل: منطقة المطبخ في المحلات والمكاتب وبيئات العمل الأخرى، البيوت الريفية، ومن قبل نزلاء الفنادق والموتيلات والفنادق الصغيرة والبيئات الأخرى ذات الطابع السكني.

⚠ ولا يُسمح باستخدامه في أي أغراض أخرى (مثلا تدفئة الغرف).
⚠ هذا الجهاز غير مخصص للاستخدام التجاري. لا تستخدم الجهاز في الهواء الطلق.

⚠ استخدم الأواني والقدر التي لها نفس عرض الشعلات أو التي تزيد قليلا عنه (انظر الجدول المعني). تأكد أن الأوعية المستندة على دعائم لا تبرز خارج حافة الموقد.

⚠ الاستخدام غير الصحيح للشبكات يمكن أن يؤدي إلى إلحاق ضرر بالموقد: لا تضع الشبكات بشكل مقلوب أو تحركها على الموقد.
لا تترك لهب الشعلة يتجاوز حافة الوعاء.

لا تستخدم: الشواريب المصنوعة من الحديد المسبوك والأواني الخزفية والأوعية والأواني المصنوعة من التراكوتا. ناشرات السخونة، مثل الشبكات المعنوية، أو أية أنواع أخرى. شعلتين في نفس الوقت لوعاء واحد (على سبيل المثال غلاية الأسماك).

إذا كانت هناك ظروف محلية خاصة تعيق اشتعال الغاز المسحوب بسهولة، فيُنصح بإعادة التشغيل باستخدام المفتاح مع إدارته إلى إعداد اللمب الصغير.

في حالة تركيب شفاط فوق سطح الطهي، فيرجى الرجوع إلى تعليمات الموقد لمعرفة المسافة الصحيحة.

تمثل القدم المطاطية الواقية المثبتة على الشبكات خطر اختناق الأطفال الصغار. بعد خلع الشبكات، يرجى التأكد من تركيب القدم بالكامل بشكل صحيح.

التركيب

⚠ يجب نقل الجهاز وتركيبه بواسطة شخصين على الأقل - خطر الإصابة. استخدم قفازات واقية لإخراج الجهاز من العبوة ولتركيبه - خطر الإصابة بجروح قطعية.

⚠ يجب أن تكون وصلات الكهرباء والغاز متوائمة مع التشريعات المحلية.

⚠ يجب إجراء عمليات التركيب بما فيها الإمداد بالماء (إذا كان موجودا) والتوصيلات الكهربائية والإصلاح بواسطة فني مؤهل. لا تقم بإصلاح أو استبدال أي جزء من أجزاء الجهاز ما لم ينص على ذلك بصفة خاصة في دليل الاستخدام. أبعد الأطفال عن موقع التركيب. بعد إخراج الجهاز من عبوته، تحقق من عدم تضرره أثناء النقل. في حالة وجود مشاكل، اتصل بالوكيل أو أقرب مركز لخدمة ما بعد البيع. بعد الانتهاء من أعمال التركيب، يجب تخزين مخلفات التغليف (البلاستيك وقطع الستايروفوم إلخ) بعيدا عن متناول الأطفال - خطر الاختناق.

يجب فصل الجهاز عن مصدر الكهرباء قبل التركيب - خطر التعرض لصدمة كهربائية. أثناء التركيب، تحقق من عدم تلف كابل الكهرباء الخاص بالجهاز - خطر الحريق أو صاعقة كهربائية. لا تقم بتشغيل الجهاز إلا بعد اكتمال إجراءات التركيب.

⚠ تحذير: تعديل الجهاز وطريقة تركيبه من الأمور الهامة لاستخدام الجهاز بصورة آمنة وصحيحة في جميع البلدان الأخرى.

⚠ استخدم منظمات ضغط مناسبة لضغط الغاز الموضح في التعليمات
⚠ يجب أن تكون الغرفة مجهزة بنظام شفط الهواء الذي يساهم في تصريف أدخنة الاحتراق.

⚠ ويجب أن تتيح الغرفة حرية تدوير الهواء على النحو السليم، إذ يلزم وجود الهواء لحدوث الاحتراق بشكل صحيح. يجب ألا يقل تدفق الهواء عن 2 متر³/ساعة لكل كيلو واط من القدرة المقررة.

⚠ يمكن لنظام تدوير الهواء أن يسحب الهواء من الخارج مباشرة عن طريق أنبوب بمقطع عرضي خارجي لا يقل عن 100 سم²، يجب ألا تكون الفتحة عرضة لأي نوع من الانسدادات.

⚠ ويمكن للنظام أيضا توفير الهواء اللازم للاحتراق بشكل غير مباشر، أي من خلال الغرف المجاورة المجهزة بأنابيب تدوير الهواء كما هو موضح أعلاه. إلا أنه يجب ألا تكون هذه الغرف هي المخصصة للمعيشة أو النوم أو التي يوجد بها خطر نشوب حريق.

⚠ تسري هذه التعليمات في حالة ظهور رمز البلد على الجهاز. إذا لم يظهر الرمز على الجهاز، يتعين عليك الرجوع إلى التعليمات الفنية التي توفر الإرشادات الضرورية المتعلقة بإجراء التعديلات على الجهاز ليتواءم مع ظروف الاستخدام في البلد.

⚠ تنبيه: ينتج عن استخدام جهاز الطهي الغازي توليد حرارة ورطوبة ونواتج احتراق في الغرفة المثبت بها. تأكد من توفر تهوية جيدة بالمطبخ، وخاصة عند استخدام الجهاز: اترك فتحات التهوية الطبيعية مفتوحة أو قم بتركيب جهاز تهوية ميكانيكي (شفاط أبخرة ميكانيكي). الاستخدام المكثف لفترات طويلة للجهاز قد يتطلب تهوية إضافية، مثل فتح النافذة، أو مزيد من التهوية الأكثر فعالية، على سبيل المثال زيادة مستوى التهوية الميكانيكية (إذا أمكن ذلك).

⚠ عدم اتباع المعلومات الموضحة بهذا الدليل بدقة قد ينتج عنه نشوب حريق أو انفجار، مما يتسبب في تلف الممتلكات أو إصابة الأفراد.
اقرأ تعليمات السلامة هذه قبل استخدام الجهاز. واحتفظ بها في مكان قريب للرجوع إليها مستقبلاً.

تقدم هذه التعليمات والجهاز نفسه تحذيرات هامة خاصة بالسلامة يجب مراعاتها في جميع الأوقات. لا تتحمل الجهة الصانعة أي مسؤولية ناجمة عن عدم مراعاة تعليمات السلامة هذه، أو استخدام الجهاز بطريقة غير سليمة، أو ضبط عناصر التحكم بطريقة غير صحيحة.

⚠ تحذير: في حالة تشقق سطح الموقد، لا تستخدم الجهاز - خطر الصعق الكهربائي.

⚠ تحذير: خطر نشوب حريق: لا تقوم بتخزين أشياء على أسطح الطهي.
⚠ تنبيه: يجب مراقبة عملية الطهي. يجب أيضا مراقبة عمليات الطهي القصيرة بصفة مستمرة.

⚠ تحذير: طهي أطعمة تحتوي على دهون أو زيوت على الموقد دون مراقبة يمكن أن يكون خطيرا - خطر نشوب حريق. لا تحاول أبدا إطفاء اللهب في هذه الحالة باستخدام الماء، بل أطفئ الجهاز ثم قم بتغطية اللهب بغطاء أو ببطانية إطفاء حريق.

⚠ لا تستخدم الموقد كسطح عمل أو كسطح ارتكاز. احتفظ بالملايس والمواد الأخرى القابلة للاشتعال بعيدا عن الجهاز إلى أن تبرد جميع الأجزاء تماما - خطر نشوب حريق.

⚠ يجب إبقاء الأطفال الصغار (0-3 سنوات) بعيدا عن الجهاز. يجب إبقاء الأطفال (3-8 سنوات) بعيدا عن الجهاز إلا في حالة الإشراف المستمر عليهم. يمكن استخدام هذا الجهاز من قبل الأطفال بدءا من عمر 8 سنوات فأكثر والأشخاص الذين يعانون من نقص في القدرات البدنية أو الحسية أو العقلية أو الأشخاص الذين يفتقرون إلى الخبرة والمعرفة، شريطة أن يتم مراقبتهم أو توجيههم إلى كيفية استخدام الجهاز بطريقة آمنة واستيعابهم للأخطار التي ينطوي عليها ذلك. يجب ألا يعيب الأطفال بهذا الجهاز. يحظر على الأطفال تنظيف الجهاز وصيانته دون إشراف.

⚠ تنبيه: في حالة تحطم قرص زجاجي ساخن: قم بإطفاء كافة الشعلات على الفور وكذلك أي عنصر تسخين كهربائي، بالإضافة إلى فصل الجهاز عن مصدر الإمداد بالطاقة، لا تقم بلمس سطح الجهاز، لا تستخدم الجهاز.
قد يتلف الغطاء الزجاجي في حالة تسخينه. قبل غلق الغطاء قم بإطفاء كافة الشعلات والألواح الكهربائية. لا تغلق الغطاء بينما الشعلات مشغلة.

⚠ تحذير: يسخن الجهاز وأجزاؤه التي يمكن الوصول إليها أثناء الاستخدام. يجب توخي الانتباه لتجنب ملامسة عناصر التسخين. يجب إبعاد الأطفال دون سن 8 سنوات إلا إذا كانت هناك ملاحظة وإشراف دائم عليهم.

⚠ يجب ألا يتم ترك الطعام داخل المنتج أو عليه لمدة تزيد على ساعة واحدة قبل أو بعد الطهي.
الاستخدام المسموح به

ضغط الغاز مللي بار			قدرة سخونة منخفضة كيلوواط	الاستهلاك المقدر	المعدل الاسمي للتدفق الحراري كيلوواط	علامة الحاقن	نوع الشعلة	نوع الغاز المستخدم
الحد الأدنى.	اسمي.	الحد الأقصى.						
25	20	17	0,75 0,40 0,40	286 لتر/ساعة 157 لتر/ساعة 95 لتر/ساعة	3,00 1,65 1,00	115 Y 95 Z 72 X	سريعة (R) متوسطة السرعة (SR) إضافية (AUX)	G20 الغاز الطبيعي (الميثان)
35	28-30	20	0,75 0,40 0,40	218 جم/ساعة 120 جم/ساعة 73 جم/ساعة	3,00 1,65 1,00	85 63 50	سريعة (R) متوسطة السرعة (SR) إضافية (AUX)	G30 غاز البترول المسال (البيوتان)
45	37	25	0,75 0,40 0,40	214 جم/ساعة 118 جم/ساعة 71 جم/ساعة	3,00 1,65 1,00	85 63 50	سريعة (R) متوسطة السرعة (SR) إضافية (AUX)	G31 غاز البترول المسال (البيوتان)

نوع الغاز المستخدم	تهينة الموديل 4 شعالت	المعدل الاسمي معدل التدفق (كيلوواط)	المعدل الإجمالي المقدر	الهواء المطلوب (م) لحرق 3م من الغاز
G20 20 مبار	1R - 2SR - 1AUX	7,30	695 لتر/ساعة	9,52
G30 28/30 مبار	1R - 2SR - 1AUX	7,30	532 جم/ساعة	30,94
G31 37 مبار	1R - 2SR - 1AUX	7,30	521 جم/ساعة	23,80

مداد الكهرباء: 220-240 فلت ~ 50-60 هرتز - 6,0 واط



الملائمة لأنواع المختلفة للغاز

(ينبغي إجراء هذه العملية بواسطة فني مؤهل).

⚠️ لغرض تهيئة الجهاز مع نوع غاز آخر يختلف عن النوع المقرر من قبل الجهة الصانعة (موضح على لوحة الصنع)، قم بمراعاة الخطوات الواردة بعد الرسومات الموضحة للتركيب.

التحذيرات الكهربائية

⚠️ هام: معلومات بشأن استهلاك التيار والجهد الكهربائي مذكورة بلوحة التصنيف.

⚠️ يجب أن يكون كابل الكهرباء طويلاً بما يكفي لتوصيل الجهاز بمصدر الكهرباء عند تركيبه في موضعه. لا تسحب كابل الإمداد بالكهرباء.

⚠️ يجب إتاحة فصل الجهاز من مصدر الكهرباء بنزع القابس إن أمكن الوصول إليه، أو باستخدام مفتاح متعدد الأقطاب ومركب عند المقبس بالتوافق مع قواعد التوصيل، ويجب أن يكون الجهاز مؤرضاً، بالتوافق مع مواصفات الأمان الكهربائية المحلية.

⚠️ لا تستخدم أسلاك التمديد، أو المقابس متعددة التوصيلات أو المهايئات. يجب ألا تكون الأجزاء الكهربائية في متناول المستخدم بعد التركيب. لا تستخدم الجهاز وأنت ملبل أو حاف القدمين. لا تقم بتشغيل هذا الجهاز إذا كان هناك تلف في كابل أو قابس الكهرباء، أو إذا لم يكن يعمل بشكل سليم، أو إذا كان تالفاً، أو إذا سقط على الأرض.

⚠️ إذا لحق أي تلف بسلك التوصيل يجب استبداله عن طريق جهة الصنع أو وكيل الصيانة التابع لها أو أي شخص مؤهل بنفس الدرجة وذلك لتجنب المخاطر - خطر التعرض لصدمة كهربائية.

التنظيف والصيانة

⚠️ تحذير: تأكد من إيقاف الجهاز ومن فصله عن مصدر الكهرباء قبل إجراء أية أعمال صيانة، لا تستخدم أبداً أجهزة التنظيف البخار - خطر الصعق الكهربائي.

⚠️ لا تستخدم منتجات أكالة أو كاشطة أو منظفات كلورية أو مسحوق تنظيف الأواني.

⚠️ لتجنب تعرض جهاز الإشعال الكهربائي للتلف، لا تستخدمه إذا كانت الشعلات ليست في مكانها.

التخلص من مواد التغليف

مواد التغليف قابلة لإعادة التدوير بنسبة 100% ومميزة برمز إعادة التدوير ♻️. لذا، يجب التخلص من أجزاء التغليف المختلفة بطريقة مسؤولة وبالتوافق التام مع تشريعات السلطات المحلية بخصوص التخلص من النفايات.

تكوين الأجهزة المنزلية

تم تصنيع هذا الجهاز باستخدام مواد قابلة لإعادة التدوير أو إعادة الاستخدام. تخلص منه وفقاً للوائح المحلية الخاصة بالتخلص من المخلفات. لمزيد من المعلومات حول المعالجة والاسترداد وإعادة التدوير للأجهزة الكهربائية المنزلية، اتصل بالجهة المحلية المختصة أو خدمة جمع النفايات المنزلية أو المتجر الذي اشترت منه الجهاز. هذا الجهاز مميز حسب المواصفة الأوروبية 2012/19/EU، والأجهزة الكهربائية والإلكترونية القديمة (WEEE) ومع تشريعات الأجهزة الكهربائية والإلكترونية القديمة 2013 (وتعدلاتها).

من خلال التأكد من التخلص من هذا المنتج بالطريقة الصحيحة سوف تساعد في منع النتائج السلبية على البيئة وصحة الإنسان.

يشير الرمز ♻️ الموجود على المنتج أو على المستندات المرافقة للمنتج إلى أنه لا ينبغي التعامل مع هذا المنتج على أنه من المخلفات المنزلية، ولكن يجب تسليمه إلى مركز تجميع ملائم لإعادة تدوير الأجهزة الكهربائية والإلكترونية.

نصائح توفير الطاقة

استخدم الأواني والقدر التي لها قاعدة بعرض مساو لنطاق الطهي.

اقتصر على استخدام الأواني والقدر ذات القواعد المستوية.

اترك أغطية الأوعية باستمرار فوقها أثناء الطهي إذا أمكن.

استخدم طنجرة (حلة) الضغط لتوفير مزيد من الطاقة والوقت.

بيان المطابقة

هذا الجهاز يطابق متطلبات التصميم الاقتصادي للتشريع الأوروبي 66/2014 وتشريعات التصميم الاقتصادي للمنتجات المرتبطة بالطاقة والمعلومات (المعدلة) (UE Exit) 2019، بالتوافق مع المواصفة الأوروبية EN 30-2-1.

تجد المعلومات المتعلقة بوضع الطاقة المنخفضة للجهاز وفقاً للائحة (الاتحاد الأوروبي) 2023/826 في الرابط التالي: <https://docs.emea.appliance-docs.eu>

⚠️ يُراعى أن الغاز البترولي المسال يهبط إلى الأرض لأنه أكثر كثافة من الهواء. ولذلك يجب أن تشمل الغرف المزودة بأسطوانات غاز مسال على فتحات للسماح بتصريف الغاز عند وقوع تسريب. وبناءً عليه فإنه يحظر تثبيت أسطوانات الغاز المسال، سواء كانت مملوءة جزئياً أو كلياً، أو حفظها في الغرف أو مناطق التخزين الموجودة أسفل مستوى الأرض (كالسراديب مثلاً). ننصح بإبقاء أسطوانة الغاز المراد استخدامها فقط في الغرفة ووضعها بحيث لا تكون معرضة للسخونة الناتجة عن مصادر الحرارة الخارجية (الأفران والدفائيات والمواقف) التي قد ترفع درجة حرارة الأسطوانة إلى أعلى من 50°م.

إذا واجهتك صعوبة في تدوير مقابض الشعلات، فيرجى الاتصال بخدمة ما بعد البيع لتغيير محبس الشعلات إن كان به خلل. لا يجب أبداً تغطية الفتحات المستخدمة للتهوية وتصريف الحرارة.

⚠️ قم بتنفيذ جميع أعمال قطع الخزانة قبل تركيب الجهاز في المبيت وتخلص بعناية من جميع الرقاقت الخشبية ونشارة الخشب.

⚠️ إذا لم يتم تركيب الجهاز فوق فرن، فيجب تركيب لوح فاصل (غير مورد) في الجزء الموجود أسفل الجهاز.

وصلة الغاز

⚠️ تحذير: قبل التركيب، تأكد من أن شروط التوزيع المحلية (نوع الغاز وضغط الغاز) ومن أن تهيئة الجهاز متوافقة.

⚠️ تحقق من أن ضغط إمداد الغاز يتوافق مع القيم المشار إليها في الجدول "مواصفات الشعلة".

⚠️ تحذير: شروط التهيئة الخاصة بهذا الجهاز مذكورة على الملصق (أو لوحة البيانات).

⚠️ تحذير: هذا الجهاز غير متصل بتجهيزة لإزالة نواتج الاحتراق. ويجب تركيبه وتوصيله وفقاً للوائح التركيب المتبعة. يجب الانتباه جيداً للمتطلبات الخاصة بالتهوية.

⚠️ في حالة توصيل الجهاز بالغاز المسال، فيجب تثبيت برغي الضبط وإحكامه قدر الإمكان.

⚠️ مهم: عند تركيب أسطوانة الغاز أو حاوية الغاز، يجب تثبيتها بشكل صحيح (الاتجاه الرأسي).

⚠️ تحذير: يجب أن تتم هذه العملية بمعرفة فني معتمد.

⚠️ اقتصر على استخدام خرطوم معدني مرن أو صلد لوصلة الغاز.

⚠️ التوصيل بنظام الغاز على النحو الذي يحمي الجهاز من التعرض لأي ضغط أو إجهاد. يوجد تجهيزة أنبوبية شكل L قابلة للضبط بمجرى إمداد الجهاز وهي مزودة بإطار إحكام لمنع التسريبات. ويجب تغيير إطار الإحكام دائماً بعد تدوير التجهيزة الأنبوبية (يتم توريد إطار الإحكام مع الجهاز). التجهيزة الأنبوبية لإمداد الغاز عبارة عن ملحق إدخال أسطواني ملولب 2/1 بوصة.

⚠️ توصيل أنبوب مرن خال من الوصلات ومصنوع من الاستانلس ستيل بالملح المولب. التجهيزة الأنبوبية لإمداد الغاز عبارة عن ملحق إدخال أسطواني ملولب 2/1 بوصة. يجب تركيب هذه الأنابيب بحيث لا يتعدى طولها 2000 مم وهي ممدودة بالكامل. بمجرد أن يتم التوصيل تأكد أن الأنبوب المعدني المرن لا يلامس الأجزاء المتحركة وغير معرض للضغط. اقتصر على استخدام الأنابيب وإطارات الإحكام التي تتوافق مع التشريعات المحلية المعمول بها.

⚠️ هام: في حالة استخدام خرطوم استانلس ستيل، فيجب تركيبه بحيث لا يلامس أي جزء متحرك من قطع الأثاث (مثل الأدرج). ويجب أن يمر عبر منطقة خالية من العوائق تتيح فحصه بكامل طوله.

⚠️ يلزم توصيل الجهاز بمصدر الغاز الرئيسي أو بأسطوانة غاز بالتوافق مع التشريعات المحلية المعمول بها. قبل القيام بالتوصيل يجب التأكد من توافق الجهاز مع مصدر الغاز المراد استخدامه. وإن لم يكن الوضع كذلك، اتبع التعليمات الواردة في فقرة "المواصفة مع نوع غاز آخر".

⚠️ بعد التوصيل بمصدر الغاز، تحقق من عدم وجود تسريبات باستخدام ماء صابوني. قم بإشعال الشعلات وأدر المفاتيح من الوضع الأقصى 1* إلى الوضع الأدنى 2* للتحقق من ثبات اللهب.



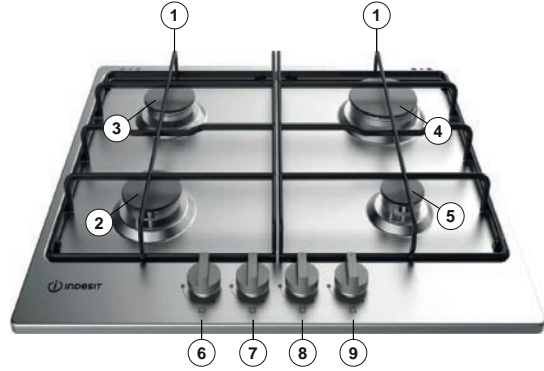
يُرجى مسح رمز الاستجابة السريعة على جهازك من أجل الحصول على مزيد من المعلومات

نشكرك على شرائك أحد منتجات شركة INDESIT للحصول على المزيد من المساعدة التفصيلية، يرجى تسجيل جهازك على www.indesit.com/register



واقرا تعليمات السلامة بعناية قبل استخدام الجهاز.

وصف المنتج



الاستخدام اليومي

طريقة استخدام الموقد

⚠ لا تسمح للهب الشعلات بأن يمتد خارج حافة الإناء.

ملاحظة هامة: قد تصبح منطقة الموقد كلها ساخنة عند وجود الموقد قيد الاستخدام.

- لإشعال إحدى الشعلات، قم بتدوير المفتاح المناسب عكس اتجاه عقارب الساعة إلى ضبط أقصى لهب.
- اضغط المفتاح تجاه لوحة التحكم لإشعال الشعلة.
- بعد اشتعال الشعلة، استمر في الضغط على المفتاح لمدة 5 - 10 ثوان حتى يعمل الجهاز بالطريقة الصحيحة.
- يقوم جهاز أمان الشعلة بإغلاق إمداد الغاز إلى الشعلة إذا انطفأ اللهب بشكل عارض (بسبب تيار هواء مفاجئ، توقف توصيل الغاز، غليان السوائل وفورانها... الخ).
- يجب عدم الضغط على المفتاح أكثر من 15 ثانية. إذا لم تظل الشعلة مشتعلة بعد انتهاء هذه المدة، فانتظر دقيقة على الأقل قبل أن تحاول مرة أخرى.

ملاحظة: إذا أدت ظروف موضعية معينة للغاز الذي يتم توصيله إلى جعل إشعال الشعلة أمراً صعباً، فإننا ننصح بتكرار العملية مع تشغيل الموقد عن طريق تدويره إلى إعداد اللهب المنخفض. قد تنطفئ الشعلة عند تحرير الضغط على المفتاح. يعني ذلك أن جهاز السلامة لم يسخن بدرجة كافية. في هذه الحالة، كرر العمليات السابقة. في حالة أسننة اللهب التي تنطفئ في الشعالت دون قصد، أدر مفتاح التحكم في الشعلة إلى وضع الإيقاف وال تحاول إعادة إشعال الشعلة لمدة دقيقة على الأقل.

نصائح عملية لاستخدام الشعلات

- هذا الموقد به شعلات ذات أطوار مختلفة من أجل الحصول على أداء أفضل للشعلة، يرجى مراعاة القواعد التالية
 - استخدم الأواني والقذور التي يكون عرض قواعدها بنفس عرض الشعلات أو أكبر بقليل (انظر الجدول الموجود في الجانب الأيمن)؛
 - استعمل فقط القذور والأواني ذات القاعدة المسطحة؛
 - استخدم كمية مياه مناسبة لطهي الأطعمة و اترك الغطاء فوق القدر؛
 - تأكد أن القذور التي على الشبكات غير بارزة خارج حافة الموقد؛
 - في حالة المقالى المزودة بقواعد محببة (WOK)، استخدم دعامة الشواية، غير المرفقة، والتي لا؛
 - تجنب الخيط غير المتعمد للموقد بالأواني أو الأرفف أو أدوات المطبخ الأخرى؛
 - تجنب ترك شوايات السنيك فارغة على الشعلة المشعلة لما يزيد عن 5 دقائق.
- ملاحظة هامة: قد يؤدي الاستخدام غير الصحيح للشبكات إلى تلف الموقد؛ لا تضع الشبكات في وضع مقلوب أو تقم بامتتها على الموقد.

الشمعة	قطر أواني الطهي
سريعة (R)	26-24 سم
نصف سريع (SR)	22-16 سم
إضافي (AUX)	8-14 سم

لا تستخدم:

- الأواني المصنوعة من الحديد الزهر أو الأواني والقذور المصنوعة من الفخار.
- ناشرات الحرارة مثل الشبكة المعدنية أو أي أنواع أخرى.
- شعلتان في أن واحد لإناء واحد (مثل غلاية السمك).

الرموز

- دائرة مظلمة: نطاق علوي مغلق
- اللهب الكبير: أقصى فتح/إمداد والإشعال الكهربائي
- اللهب الصغير: أدنى فتحة أو تقليل الإمداد

1. شبكات استناد الأوعية القابلة للفك
2. الشعلة متوسطة السرعة
3. الشعلة متوسطة السرعة
4. الشعلة السريعة
5. الشعلة الإضافية
6. مفتاح التحكم في الشعلة متوسطة السرعة
7. مفتاح التحكم في الشعلة متوسطة السرعة
8. مفتاح التحكم في الشعلة السريعة
9. مفتاح التحكم في الشعلة الإضافية

ضبط الموقد حسب الأنواع المختلفة للغاز

⚠ يجب ألا تتم هذه العملية إلا بواسطة فني مؤهل.

إذا كان الجهاز سيتم استخدامه مع نوع من الغاز مختلف عن الأنواع التي تظهر على لوحة المعايرة والبطاقة الملصقة المثبتة على الموقد من أعلى، فقم بتغيير الحاقنات.

انزع بطاقة المعلومات الملصقة واحتفظ بها مع كتيب التعليمات.

استخدم منظمات الضغط المناسبة للحصول على ضغط الغاز المحدد في التعليمات.

- يجب تغيير حاقن الغاز بمعرفة مركز خدمة ما بعد البيع أو من قبل فني مؤهل؛
- يجب طلب شراء الحاقن غير المرفق مع الجهاز عن طريق مركز خدمة ما بعد البيع.
- اضبط الصنابير على الحد الأدنى.

ملاحظة: في حالة استخدام غاز البترول السائل (G31/G30)، يجب ربط مسمار ضبط الحد الأدنى للغاز حتى آخره.

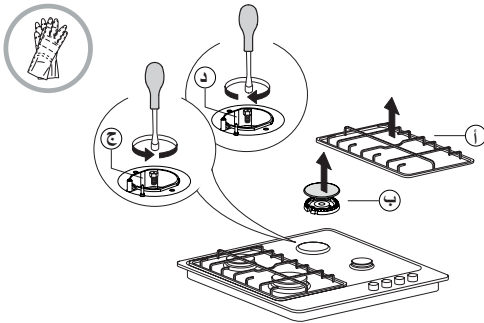
ملاحظة هامة: إذا وجدت صعوبة في تشغيل مفاتيح الشعلات، فالرجاء الاتصال بخدمة ما بعد البيع لاستبدال صنابير الشعلة إذا كان به عطل.

ملاحظة هامة: عند استخدام أسطوانة الغاز، يجب أن يتم تثبيت أسطوانة الغاز أو حاوية الغاز بشكل صحيح (في الاتجاه الراسي).

استبدال الحاقنات (انظر جدول الحاقنات الوارد في نشرة تعليمات السلامة)

⚠ يجب ألا تتم هذه العملية إلا بواسطة فني مؤهل.

- اخلع الشبكة (أ).
- اخلع الشعلات (ب).
- اخلع الحاقن (ج) المراد استبداله باستخدام مفتاح ربط ذي مقاس مناسب.
- استبدله بحاقن مناسب لنوع الغاز الجديد.
- أعد تركيب الحاقن في (د).



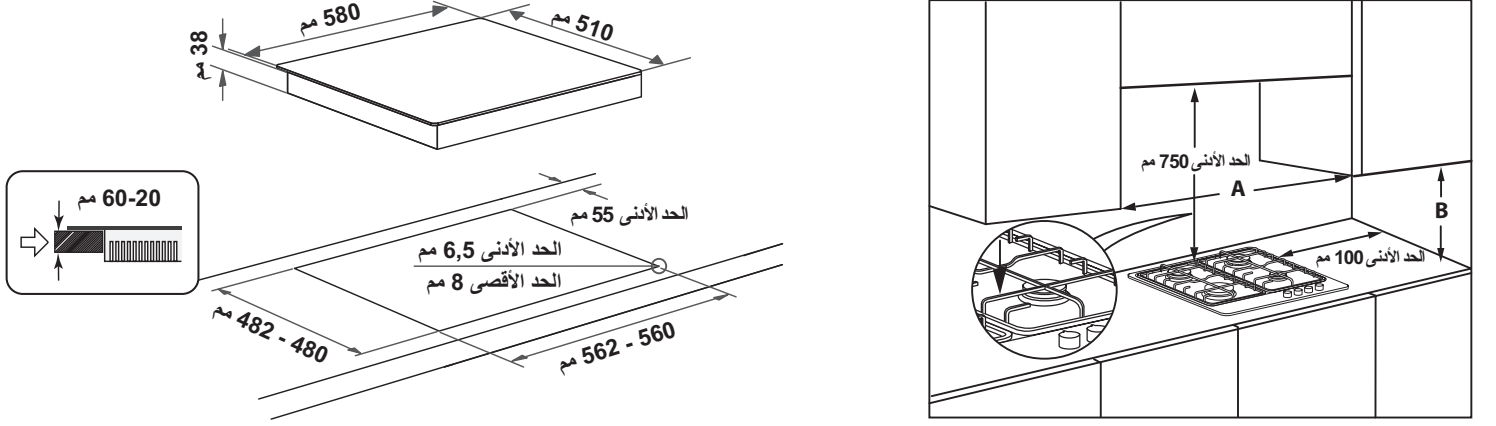
قبل تركيب الموقد، تذكر تثبيت لوحة معايرة الغاز المرفقة مع الحاقنات بالطريقة الموضحة في المعلومات الحالية المتعلقة بمعايرة الغاز.

التوصيل الكهربائي (الفئة 3)

معلومات فنية لمن يقوم بتركيب الجهاز

- استخدم القفازات الواقية من أجل التعامل مع هذا المنتج وتجهيزه وتركيبه.
- يمكن وضع هذا المنتج في طاولة عمل بسطح سمكه 20 إلى 60 مم.
- في حالة عدم وجود فرن أسفل الموقد، أدخل لوحة فاصلة سطحها يساوي على الأقل الفتحة الموجودة في سطح العمل. يجب أن توضع هذه اللوحة على مسافة ال تزيد عن 150 مم أسفل السطح العلوي لسطح العمل، على ال تقل عن 20 مم من الجانب السفلي للموقد بأي حال من الأحوال. إذا كنت تنوي تركيب فرن أسفل الموقد، فتأكد من أنه مزود بنظام تبريد.

الأبعاد والمسافات التي يجب مراعاتها



ملاحظة: إذا كانت المسافة هي «A» بين خزان الحائط بين 600 مم و 730 ملم ، يجب أن يكون الارتفاع الحد الأدنى من 530 ملم. إذا كانت المسافة «A» بين خزان الحائط أكبر من عرض الفرن ، يجب أن يكون الارتفاع «B» الحد الأدنى من 400 ملم. في حالة وجود غطاء فوق الفرن ، من فضلك الرجوع إلى تعليمات غطاء محرك السيارة إلى المسافة الصحيحة.

التركيب

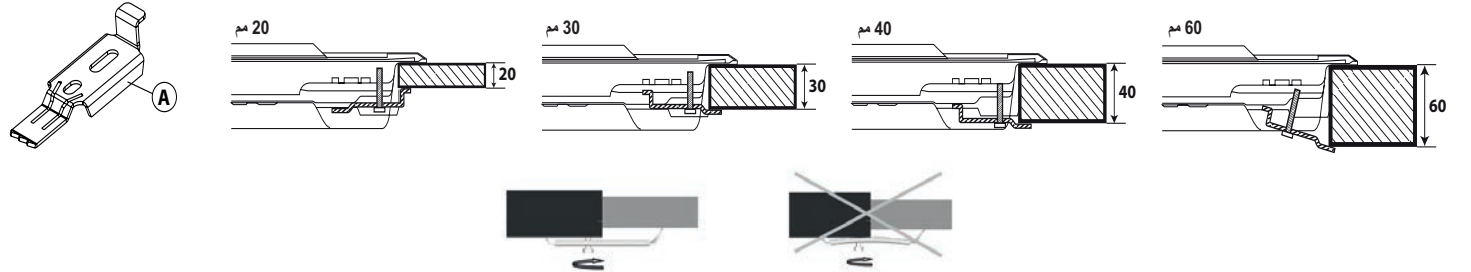
بعد تنظيف السطح الخارجي لهذا المنتج، ضع مانع التسرب المرفق على الموقد كما هو مبين في الشكل.

ضع الموقد في فتحة سطح العمل المجهزة مع مراعاة الأبعاد المحددة في نشرة التعليمات.

ملاحظة: يجب أن يكون كبل توصيل التيار الكهربائي طويلا بحيث يسمح بتمريره لأعلى.



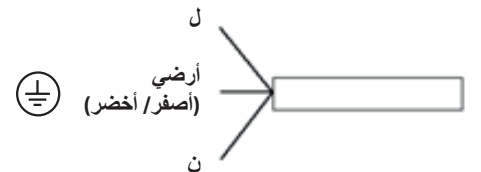
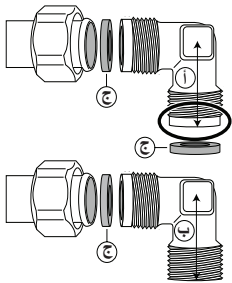
لتثبيت الموقد، استخدم أدوات التثبيت (أ) المرفقة معه. قم بتثبيت أدوات التثبيت في الفتحات المبينة بالسهم واربطها بالمسامير اللولبية حسب سُمك سطح العمل (انظر الأشكال التالية).



توصيل الغاز

- قم بتوصيل الوصلة المرفقية (أ) * أو (ب) * الواردة مع الموقد بأنبوب المدخل الرئيسي مع تركيب فلكة التثبيت (ج) الواردة مع الموقد بما يتفق مع توجيهات المعيار EN 549.
- استخدم الوصلة المرفقية (أ) في فرنسا واستخدام الوصلة المرفقية (ب) في جميع البلدان الأخرى.
- بعد توصيل مصدر الغاز، تأكد من عدم وجود تسرب وذلك باستخدام ماء به صابون. قم بإشعال الشعلات، وتدوير المفاتيح من موضع الحد الأقصى ① إلى موضع الحد الأدنى ② للتأكد من ثبات اللهب.

التوصيل بالتيار الكهربائي



خدمة ما بعد البيع

الرقم التسلسلي (الرقم الوارد بعد كلمة SN على لوحة الصنع الموجودة أسفل الجهاز).
يشار إلى الرقم التسلسلي أيضاً في الوثائق.



Mod. **xxx xxx**
Ind.C. **xxxx xxxx xxxx**
SN: **xxxx xxxx xxxx**
Prod.N. **xxxx xxxx xxxx**

- عنوانك بالكامل،
- رقم هاتفك.

عند الحاجة للقيام بأية إصلاحات، يرجى الاتصال بأحد مراكز خدمة ما بعد البيع المعتمدة (لضمان استخدام قطع الغيار الأصلية وتنفيذ الإصلاحات بشكل صحيح).

- للحصول على مزيد من المساعدة والدعم الشامل، يرجى تسجيل منتجك على الموقع www.indesit.com/register.

قبل الاتصال بخدمة ما بعد البيع:

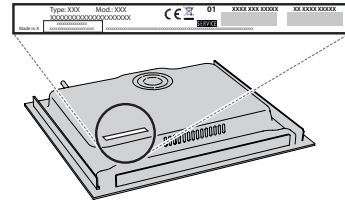
1. تحقق مما إذا كان بمقدورك حل المشكلة بنفسك بمساعدة الاقتراحات المقدمة في دليل التغلب على الأعطال.
2. أوقف الجهاز، ثم أعد تشغيله مرة أخرى للتحقق مما إذا كان العطل لا يزال قائماً.

إذا كان العطل لا يزال قائماً بعد القيام بالفحوصات المذكورة أعلاه، فاتصل بأقرب مركز لخدمة ما بعد البيع.

للحصول على المساعدة اتصل بالرقم المبين في كتيب الضمان أو اتبع التعليمات الموجودة على الموقع الإلكتروني www.indesit.com

عند الاتصال بخدمة ما بعد البيع، يرجى دنما تحديد ما يلي:

- وصف مختصر للعطل،
- نوع الجهاز وطرازه بدقة،

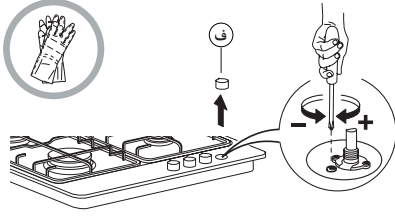


يمكن العثور على السياسات والمستندات القياسية ومعلومات المنتج الإضافية من خلال:

- استخدام كود الاستجابة السريعة بجهازك،
- زيارة موقعنا docs.indesit.eu
- وكبديل، يمكنك الاتصال بخدمة ما بعد البيع لدينا (راجع رقم التليفون في كتيب الضمان). يرجى عند الاتصال بخدمة ما بعد البيع ذكر الأكواد المذكورة على لوحة تمييز المنتج.



ضبط الصنابير على الحد الأدنى للغاز



⚠ يجب ألا تتم هذه العملية إلا بواسطة فني مؤهل.

يجب إجراء الضبط بحيث يكون الصنوبر في موضع ضبط الحد الأدنى للغاز (● لهب صغير).

ليس من الضروري ضبط الهواء الرئيسي في الشعلات.

لضمان ضبط الحد الأدنى بالطريقة الصحيحة، الخلع المفاتيح (ف) واستمر حسب الخطوات التالية

- أحكم ريب المسمار اللولبي لتقليل ارتفاع اللهب (-)؛
- قم بإرخاء المسمار اللولبي لزيادة ارتفاع اللهب (+)؛

في هذه المرحلة، قم بإشعال الشعلات، وتدوير المفاتيح من موضع الحد الأقصى (⊙) إلى موضع الحد الأدنى (● للتأكد من ثبات اللهب.

عند الانتهاء من عملية الضبط، أعد إحكام منع التسرب باستخدام شمع مانع للتسرب أو أي مادة مكافئة

التنظيف والصيانة

⚠ يجب فصل التيار الكهربائي عن الجهاز قبل إجراء الصيانة.

تنظيف أجزاء الموقد

- لا تنظف اللوح الزجاجي والأجزاء المطلية بطبقة الميناء إلا بقطعة قماش ناعمة أو قطعة إسفنجية.
- يمكن خلع الشبكات وأغطية الشعلات والشعلات وتنظيفها.
- قم بتنظيفها باليد باستخدام ماء دافئ ومنظف غير كاشط، وتخلص من أي بقايا طعام وتأكد من عدم انسداد أي فتحة من فتحات الشعلات.
- اشطفه وجفقه.
- يمكن تنظيف الشبكات المصنوعة من حديد الزهر في غسالة الأطباق.
- أزل أي بقايا طعام محترقة قبل وضع الشبكات في الرف السفلي بغسالة الأطباق.
- أعد تركيب الشعلات وأغطية الشعلات بالطريقة الصحيحة في أماكنها المناسبة.
- عند إعادة تركيب الشبكات تأكد أن منطقة حاملات الأواني متوازية مع الشعلة.
- الموديلات المجهزة بقوابس إشعال كهربائية وأداة للسلامة تتطلب تنظيفاً شاملاً لطرف القابض لضمان التشغيل الصحيح. افحص هذه الأشياء بصورة متكررة، وإذا لزم الأمر قم بتنظيفها بقطعة قماش مبللة بالماء. يجب إزالة أي طعام متيبس باستخدام عود تنظيف الأسنان أو إبرة.

ملاحظة: لتجنب تعرض جهاز الإشعال الكهربائي للتلف، لا تستخدمه إذا كانت الشعلات ليست في مكانها.

تنظيف سطح الموقد

- يجب تنظيف كل الأجزاء الزجاجية والمصقولة بماء دافئ ومحلول متعادل.
- الأسطح المصنوعة من الصلب الذي لا يصدأ قد تظهر بها بقع في حالة غسلها بماء به جير أو منظفات قوية وتركها بها لمدة طويلة. يجب مسح أي طعام ينسكب على الموقد (ماء، صلصة، قهوة... الخ) قبل أن يجف.
- يجب أن يتم التنظيف بماء دافئ ومنظف متعادل، ثم تجفيفه بقطعة قماش ناعمة أو قطعة شمواء. تخلص من الأوساخ المتصلبة باستخدام منظفات خاصة بالأسطح المصنوعة من الصلب الذي لا يصدأ (الاستينلس ستيل).
- **ملاحظة:** لا تنظف الأسطح المصنوعة من الصلب الذي لا يصدأ (الاستينلس ستيل) إلا بقطعة قماش ناعمة أو قطعة إسفنجية.
- لا تستخدم منتجات كاشطة أو أكالة أو منظفات الكلور أو منظفات الأواني المصنوعة من المعدن.
- لا تستخدم أجهزة التنظيف بالبخار.
- لا تستخدم منتجات التنظيف القابلة للاشتعال.
- لا تترك مواد حمضية أو قلووية، كالخل أو المستردة أو الملح أو السكر أو عصير الليمون على الموقد.

دليل تحري الأعطال

إذا كان الموقد لا يعمل بالطريقة الصحيحة، فارجع إلى دليل استكشاف الأعطال وإصلاحها لتحديد المشكلة قبل استدعاء خدمة ما بعد البيع

1. تعذر إشعال الشعلة أو اللهب غير متساو

تأكد مما يلي:

- لم يتم غلق مصدر توصيل الغاز أو الكهرباء خاصة إذا كان صنوبر توصيل الغاز مفتوحاً.
- أسطوانة الغاز (الغاز السائل) ليست فارغة.
- فتحات الشعلات ليست مسدودة.
- طرف القابض ليس متسخاً.
- جميع أجزاء الشعلة تم تركيبها بالطريقة الصحيحة.
- عدم مرور تيارات هوائيه بالقرب من الموقد.

2. الشعلة لا تبقى مشتعلة

تأكد مما يلي:

- عند إشعال الشعلة، تم الضغط على المفتاح لمدة كافية من الوقت لتشغيل جهاز الحماية.
- فتحات الشعلات ليست مسدودة بالقرب من وصلة الازدواج الحراري.
- طرف جهاز الأمان ليس متسخاً.
- ضبط الحد الأدنى للغاز صحيح (انظر الفقرة المناسبة).

3. الأواني غير ثابتة

تأكد مما يلي:

- قاع الإناء من أسفل مسطح تماماً.
- الإناء تم وضعه في وسط الشعلة.
- الشبكات لم يتم تبديلها أو تم تركيبها بطريقة خاطئة.

إذا استمر حدوث الخلل بعد هذه الفحوصات، فاتصل بأقرب مركز لخدمة ما بعد البيع.