

Instructions for use

WASHING MACHINE

GB

GB

English,1

DE

Deutsch,13

CZ

Český,25

SK

Slovensky,37

GR

Ελληνικά,49

PT

Português,61

BG

Български,73

EWD 61052

Contents

Installation, 2-3

Unpacking and levelling
Connecting the electricity and water supplies
The first wash cycle
Technical data

Care and maintenance, 4

Cutting off the water or electricity supply
Cleaning the washing machine
Cleaning the detergent dispenser drawer
Caring for the door and drum of your appliance
Cleaning the pump
Checking the water inlet hose

Precautions and tips, 5

General safety
Disposal

Description of the washing machine and starting a wash cycle, 6-7

Control panel
Indicator lights
Starting a wash cycle

Wash cycles, 8

Table of wash cycles
Fast daily cycles

Personalisation, 9

Setting the temperature
Setting the spin speed
Functions

Detergents and laundry, 10

Detergent dispenser drawer
Preparing the laundry
Special wash cycles
Load balancing system

Troubleshooting, 11

Service, 12

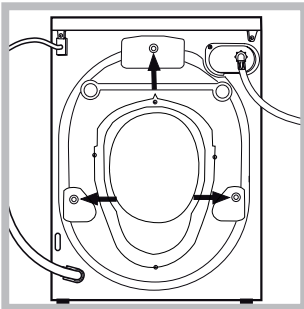
Installation

GB ! This instruction manual should be kept in a safe place for future reference. If the washing machine is sold, transferred or moved, make sure that the instruction manual remains with the machine so that the new owner is able to familiarise himself/herself with its operation and features.
! Read these instructions carefully: they contain vital information relating to the safe installation and operation of the appliance.

Unpacking and levelling

Unpacking

1. Remove the washing machine from its packaging.
2. Make sure that the washing machine has not been damaged during the transportation process. If it has been damaged, contact the retailer and do not proceed any further with the installation process.



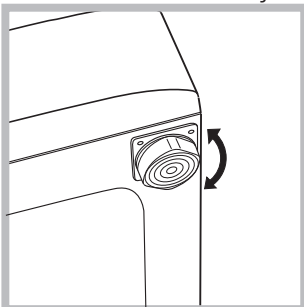
3. Remove the 3 protective screws (used during transportation) and the rubber washer with the corresponding spacer, located on the rear part of the appliance (see figure).

4. Close off the holes using the plastic plugs provided.
5. Keep all the parts in a safe place: you will need them again if the washing machine needs to be moved to another location.

! Packaging materials should not be used as toys for children.

Levelling

1. Install the washing machine on a flat sturdy floor, without resting it up against walls, furniture cabinets or anything else.

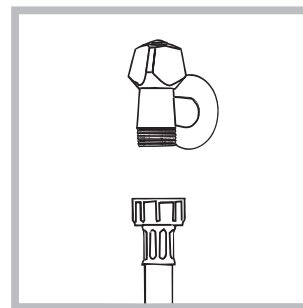


2. If the floor is not perfectly level, compensate for any unevenness by tightening or loosening the adjustable front feet (see figure); the angle of inclination, measured in relation to the worktop, must not exceed 2°.

Levelling the machine correctly will provide it with stability, help to avoid vibrations and excessive noise and prevent it from shifting while it is operating. If it is placed on carpet or a rug, adjust the feet in such a way as to allow a sufficient ventilation space underneath the washing machine.

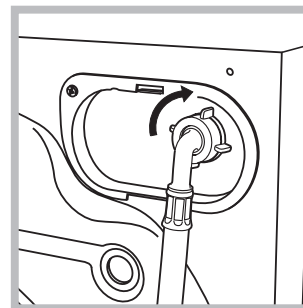
Connecting the electricity and water supplies

Connecting the water inlet hose



1. Connect the supply pipe by screwing it to a cold water tap using a 3/4 gas threaded connection (see figure).

Before performing the connection, allow the water to run freely until it is perfectly clear.



2. Connect the inlet hose to the washing machine by screwing it onto the corresponding water inlet of the appliance, which is situated on the top right-hand side of the rear part of the appliance (see figure).

3. Make sure that the hose is not folded over or bent.

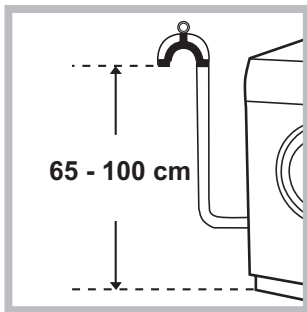
! The water pressure at the tap must fall within the values indicated in the Technical details table (see next page).

! If the inlet hose is not long enough, contact a specialised shop or an authorised technician.

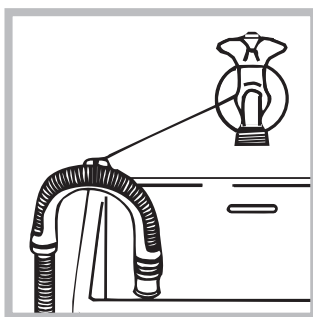
! Never use second-hand hoses.

! Use the ones supplied with the machine.

Connecting the drain hose



Connect the drain hose, without bending it, to a drainage duct or a wall drain located at a height between 65 and 100 cm from the floor;



alternatively, rest it on the side of a washbasin or bathtub, fastening the duct supplied to the tap (see figure). The free end of the hose should not be underwater.

! We advise against the use of hose extensions; if it is absolutely necessary, the extension must have the same diameter as the original hose and must not exceed 150 cm in length.

Electrical connections

Before plugging the appliance into the electricity socket, make sure that:

- the socket is earthed and complies with all applicable laws;
- the socket is able to withstand the maximum power load of the appliance as indicated in the Technical data table (see opposite);
- the power supply voltage falls within the values indicated in the Technical data table (see opposite);
- the socket is compatible with the plug of the washing machine. If this is not the case, replace the socket or the plug.

! The washing machine must not be installed outdoors, even in covered areas. It is extremely dangerous to leave the appliance exposed to rain, storms and other weather conditions.

! When the washing machine has been installed, the electricity socket must be within easy reach.

! Do not use extension cords or multiple sockets.



! The cable should not be bent or compressed.

! The power supply cable must only be replaced by authorised technicians.

Warning! The company shall not be held responsible in the event that these regulations are not respected.

The first wash cycle

Once the appliance has been installed, and before you use it for the first time, run a wash cycle with detergent and no laundry, using the wash cycle **2**.

Technical data	
Model	EWD 61052
Dimensions	width 59.5 cm height 85 cm depth 51,7 cm
Capacity	from 1 to 6 kg
Electrical connections	please refer to the technical data plate fixed to the machine
Water connection	maximum pressure 1 MPa (10 bar) minimum pressure 0.05 MPa (0.5 bar) drum capacity 40 litres
Spin speed	up to 1000 rotations per minute
Test wash cycles in accordance with regulations 1061/2010 and 1015/2010	Programme 14: Eco Cotton 60°C. Programme 14: Eco Cotton 40°C.
 	This appliance conforms to the following EC Directives: - EMC 2014/30/EU (Electromagnetic Compatibility) - LVD 2014/35/EU (Low Voltage) - 2012/19/EU (WEEE)

Care and maintenance

GB

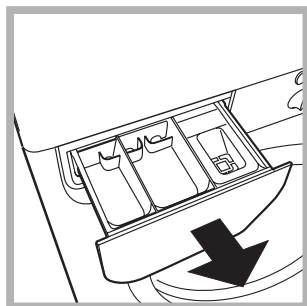
Cutting off the water and electricity supplies

- Turn off the water tap after every wash cycle. This will limit wear on the hydraulic system inside the washing machine and help to prevent leaks.
- Unplug the washing machine when cleaning it and during all maintenance work.

Cleaning the washing machine

The outer parts and rubber components of the appliance can be cleaned using a soft cloth soaked in lukewarm soapy water. Do not use solvents or abrasives.

Cleaning the detergent dispenser drawer



Remove the dispenser by raising it and pulling it out (see figure). Wash it under running water; this operation should be repeated frequently.

Caring for the door and drum of your appliance

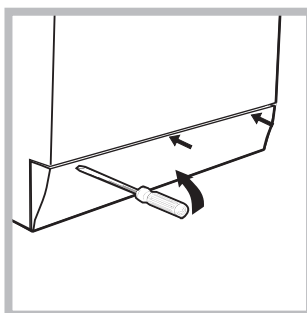
- Always leave the porthole door ajar in order to prevent unpleasant odours from forming.

Cleaning the pump

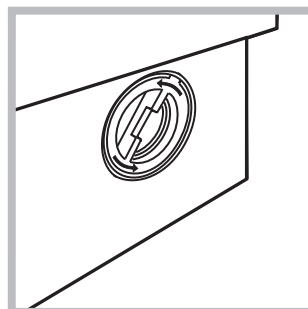
The washing machine is fitted with a self-cleaning pump which does not require any maintenance. Sometimes, small items (such as coins or buttons) may fall into the pre-chamber which protects the pump, situated in its bottom part.

! Make sure the wash cycle has finished and unplug the appliance.

To access the pre-chamber:



1. using a screwdriver, remove the cover panel on the lower front part of the washing machine (see figure);



2. unscrew the lid by rotating it anti-clockwise (see figure): a little water may trickle out. This is perfectly normal;

3. clean the inside thoroughly;
4. screw the lid back on;
5. reposition the panel, making sure the hooks are securely in place before you push it onto the appliance.

Checking the water inlet hose

Check the inlet hose at least once a year. If there are any cracks, it should be replaced immediately: during the wash cycles, water pressure is very strong and a cracked hose could easily split open.

! Never use second-hand hoses.

! This washing machine was designed and constructed in accordance with international safety regulations. The following information is provided for safety reasons and must therefore be read carefully.

Consumers should contact their local authority or retailer for information concerning the correct disposal of their old appliance.

GB

General safety

- This appliance was designed for domestic use only.
- This appliance can be used by children aged from 8 years and above and persons with reduced physical, sensory or mental capabilities or lack of experience and knowledge if they have been given supervision or instruction concerning use of the appliance in a safe way and understand the hazards involved. Children shall not play with the appliance. Cleaning and user maintenance shall not be made by children without supervision.
- Do not touch the machine when barefoot or with wet or damp hands or feet.
- Do not pull on the power supply cable when unplugging the appliance from the electricity socket. Hold the plug and pull.
- Do not open the detergent dispenser drawer while the machine is in operation.
- Do not touch the drained water as it may reach extremely high temperatures.
- Never force the porthole door. This could damage the safety lock mechanism designed to prevent accidental opening.
- If the appliance breaks down, do not under any circumstances access the internal mechanisms in an attempt to repair it yourself.
- Always keep children well away from the appliance while it is operating.
- The door can become quite hot during the wash cycle.
- If the appliance has to be moved, work in a group of two or three people and handle it with the utmost care. Never try to do this alone, because the appliance is very heavy.
- Before loading laundry into the washing machine, make sure the drum is empty.

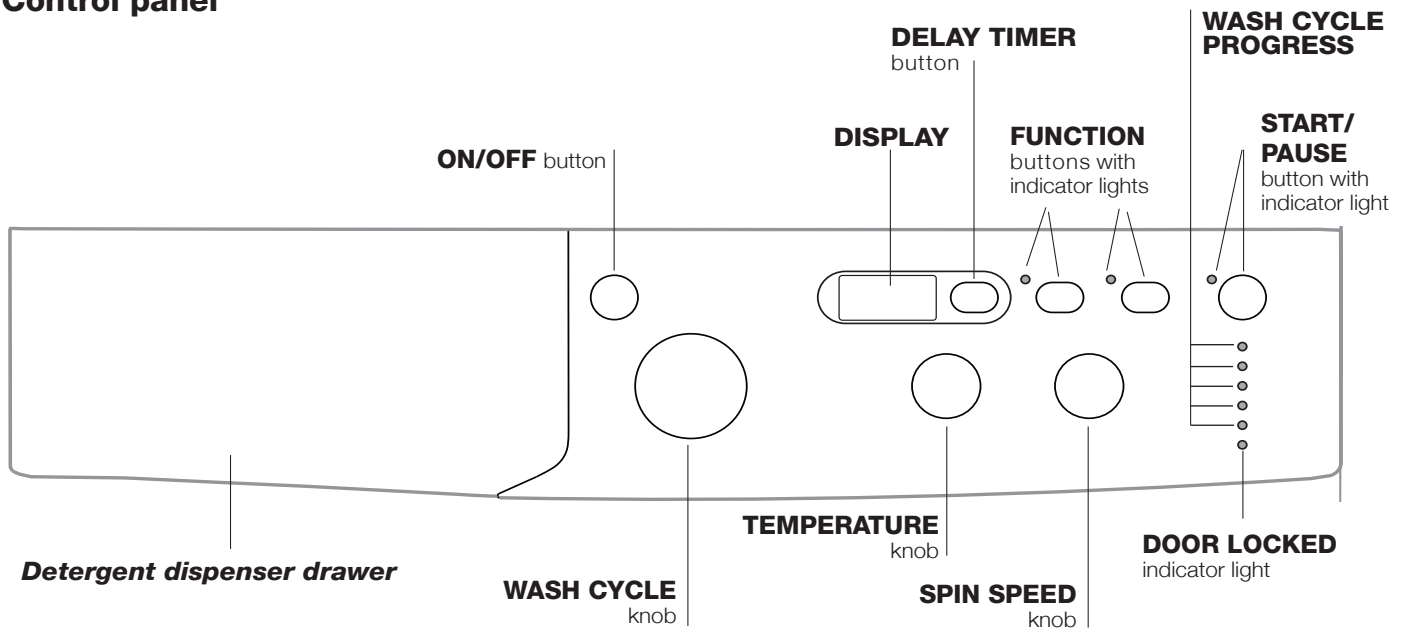
Disposal

- Disposing of the packaging materials: observe local regulations so that the packaging may be re-used.
- The European Directive 2012/19/EU - WEEE on Waste Electrical and Electronic Equipment, requires that old household electrical appliances must not be disposed of in the normal unsorted municipal waste stream. Old appliances must be collected separately in order to optimise the recovery and recycling of the materials they contain and reduce the impact on human health and the environment. The crossed out "wheeled bin" symbol on the product reminds you of your obligation, that when you dispose of the appliance it must be separately collected.

Description of the washing machine and starting a wash cycle

GB

Control panel



Detergent dispenser drawer: used to dispense detergents and washing additives (see “Detergents and laundry”).

ON/OFF button: switches the washing machine on and off.

WASH CYCLE knob: programmes the wash cycles. During the wash cycle, the knob does not move.

FUNCTION buttons with indicator light: used to select the available functions. The indicator light corresponding to the selected function will remain lit.

TEMPERATURE knob: sets the temperature or the cold wash cycle (see “Personalisation”).

SPIN SPEED knob: sets the spin speed or exclude the spin cycle completely (see “Personalisation”).


DISPLAY: used to view the duration of the various cycles available and the remaining time of a cycle in progress; if the DELAY TIMER option has been selected, the countdown to the start of the selected cycle will appear.

DELAY TMER button : press to set a delayed start time for the selected wash cycle. The delay time will be shown on the display.

WASH CYCLE PROGRESS indicator lights: used to monitor the progress of the wash cycle. The illuminated indicator light shows which phase is in progress.

DOOR LOCKED indicator light: indicates whether the door may be opened or not (see next page).

START/PAUSE button with indicator light: starts or temporarily interrupts the wash cycles.

N.B. To pause the wash cycle in progress, press this button; the corresponding indicator light will flash orange, while the indicator light for the current wash cycle phase will remain lit in a fixed manner. If the DOOR LOCKED  indicator light is switched off, the door may be opened (wait approximately 3 minutes). To start the wash cycle from the point at which it was interrupted, press this button again.

Standby mode


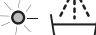


This washing machine, in compliance with new energy saving regulations, is fitted with an automatic standby system which is enabled after about 30 minutes if no activity is detected. Press the ON-OFF button briefly and wait for the machine to start up again.

Indicator lights

The indicator lights provide important information. This is what they can tell you:

Wash cycle phase indicator lights

Once the desired wash cycle has been selected and has begun, the indicator lights switch on one by one to indicate which phase of the cycle is currently in progress.

Wash	○ 
Rinse	○ 
Spin	○ 
Drain	○ 
End of wash cycle	○ END

Function buttons and corresponding indicator lights

When a function is selected, the corresponding indicator light will illuminate.

If the selected function is not compatible with the programmed wash cycle, the corresponding indicator light will flash and the function will not be activated.

If the selected function is not compatible with another function which has been selected previously, the indicator light corresponding to the first function selected will flash and only the second function will be activated; the indicator light corresponding to the enabled option will remain lit.


Door locked indicator light

When the indicator light is on, the porthole door is locked to prevent it from being opened; make sure the indicator light is off before opening the door (wait approximately 3 minutes). To open the door during a running wash cycle, press the START/PAUSE button; the door may be opened once the DOOR LOCKED indicator light turns off.

Starting a wash cycle

1. Switch the washing machine on by pressing the ON/OFF button. All indicator lights will switch on for a few seconds, then they will switch off and the START/PAUSE indicator light will pulse.
2. Load the laundry and close the door.
3. Set the WASH CYCLE knob to the desired programme.
4. Set the washing temperature (see "Personalisation").
5. Set the spin speed (see "Personalisation").
6. Measure out the detergent and washing additives (see "Detergents and laundry").
7. Select the desired functions.
8. Start the wash cycle by pressing the START/PAUSE button and the corresponding indicator light will remain lit in a fixed manner, in green.

To cancel the set wash cycle, pause the machine by pressing the START/PAUSE button and select a new cycle.

9. At the end of the wash cycle the **END** indicator light will switch on. The door can be opened once the DOOR LOCK  indicator light turns off (wait approximately 3 minutes). Take out your laundry and leave the appliance door ajar to make sure the drum dries completely. Switch the washing machine off by pressing the ON/OFF button.

Wash cycles

GB

Table of wash cycles

Wash cycles	Description of the wash cycle	Max. temp. (°C)	Max. speed (rpm)	Detergents			Max. load (kg)	Residual dampness %	Energy consumption kWh	Total water lt	Cycle duration
				Pre-wash	Wash	Fabric softener					
EVERYDAY FAST											
1	Colour Mix 59'	40°	1000	-	●	●	6	-	-	-	59'
2	Cotton 59'	60°	1000	-	●	●	6	-	-	-	59'
3	Synthetics 59'	30°	1000	-	●	●	3	-	-	-	59'
4	Daily 45'	40°	1000	-	●	●	3	-	-	-	45'
5	Mix 30'	30°	800	-	●	●	3	70	0.17	31	30'
Special&Partial											
6	Gym Kit	40°	600	-	●	●	3	-	-	-	**
7	Whites: extremely soiled whites.	60° (Max.90°)	1000	●+90°	●	●	6	-	-	-	**
8	Baby: Heavily soiled delicate colours.	40°	800	-	●	●	2	-	-	-	**
9	Rinse	-	1000	-	-	●	6	-	-	-	**
10	Spin + Drain	-	1000	-	-	-	6	-	-	-	**
10	Only Drain *	-	⊘	-	-	-	6	-	-	-	**
Dedicated											
11	Duvet: for down-stuffed garments.	30°	1000	-	●	●	1.5	-	-	-	**
12	Wool: for wool, cashmere, etc.	40°	800	-	●	●	1	-	-	-	**
13	Silk/Curtains: for garments in silk and viscose, lingerie.	30°	0	-	●	●	1	-	-	-	**
14	Eco Cotton 60° (1): heavily soiled whites and resistant colours.	60°	1000	-	●	●	6	62	0.90	50.0	240'
14	Eco Cotton 40° (2): lightly soiled whites and delicate colours.	40°	1000	-	●	●	6	62	0.97	63	230'
15	Cotton (3): lightly soiled whites and delicate colours.	40° (Max.60°)	1000	-	●	●	6	62	0.97	63	230'
16	Synthetics (4): lightly soiled resistant colours.	40° (Max.60°)	1000	-	●	●	3	44	0.68	45	115'

* If you select programme 10 and exclude the spin cycle, the machine will drain only.

** The duration of the wash cycle can be checked on the display.

The length of cycle shown on the display or in this booklet is an estimation only and is calculated assuming standard working conditions. The actual duration can vary according to factors such as water temperature and pressure, the amount of detergent used, the amount and type of load inserted, load balancing and any wash options selected.

1) Test wash cycle in compliance with regulations 1061/2010: set wash cycle 14 with a temperature of 60°C.

This cycle is designed for cotton loads with a normal soil level and is the most efficient in terms of both electricity and water consumption; it should be used for garments which can be washed at 60°C. The actual washing temperature may differ from the indicated value.

2) Test wash cycle in compliance with regulations 1061/2010: set wash cycle 14 with a temperature of 40°C.

This cycle is designed for cotton loads with a normal soil level and is the most efficient in terms of both electricity and water consumption; it should be used for garments which can be washed at 40°C. The actual washing temperature may differ from the indicated value.

For all Test Institutes:

3) Long wash cycle for cottons: set wash cycle 15 with a temperature of 40°C.

4) Long wash cycle for synthetics: set wash cycle 16; with a temperature of 40°C.

Fast daily cycles

A complete set of fast programmes to wash the most commonly used fabrics - even with a full load - and to remove the most frequent daily dirt in less than 1 hour.

Colour Mix 59': to wash mixed and coloured items together.

Cotton 59': cycle designed to wash cotton garments - mainly white items. It can be used with powder detergent too.

Synthetics 59': specific for synthetic items. If the dirt is difficult to remove, the temperature can be increased up to 60° and powder detergent can be used too.

Daily 45': short cycle designed to wash delicate cotton items.

Mix 30': short cycle designed to wash a mixed load of cotton and synthetic fabrics - white and coloured items together.

Setting the temperature

Turn the TEMPERATURE knob to set the wash temperature (see *Table of wash cycles*).

The temperature may be lowered, or even set to a cold wash .

The washing machine will automatically prevent you from selecting a temperature which is higher than the maximum value set for each wash cycle.

! Exception: if the **7** programme is selected, the temperature can be increased up to a value of 90°C.

! Exception: if the **15** programme is selected, the temperature can be increased up to a value of 60°C.


! Exception: if the **16** programme is selected, the temperature can be increased up to a value of 60°C.

Setting the spin speed

Turn the SPIN SPEED knob to set the spin speed for the selected wash cycle.

The maximum spin speeds available for each wash cycle are as follows:

Wash cycles	Maximum spin speed
Cottons	1000 rpm
Synthetics	1000 rpm
Wool	800 rpm
Silk	drain only

The spin speed may be lowered, or the spin cycle can be excluded altogether by selecting the symbol .

The washing machine will automatically prevent you from selecting a spin speed which is higher than the maximum speed set for each wash cycle.

Functions

The various wash functions available with this washing machine will help to achieve the desired results, every time.


To activate the functions:

1. Press the button corresponding to the desired function;
2. the function is enabled when the corresponding indicator light is illuminated.


Note:

- If the selected function is not compatible with the programmed wash cycle, the corresponding indicator light will flash and the function will not be activated.
- If the selected function is not compatible with another function which has been selected previously, the indicator light corresponding to the first function selected will flash and only the second function will be activated; the indicator light corresponding to the enabled option will remain lit.


Delay timer

To set a delayed start for the selected programme, press the corresponding button repeatedly until the required delay period has been reached. When this option is enabled, the  symbol lights up on the display. To remove the delayed start option press the button until the text "OFF" appears on the display.

Extra Wash

Enable the **Extra Wash**  option for very dirty items, where compatible. Press this option to let the cycle automatically re-adjust all wash parameters through a longer lasting cycle. The option always leaves the temperature unchanged, while the spin cycle is automatically brought back to maximum levels. The user can set the spin cycle back to the desired value at any time.

Energy Saver

The **Energy Saver**  option washes cotton and synthetic items, saving energy and helping the environment. Energy saving is due to a cold wash cycle, while an enhanced mechanical action and optimised water use make it possible to reach the desired result. Recommended for slightly soiled garments. Use of liquid detergent recommended.

Detergents and laundry

GB

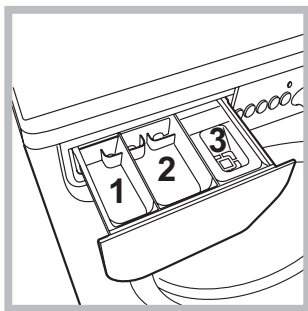
Detergent dispenser drawer

Good washing results also depend on the correct dose of detergent: adding too much detergent will not necessarily result in a more efficient wash, and may in fact cause build up on the inside of your appliance and contribute to environmental pollution.

! Do not use hand washing detergents because these create too much foam.

! Use powder detergent for white cotton garments, for pre-washing, and for washing at temperatures over 60°C.

! Follow the instructions given on the detergent packaging.



Open the detergent dispenser drawer and pour in the detergent or washing additive, as follows.

compartment 1: Pre-wash detergent (powder)
compartment 2: Detergent for the wash cycle (powder or liquid)

Liquid detergent should only be poured in immediately prior to the start of the wash cycle.

compartment 3: Additives (fabric softeners, etc.)

The fabric softener should not overflow the grid.

Note: If a "tablet detergent" is used, always follow the manufacturer's instructions.

Preparing the laundry

- Divide the laundry according to:
 - the type of fabric/the symbol on the label
 - the colours: separate coloured garments from whites.
- Empty all garment pockets and check the buttons.
- Do not exceed the values listed in the "Table of wash cycles", which refer to the weight of the laundry when dry.

How much does your laundry weigh?

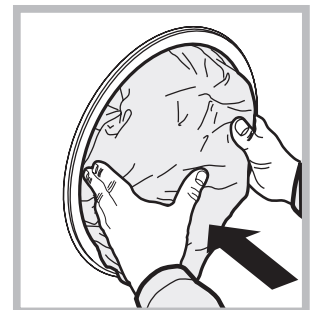
- 1 sheet 400-500 g
- 1 pillow case 150-200 g
- 1 tablecloth 400-500 g
- 1 bathrobe 900-1200 g
- 1 towel 150-250 g


Special wash cycles

Gym Kit: cycle suitable to wash all sports items together, including gym towels, while respecting their fibres (follow the instructions in the garment labels).

Baby: cycle designed for dirt typical of children's garments in that it effectively removes any traces of residual detergent.

Duvet: to wash single duvets (the weight of which should not exceed 1,5 kg), cushions or clothes padded with goose down such as puffer jackets, use the special wash cycle number **11**. We recommend that duvets are placed in the drum with their edges folded inwards (see figure) and that no more than $\frac{3}{4}$ of the total volume of the drum is used. To achieve the best results, we recommend that a liquid detergent is used and placed inside the detergent dispenser drawer.



Wool: all wool garments can be washed using programme **12**, even those carrying the "hand-wash only"  label. For best results, use special detergents and do not exceed 1 kg of laundry.

Silk: use special wash cycle **13** to wash all silk garments. We recommend the use of special detergent which has been designed to wash delicate clothes.

Curtains: fold curtains and place them in a pillow case or mesh bag. Use wash cycle **13**.

Load balancing system

Before every spin cycle, to avoid excessive vibrations and to distribute the load in a uniform manner, the drum rotates continuously at a speed which is slightly greater than the washing rotation speed. If, after several attempts, the load is not balanced correctly, the machine spins at a reduced spin speed. If the load is excessively unbalanced, the washing machine performs the distribution process instead of spinning. To encourage improved load distribution and balance, we recommend small and large garments are mixed in the load.

Your washing machine could fail to work. Before contacting the Technical Assistance Centre (see “Assistance”), make sure that the problem cannot be not solved easily using the following list.

Problem:

Possible causes / Solutions:

The washing machine does not switch on.

- The appliance is not plugged into the socket fully, or is not making contact.
- There is no power in the house.

The wash cycle does not start.

- The washing machine door is not closed properly.
- The ON/OFF button has not been pressed.
- The START/PAUSE button has not been pressed.
- The water tap has not been opened.
- A delayed start has been set (see “Personalisation”).

The washing machine does not take in water (“H2O” will flash on the display).

- The water inlet hose is not connected to the tap.
- The hose is bent.
- The water tap has not been opened.
- There is no water supply in the house.
- The pressure is too low.
- The START/PAUSE button has not been pressed.

The washing machine continuously takes in and drains water.

- The drain hose is not fitted at a height between 65 and 100 cm from the floor (see “Installation”).
- The free end of the hose is under water (see “Installation”).
- The wall drainage system is not fitted with a breather pipe.

If the problem persists even after these checks, turn off the water tap, switch the appliance off and contact the Assistance Service. If the dwelling is on one of the upper floors of a building, there may be problems relating to water drainage, causing the washing machine to fill with water and drain continuously. Special anti-draining valves are available in shops and help to avoid this inconvenience.

The washing machine does not drain or spin.

- The wash cycle does not include draining: some wash cycles require the drain phase to be started manually.
- The drain hose is bent (see “Installation”).
- The drainage duct is clogged.

The washing machine vibrates a lot during the spin cycle.

- The drum was not unlocked correctly during installation (see “Installation”).
- The washing machine is not level (see “Installation”).
- The washing machine is trapped between cabinets and walls (see “Installation”).

The washing machine leaks.

- The water inlet hose is not screwed on properly (see “Installation”).
- The detergent dispenser drawer is blocked (for cleaning instructions, see “Care and maintenance”).
- The drain hose is not fixed properly (see “Installation”).

The “function” indicator lights and the “start/pause” indicator light flash, while one of the “phase in progress” indicator lights and the “door locked” indicator light will remain lit in a fixed manner.

- Switch off the machine and unplug it, wait for approximately 1 minute and then switch it back on again.
If the problem persists, contact the Technical Assistance Service.

There is too much foam.

- The detergent is not suitable for machine washing (it should display the text “for washing machines” or “hand and machine wash”, or the like).
- Too much detergent was used.

Service

GB

Before calling for Assistance:

- Check whether you can solve the problem alone (see "Troubleshooting");
- Restart the programme to check whether the problem has been solved;
- If this is not the case, contact an authorised Technical Assistance Centre using the telephone number provided on the guarantee certificate.

! Always request the assistance of authorised technicians.

Have the following information to hand:

- the type of problem;
- the appliance model (Mod.);
- the serial number (S/N).

This information can be found on the data plate applied to the rear of the washing machine, and can also be found on the front of the appliance by opening the door.

COMMISSION DELEGATED REGULATION (EU) No 1061/2010	
Brand	INDESIT
Model	EWD 61052 W EU/1
Rated capacity in kg of cotton	6
Energy efficiency class on a scale from A+++ (low consumption) to G (high consumption)	A++
Energy consumption per year in kWh ¹⁾	173
Energy consumption of the standard 60 °C cotton programme at full load in kWh ²⁾	0.907
Energy consumption of the standard 60 °C cotton programme at partial load in kWh ²⁾	0.668
Energy consumption of the standard 40 °C cotton programme at partial load in kWh ²⁾	0.584
Power consumption of the off-mode in W	0.5
Power consumption of the left-on mode in W	8
Water consumption per year in litres ³⁾	8400
Spin-drying efficacy class on a scale from G (minimum efficacy) to A (maximum efficacy)	C
Maximum spin speed attained ⁴⁾	1000
Remaining moisture content ⁵⁾	62.0%
Programme time of the "standard 60 °C cotton" at full load in minutes	240
Programme time of the "standard 60 °C cotton" at partial load in minutes	190
Programme time of the "standard 40°C cotton" at partial load in minutes	185
Duration of the left-on mode in minutes	30
Noise in dB(A) re 1 pW washing ⁶⁾	60
Noise in dB(A) re 1 pW spinning ⁶⁾	80
Built-in model	

¹⁾ The "standard 60°C cotton" at full and partial load and the "standard 40°C cotton" at partial load are the standard washing programmes to which the information in the label and the fiche relates. Standard 60°C cotton and standard 40°C cotton are suitable to clean normally soiled cotton laundry and are the most efficient programmes in terms of combined energy and water consumption. Partial load is half the rated load.

²⁾ Based on 220 standard washing cycles for cotton programmes at 60°C and 40°C at full and partial load, and the consumption of the low-power modes. Actual energy consumption will depend on how the appliance is used.

³⁾ Based on 220 standard washing cycles for cotton programmes at 60°C and 40°C at full and partial load. Actual water consumption will depend on how the appliance is used.

⁴⁾ For the standard 60 °C at full and partial load or the 40°C at partial whichever is lower.

⁵⁾ Attained for 60 °C cotton at full and partial load or the 40°C at partial whichever is higher.

⁶⁾ Based on washing and spinning phases for the standard 60°C cotton programme at full load.

DE

Deutsch

EWD 61052

INHALTSVERZEICHNIS

Installation 14-15

Auspacken und Aufstellen
Wasser- und Elektroanschlüsse
Erster Waschgang
Technische Daten

Reinigung und Pflege 16

Abstellen der Wasser- und Stromversorgung
Reinigung des Gerätes
Reinigung der Waschmittelschublade
Pflege der Gerätetür und Trommel
Reinigung der Pumpe
Kontrolle des Wasserzulaufschlauchs

Vorsichtsmaßnahmen und Hinweise 17

Allgemeine Sicherheit
Entsorgung

Beschreibung des Waschvollautomaten und Starten eines Waschprogramms 18-19

Bedienblende
Kontrollleuchten
Starten eines Waschprogramms

Waschprogramme, 20

Programmtabelle
Schnelle Tageszyklen

Personalisierungen 21

Temperatureinstellung
Schleudereinstellung
Funktionen

Waschmittel und Wäsche 22

Waschmittelschublade
Vorsortieren der Wäsche
Besondere Wäscheteile
Unwuchtkontrollsystem

Störungen und Abhilfe 23

Kundendienst 24

Installation

DE

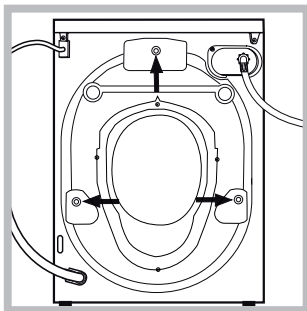
! Es ist äußerst wichtig, diese Bedienungsanleitung sorgfältig aufzubewahren, um sie jederzeit zu Rate ziehen zu können. Sorgen Sie dafür, dass sie im Falle eines Umzugs oder einer Übergabe an einen anderen Benutzer das Gerät stets begleitet, damit auch der neue Inhaber die Möglichkeit hat, diese zu Rate zu ziehen.

! Lesen Sie die Hinweise bitte aufmerksam durch, sie liefern wichtige Informationen hinsichtlich der Installation, des Gebrauchs und der Sicherheit.

Auspacken und Aufstellen

Auspacken

1. Gerät auspacken.
2. Sicherstellen, dass der Waschvollautomat keine Transportschäden erlitten hat. Im Falle einer Beschädigung Gerät bitte nicht anschließen, sondern den Kundendienst anfordern.

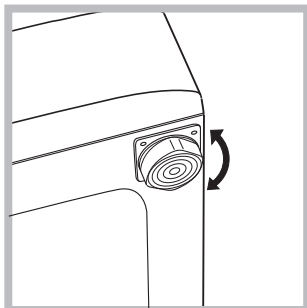


3. Die **3** Transportschutzschrauben herausschrauben und die an der Geräterückwand befindlichen Distanzstücke aus Gummi entfernen (siehe Abbildung).

4. Die Öffnungen mittels der mitgelieferten Abdeckungen verschliessen.
 5. Sämtliche Teile aufbewahren: Sollte der Waschautomat erneut transportiert werden, müssen diese Teile wieder eingesetzt werden.
- ! Verpackungsmaterial ist kein Spielzeug für Kinder.

Nivellierung

1. Der Waschvollautomat muss auf einem ebenen, festen, schwingungsfreien Untergrund aufgestellt werden ohne diesen an Wände, Möbel etc. direkt anzulehnen.



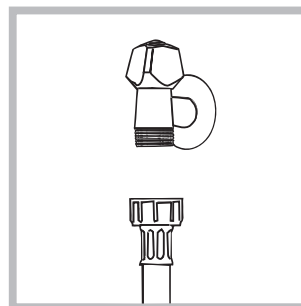
2. Sollte der Boden nicht perfekt eben sein, müssen die Unebenheiten durch An- bzw. Ausdrehen der vorderen Stellfüße ausgeglichen werden (siehe Abbildung), der auf der Arbeitsfläche zu ermittelnde Neigungsgrad darf 2°

nicht überschreiten.

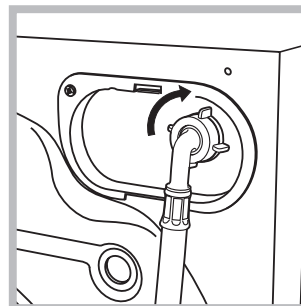
Eine präzise Nivellierung verleiht dem Gerät die erforderliche Stabilität, durch die Vibrationen, Betriebsgeräusche und ein Verrücken des Gerätes vermieden werden. Bei Teppichböden müssen die Stellfüße so reguliert werden, dass ein ausreichender Freiraum zur Belüftung unter dem Waschvollautomaten gewährleistet ist.

Wasser- und Elektroanschlüsse

Anschluss des Zulaufschlauches



1. Schrauben Sie den Wasserschlauch an einen Kaltwasserhahn mit $\frac{3}{4}$ -GAS-Gewindeanschluss an (siehe Abb.). Lassen Sie das Wasser vor dem Anschluss so lange auslaufen, bis klares Wasser austritt.



2. Das andere Ende des Schlauches an den oben rechts am Rückteil des Waschvollautomaten befindlichen Wasseranschluss anschließen (siehe Abbildung).

3. Der Schlauch darf hierbei nicht eingeklemmt oder abgeknickt werden.

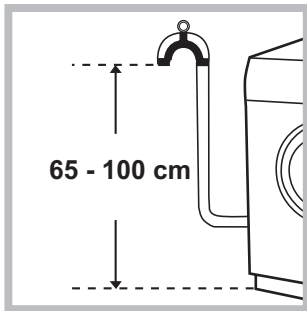
! Der Wasserdruck muss innerhalb der Werte liegen, die in der Tabelle der technischen Daten angegeben sind (siehe nebenstehende Seite).

! Sollte der Zulaufschlauch nicht lang genug sein, dann wenden Sie sich bitte an einen Fachhändler oder an einen autorisierten Fachmann.

! Verwenden Sie niemals bereits gebrauchte Schläuche.

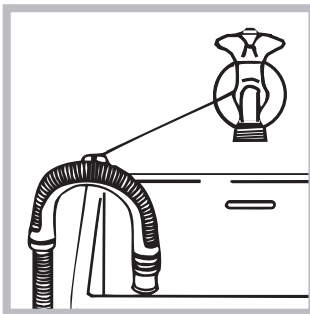
! Verwenden Sie die Schläuche, die mit dem Gerät geliefert wurden.

Anschluss des Ablaufschlauches



Schließen Sie den Ablaufschlauch ohne ihn dabei abzuknicken an einen geeigneten Abfluss an. Die Mindestablaufhöhe beträgt 65 - 100 cm (gemessen vom Boden), oder hängen Sie diesen mittels des Schlauchhalters gesichert in

ein Becken oder Wanne ein;



Befestigen Sie diesen mittels des mitgelieferten Schlauchhalters z.B. an einen Wasserhahn (siehe Abbildung). Das freie Ablaufschlauchende darf nicht unter Wasser positioniert werden.

! Verlängerungsschläuche sollten nicht eingesetzt werden. Sollte dies unvermeidlich sein, muss die Verlängerung denselben Durchmesser des Originalschlauchs aufweisen und darf eine Länge von 150 cm nicht überschreiten.

Stromanschluss

Vor Einfügen des Netzsteckers in die Steckdose ist sicherzustellen, dass:

- die Steckdose über eine normgerechte Erdung verfügt;
- die Steckdose die in den Technischen Daten angegebenen Höchstlast des Gerätes trägt (siehe *nebenstehende Tabelle*);
- die Stromspannung den in den Technischen Daten angegebenen Werten entspricht (siehe *nebenstehende Tabelle*);
- die Steckdose mit dem Netzstecker des Waschvollautomaten kompatibel ist. Andernfalls muss der Netzstecker (oder die Steckdose) ersetzt werden.

! Der Waschvollautomat darf nicht im Freien installiert werden, auch nicht, wenn es sich um einen geschützten Platz handelt. Es ist gefährlich, das Gerät Gewittern und Unwettern auszusetzen.

! Die Steckdose sollte nach installiertem Gerät leicht zugänglich sein.

! Verwenden Sie bitte keine Verlängerungen oder Mehrfachstecker.

! Das Netzkabel darf nicht gebogen bzw. eingeklemmt werden.

! Das Versorgungskabel darf nur durch autorisierte Fachkräfte ausgetauscht werden.

Achtung! Der Hersteller übernimmt keinerlei Haftung, sollten diese Vorschriften nicht genau beachtet werden.

Erster Waschgang

Lassen Sie nach der Installation bzw. vor erstmaligem Gebrauch erst einen Waschgang (mit Waschmittel) ohne Wäsche durchlaufen. Stellen Sie hierzu das Waschprogramm **2** ein.

Technische Daten

Modell	EWD 61052
Abmessungen	Breite 59,5 cm Höhe 85 cm Tiefe 51,7 cm
Fassungsvermögen	1 bis 6 kg
Elektroanschlüsse	siehe das am Gerät befindliche Typenschild
Wasseranschlüsse	Höchstdruck 1 MPa (10 bar) Mindestdruck 0,05 MPa (0,5 bar) Trommelvolumen 40 Liter
Schleudertouren	bis zu 1000 U/min.
Prüfprogramme gemäß der Richtlinien 1061/2010 und 1015/2010	Programm 14: Eco Baumwolle 60°C. Programm 14: Eco Baumwolle 40°C.



Dieses Gerät entspricht den folgenden EG-Richtlinien:
- EMC 2014/30/EU (Elektromagnetische Verträglichkeit) und nachfolgenden Änderungen
- 2012/19/EU - WEEE
- LVD 2014/35/EU (Niederspannung)

Reinigung und Pflege

DE

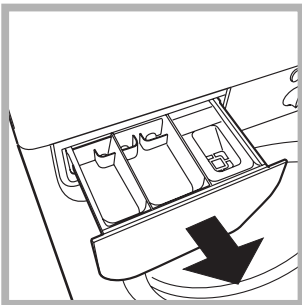
Abstellen der Wasser- und Stromversorgung

- Drehen Sie den Wasserhahn nach jedem Waschvorgang zu. Hierdurch wird der Verschleiß der Wasseranlage verringert und Wasserlecks vorgebeugt.
- Ziehen Sie den Netzstecker aus der Steckdose, bevor Sie Ihren Waschvollautomaten reinigen.

Reinigung des Gerätes

Die Gehäuseteile und die Teile aus Gummi können mit einem mit warmer Spülmittellauge angefeuchteten Tuch gereinigt werden. Vermeiden Sie Löse- und Scheuermittel

Reinigung der Waschmittelschublade



Heben Sie die Schublade leicht an und ziehen Sie sie nach vorne hin heraus (siehe Abbildung). Spülen Sie sie regelmäßig unter fließendem Wasser gründlich aus.

Pflege der Gerätetür und Trommel

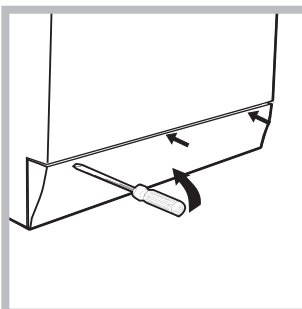
- Lassen Sie die Gerätetür stets leicht offen stehen, um die Bildung unangenehmer Gerüche zu vermeiden.

Reinigung der Pumpe

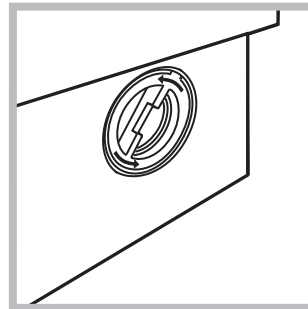
Ihr Gerät ist mit einer selbstreinigenden Pumpe ausgerüstet, eine Wartung ist demnach nicht erforderlich. Es könnte jedoch vorkommen, dass kleine Gegenstände (Münzen, Knöpfe) in die zum Schutz der Pumpe dienende Vorkammer (befindlich unter der Pumpe) fallen.

! Vergewissern Sie sich, dass der Waschgang abgeschlossen ist und ziehen Sie den Netzstecker heraus.

Zugang zur Vorkammer:



1. Nehmen Sie die Abdeckung (befindlich an der Gerätefront) mit Hilfe eines Schraubenziehers ab (siehe Abbildung);



2. Drehen Sie den Deckel gegen den Uhrzeigersinn ab (siehe Abbildung); es ist ganz normal, wenn etwas Wasser austritt;

3. Reinigen Sie das Innere gründlich;
4. Schrauben Sie den Deckel wieder auf;
5. Bringen Sie die Abdeckung wieder an. Stellen Sie hierbei sicher, dass die Haken in die Schlitze eingreifen, bevor Sie die Abdeckung fest andrücken.

Kontrolle des Wasserzulaufschlauchs

Kontrollieren Sie den Zulaufschlauch mindestens einmal im Jahr. Weist er Risse bzw. Brüche auf, muss er ausgetauscht werden. Der starke Druck während des Waschprogramms könnte zu plötzlichem Platzen führen.

! Verwenden Sie niemals bereits gebrauchte Schläuche.

! Der Waschvollautomat wurde nach den strengsten internationalen Sicherheitsvorschriften entworfen und gebaut. Nachstehende Hinweise werden aus Sicherheitsgründen geliefert und sollten aufmerksam gelesen werden.

Allgemeine Sicherheit

- Dieses Gerät wurde ausschließlich für den Einsatz im privaten Haushalt konzipiert.
- Dieses Gerät darf von Kindern ab 8 Jahren und von Personen mit eingeschränkten körperlichen, sensorischen oder geistigen Fähigkeiten oder mit unzureichender Erfahrung und Kenntnis verwendet werden, vorausgesetzt, sie werden überwacht oder sie haben eine ausreichende Einweisung in die sichere Nutzung des Geräts erhalten und haben die damit verbundenen Gefahren verstanden. Erlauben Sie Kindern nicht, mit dem Gerät zu spielen. Wartung und Reinigung dürfen nicht von unbeaufsichtigten Kindern ausgeführt werden.
- Der Waschvollautomat darf nur von Erwachsenen und gemäß den Anleitungen dieses Handbuchs bedient werden.
- Berühren Sie das Gerät nicht, wenn Sie barfuß sind, und auch nicht mit nassen oder feuchten Händen oder Füßen.
- Ziehen Sie den Gerätestecker nicht am Kabel aus der Steckdose, sondern nur am Netzstecker selbst.
- Öffnen Sie die Waschmittelschublade nicht, wenn das Gerät in Betrieb ist.
- Berühren Sie nicht das Ablaufwasser, es könnte sehr heiß sein.
- Öffnen Sie die Gerätetür nicht mit Gewalt: Der Sicherheits-Schließmechanismus könnte hierdurch beschädigt werden.
- Bei etwaigen Störungen versuchen Sie bitte nicht, Innenteile selbst zu reparieren.
- Halten Sie Kinder stets von dem in Betrieb befindlichen Gerät fern.
- Während des Waschganges kann die Gerätetür sehr heiß werden.
- Muss das Gerät versetzt werden, sollten hierfür zwei oder drei Personen verfügbar sein. Versetzen Sie es niemals allein, das Gerät ist äußerst schwer.
- Bevor Sie die Wäsche einfüllen, stellen Sie bitte sicher, dass die Wäschetrommel leer ist.

Entsorgung

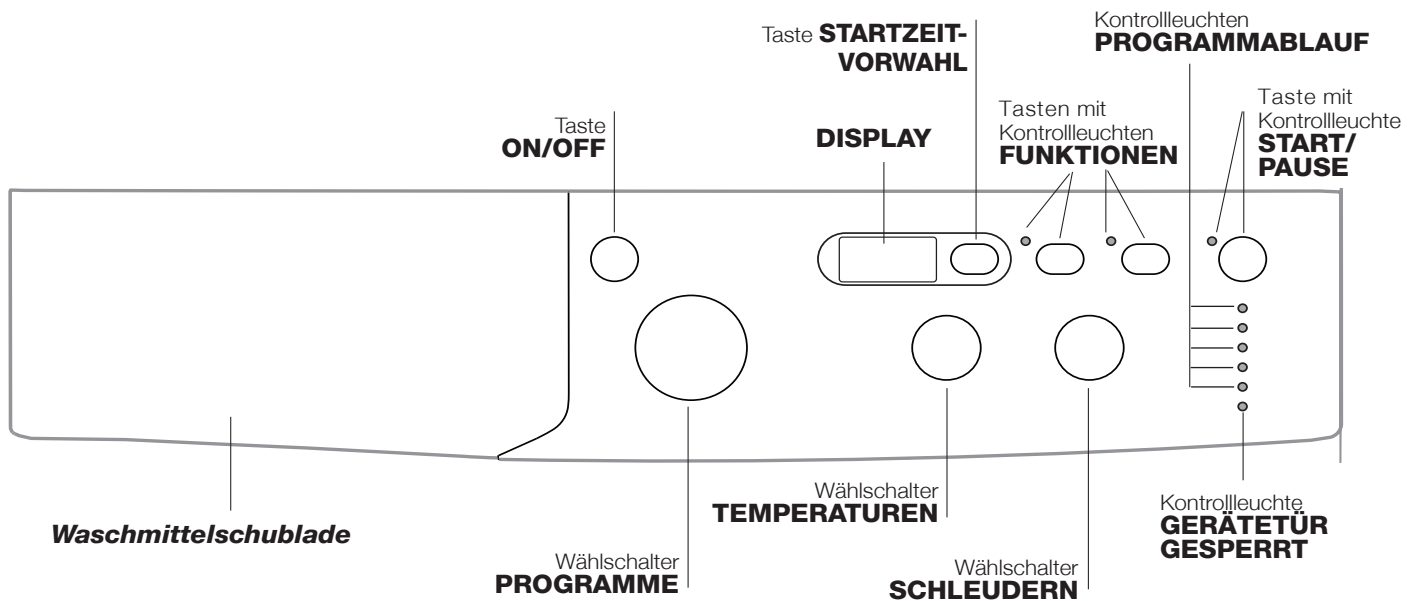
- Entsorgung des Verpackungsmaterials: Befolgen Sie die lokalen Vorschriften, Verpackungsmaterial kann wiederverwertet werden.
- Gemäß der Europäischen Richtlinie 2012/19/EU - WEEE über Elektro- und Elektronik-Altgeräte dürfen Elektrohaushalts-Altgeräte nicht über den herkömmlichen Haushaltsmüllkreislauf entsorgt werden. Altgeräte müssen separat gesammelt werden, um die Wiederverwertung und das

Recycling der beinhalteten Materialien zu optimieren und die Einflüsse auf die Umwelt und die Gesundheit zu reduzieren. Das Symbol „durchgestrichene Mülltonne“ auf jedem Produkt erinnert Sie an Ihre Verpflichtung, dass Elektrohaushaltsgeräte gesondert entsorgt werden müssen. Endverbraucher können sich an Abfallämter der Gemeinden wenden, um mehr Informationen über die korrekte Entsorgung ihrer Elektrohaushaltsgeräte zu erhalten.

Beschreibung des Waschvollautomaten und Starten eines Waschprogramms

DE

Bedienblende



Waschmittelschublade: für Waschmittel und Zusätze (siehe „Waschmittel und Wäsche“).

Taste **ON/OFF:** Zum Ein- und Ausschalten Ihres Waschvollautomaten.

Wählschalter **PROGRAMME:** Zur Wahl der Waschprogramme. Während des Programmablaufs bleibt der Schalter feststehend.

Tasten mit Kontrollleuchten **FUNKTIONEN:** Zur Einstellung der verfügbaren Funktionen. Die der gewählten Einstellung entsprechende Kontrollleuchte bleibt eingeschaltet.

Wählschalter **SCHLEUDERN:** oder um das Schleudern auszuschliessen (siehe „Personalisierungen“).

Wählschalter **TEMPERATUREN:** Zur Einstellung der Wassertemperatur oder einer Kaltwäsche (siehe „Personalisierungen“).

DISPLAY: zur Anzeige der Dauer der verschiedenen verfügbaren Programme sowie der Restzeit nach Zyklusstart; wurde eine STARTZEITVORWAHL eingestellt, dann wird die bis zum Start des ausgewählten Programms verbleibende Zeit angezeigt.

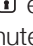
Taste **STARTZEITVORWAHL** : Zur Vorwahl der Startzeit des gewählten Programms drücken Sie bitte diese Taste; Der Wert wird auf dem Display angezeigt.

Kontrollleuchten **PROGRAMMABLAUF:** Zur Kontrolle des Waschprogrammablaufs.

Die eingeschaltete Kontrollleuchte zeigt die laufende Programmphase an.

Kontrollleuchte **GERÄTETÜR GESPERRT:** Diese Taste zeigt an, ob die Gerätetür geöffnet werden kann oder nicht (siehe Nebenseite).

Taste mit Kontrollleuchte **START/PAUSE:** Mittels dieser Taste werden die Waschprogramme gestartet oder kurz unterbrochen.

NB: Durch Drücken dieser Taste, kann das Waschprogramm zeitweilig unterbrochen werden (Pause). Die entsprechende Kontrollleuchte schaltet auf orangefarbenes Blinklicht, die Kontrollleuchte der bestehenden Programmphase dagegen schaltet auf Dauerlicht. Sobald die Kontrollleuchte GERÄTETÜR GESPERRT  erlischt, kann die Gerätetür geöffnet werden (etwa 3 Minuten).

Um das Programm an der Stelle, an der es unterbrochen wurde, wieder in Gang zu setzen, drücken Sie diese Taste erneut.

Funktion Standby


Zur Erfüllung der neuen Richtlinien zum Energieverbrauch ist diese Waschmaschine mit einem automatischen Ausschaltsystem (Standby) ausgestattet, das nach 30 Minuten des Nichtgebrauchs in Funktion tritt. Drücken Sie kurz die Taste EIN-AUS und warten Sie, bis sich die Maschine wieder einschaltet.

Kontrollleuchten

Die Kontrollleuchten liefern wichtige Hinweise. Sie signalisieren:

Laufende Programmphase

Wurde das Waschprogramm gewählt und gestartet, leuchten die Kontrollleuchten nach und nach auf, und zeigen so den jeweiligen Programmstand an.

Hauptwäsche	○ 
Spülen	○ 
Schleudern	○ 
Abpumpen	○ 
Ende des Waschgangs	○ END


Funktionstasten und entsprechende Kontrollleuchten

Nach der Wahl einer Funktion leuchtet die entsprechende Taste auf. Ist die gewählte Funktion nicht vereinbar mit dem eingestellten Programm, schaltet die entsprechende Kontrollleuchte auf Blinklicht und die Funktion wird nicht aktiviert. Ist die gewählte Funktion mit einer anderen bereits eingestellten nicht kompatibel, schaltet die der ersten Funktion entsprechende Kontrollleuchte auf Blinklicht und nur die zweite Funktion wird aktiviert, die Kontrollleuchte der aktivierten Funktion schaltet auf Dauerlicht.

Kontrollleuchte Gerätetür gesperrt:

Ist diese Kontrollleuchte eingeschaltet, bedeutet dies, dass das Bullauge gesperrt ist; warten Sie, bis die Leuchte erlischt, um das Bullauge zu öffnen (etwa 3 Minuten). Um während eines laufenden Programms das Bullauge zu öffnen, drücken Sie die Taste START/PAUSE; ist die der GERÄTETÜR GESPERRT entsprechende Kontrollleuchte ausgeschaltet, kann das Bullauge geöffnet werden.

Starten eines Waschprogramms

1. Schalten Sie den Waschvollautomaten durch Drücken der ON/OFF-Taste ein. Sämtliche Kontrollleuchten leuchten für einige Sekunden auf, und erlöschen wieder. Die Kontrollleuchte START/PAUSE schaltet auf Blinklicht.
2. Füllen Sie die Wäsche ein, und schließen Sie die Gerätetür.
3. Stellen Sie mittels des Wählschalters PROGRAMME das gewünschte Programm ein.
4. Stellen Sie die Waschtemperatur ein (siehe „Personalisierungen“).
5. Stellen Sie die Schleuderstufe ein (siehe „Personalisierungen“).
6. Füllen Sie Waschmittel und Zusätze ein (siehe „Waschmittel und Wäsche“).
7. Wählen Sie die gewünschten Funktionen.
8. Setzen Sie das Programm in Gang. Drücken Sie hierzu die Taste START/PAUSE. Die entsprechende Kontrollleuchte bleibt eingeschaltet (grünes Dauerlicht). Um die Waschprogramm-Einstellung rückgängig zu machen, muss das Gerät auf Pause geschaltet werden. Drücken Sie hierzu die Taste START/PAUSE. Wählen Sie daraufhin das neue Programm.
9. Nach Ablauf des Waschprogramms leuchtet die Kontrollleuchte **END** auf. Sobald die Kontrollleuchte GERÄTETÜR GESPERRT  erlischt, kann das Bullauge geöffnet werden (etwa 3 Minuten). Nehmen Sie die Wäsche aus der Maschine und lassen Sie die Gerätetür leicht offen stehen, damit die Trommel trocknen kann. Schalten Sie den Waschvollautomaten durch Drücken der ON/OFF-Taste aus.

Waschprogramme

DE

Programmtabelle

Waschprogramme	Beschreibung des Programms	Max. Temp. (C°)	Max. Schleudergeschwindigkeit (U/min)	Waschmittel			Max. Beladungsmenge (kg)	Restfeuchtigkeit %	Energieverbrauch kWh	Wasser gesamt lt	Programmdauer
				Vorwäsche	Hauptwäsche	Weichspüler					
EVERYDAY FAST											
1	Mix Bunt 59'	40°	1000	-	●	●	6	-	-	-	59'
2	Baumwolle 59'	60°	1000	-	●	●	6	-	-	-	59'
3	Kunstfaser 59'	30°	1000	-	●	●	3	-	-	-	59'
4	Täglich 45'	40°	1000	-	●	●	3	-	-	-	45'
5	Mix 30'	30°	800	-	●	●	3	70	0,17	31	30'
Special&Partial											
6	Sportkleidung und Handtücher	40°	600	-	●	●	3	-	-	-	**
7	Weiße: stark verschmutzte Weiß- und farbechte Buntwäsche.	60° (Max.90°)	1000	●+90°	●	●	6	-	-	-	**
8	Baby	40°	800	-	●	●	2	-	-	-	**
9	Spülen	-	1000	-	-	●	6	-	-	-	**
10	Schleudern + Abpumpen	-	1000	-	-	-	6	-	-	-	**
10	Nur abpumpen *	-	⊘	-	-	-	6	-	-	-	**
Dedicated											
11	Bettdecken: wäsche- bzw. Kleidungsstücke mit Daunenfüllung.	30°	1000	-	●	●	1,5	-	-	-	**
12	Wolle: wolle, Kaschmir usw.	40°	800	-	●	●	1	-	-	-	**
13	Seide/Gardinen: Kleidungsstücke aus Seide, Viskose und Feinwäsche.	30°	0	-	●	●	1	-	-	-	**
14	Eco Baumwolle 60° (1): stark verschmutzte Weiß- und farbechte Buntwäsche.	60°	1000	-	●	●	6	62	0,90	50,0	240'
14	Eco Baumwolle 40° (2): leicht verschmutzte Weiß- und empfindliche Buntwäsche.	40°	1000	-	●	●	6	62	0,97	63	230'
15	Baumwolle (3): leicht verschmutzte Weiß- und empfindliche Buntwäsche.	40° (Max.60°)	1000	-	●	●	6	62	0,97	63	230'
16	Kunstfaser (4): stark verschmutzte, farbechte Buntwäsche.	40° (Max.60°)	1000	-	●	●	3	44	0,68	45	115'

* Bei Auswahl des Programms 10 und Ausschluss der Schleuder, führt die Maschine nur den abpumpen aus.

** Die Programmdauer kann auf dem Display abgelesen werden.

Die auf dem Display und in der Bedienungsanleitung genannte Zyklusdauer wird ausgehend von Standardbedingungen berechnet. Die effektiv benötigte Zeit kann aufgrund zahlreicher Faktoren wie Temperatur und Druck des Zulaufwassers, Raumtemperatur, Waschmittelmenge, Art, Menge und Verteilung der Waschladung sowie der gewählten Zusatzfunktionen variieren.

1) Prüfprogramm gemäß 1061/2010: Programm 14 und eine Temperatur von 60°C einstellen.

Dieser Zyklus ist für den Waschvorgang von normal schmutziger Baumwollwäsche geeignet; es ist der wirksamste in Bezug auf den kombinierten Energie-Wasser-Verbrauch; für bei 60°C zu waschende Wäsche zu verwenden. Die effektive Waschttemperatur kann von der angegebenen abweichen.

2) Prüfprogramm gemäß 1061/2010: Programm 14 und eine Temperatur von 40°C einstellen.

Dieser Zyklus ist für den Waschvorgang von normal schmutziger Baumwollwäsche geeignet; es ist der wirksamste in Bezug auf den kombinierten Energie-Wasser-Verbrauch; für bei 40°C zu waschende Wäsche zu verwenden. Die effektive Waschttemperatur kann von der angegebenen abweichen.

Für alle Testinstitute:

3) Langes Baumwollprogramm: Programm 15 und eine Temperatur von 40°C einstellen.

4) Langes Synthetikprogramm: Programm 16 und eine Temperatur von 40°C einstellen.

Schnelle Tageszyklen

Ein komplettes Set schneller Programme für die Wäsche der täglichen Verschmutzung in weniger als 1 Stunde der meist gebrauchten Fasern auch bei voller Waschlösung.

Mix Bunt 59': zum Waschen von Mischwäsche und Buntwäsche zusammen.

Baumwolle 59': spezieller Zyklus für überwiegend weiße Baumwolle. Kann auch mit Waschmittel in Pulverform verwendet werden.

Kunstfaser 59': spezifisch für die Wäsche von Kunstfasern. Bei hartnäckiger Verschmutzung kann die Temperatur bis 60° erhöht werden und man kann ein Waschmittel in Pulverform verwenden.

Täglich 45': kurzer Zyklus für Baumwoll-Feinwäsche.

Mix 30': kurzer Zyklus für gemischte Wäsche aus Baumwolle und Kunstfaser, weiß und bunt zusammen.

Temperatureinstellung

Drehen Sie den Wählschalter TEMPERATUREN, um die Waschtemperatur einzustellen (siehe *Programmtabelle*).

Die Temperatur kann bis auf Kaltwäsche  herabgesetzt werden.

Der Waschvollautomat verhindert automatisch die Einstellung einer höheren Schleuderstufe, sollte diese die für das jeweilige Programm vorgeschriebene Höchstgeschwindigkeit übersteigen.

! Ausnahme: Wird das Waschprogramm **7** eingestellt, kann die Temperatur bis auf 90° erhöht werden.

! Ausnahme: Wird das Waschprogramm **15** eingestellt, kann die Temperatur bis auf 60° erhöht werden.

! Ausnahme: Wird das Waschprogramm **16** eingestellt, kann die Temperatur bis auf 60° erhöht werden.

Schleudereinstellung

Durch Drehen des Wählschalters SCHLEUDER wird die Schleudergeschwindigkeit des gewählten Waschprogramms eingestellt. Folgende Höchstgeschwindigkeiten sind für die einzelnen Programme vorgesehen:

Waschprogramme	Höchstgeschwindigkeit
Baumwolle	1000 U/min
Synthetik	1000 U/min
Wolle	800 U/min
Seide	nur Wasserablauf

Die Schleudergeschwindigkeit kann herabgesetzt werden. Durch Wahl des Symbols  kann die Schleuder gänzlich ausgeschlossen werden.

Der Waschvollautomat verhindert automatisch ein stärkeres Schleudern, sollte dieses die für das jeweilige Programm vorgeschriebene Höchstgeschwindigkeit übersteigen.

Funktionen

Die verschiedenen Waschfunktionen, die Ihnen Ihr Waschvollautomat bietet, ermöglichen es Ihnen, hygienisch saubere und weiße Wäsche zu erhalten, die Ihren Wünschen entspricht.


Aktivierung der Funktionen:

1. Drücken Sie die Taste, die der gewünschten Funktion entspricht.
2. Das Aufleuchten der entsprechenden Kontrollleuchte zeigt an, dass die Funktion aktiviert wurde.

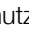
Anmerkung:

- Ist die gewählte Funktion nicht vereinbar mit dem eingestellten Programm, schaltet die entsprechende Kontrollleuchte auf Blinklicht und die Funktion wird nicht aktiviert.
- Ist die gewählte Funktion mit einer anderen bereits eingestellten nicht kompatibel, schaltet die der ersten Funktion entsprechende Kontrollleuchte auf Blinklicht und nur die zweite Funktion wird aktiviert, die Kontrollleuchte der aktivierten Funktion schaltet auf Dauerlicht.


Startzeitvorwahl

Zur Vorwahl der Startzeit des eingestellten Programms drücken Sie die entsprechende Taste, bis die gewünschte Zeitverzögerung angezeigt wird. Wenn diese Option aktiv ist, dann schaltet sich auf dem Display das Symbol  ein. Um eine programmierte Startzeit zu löschen, drücken Sie die Taste, bis auf dem Display die Anzeige "OFF" erscheint.

Extra Wash

Für stark verschmutzte Wäsche kann die Option Extra Wash  aktiviert werden, wenn kompatibel. Mit dieser Option passt der Zyklus automatisch alle Waschparameter an, indem er zu einem längeren Zyklus wechselt. Die Option verändert die Temperatur nicht, aber der Schleudergang wird automatisch auf die maximale Geschwindigkeit eingestellt. Der Anwender kann jedoch die Geschwindigkeit der Schleuder nach eigenen Wünschen einstellen.

Energy Saver

Mit der Option  Energy Saver können Sie Baumwolle und Kunstfasern zusammen waschen. Damit sparen Sie Energie und helfen somit der Umwelt. Der Waschgang wird mit kaltem Wasser aber einer stärkeren mechanischen Aktion und einer optimierten Wassermenge ausgeführt. Damit werden die üblichen Waschergebnisse bei deutlich geringerem Stromverbrauch erzielt. Der Zyklus ist für wenig verschmutzte Wäsche bestimmt. Es empfiehlt sich der Einsatz von Flüssigwaschmittel.

Waschmittel und Wäsche

DE

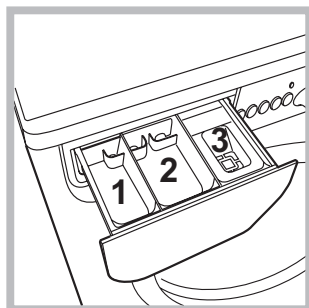
Waschmittel und Wäsche

Ein gutes Waschergebnis hängt auch von einer korrekten Waschmitteldosierung ab: Eine zu hohe Dosierung bedeutet nicht unbedingt reinere Wäsche, sie trägt nur dazu bei, die Maschineninnenteile zu verkrusten und die Umwelt zu belasten.

! Verwenden Sie keine Handwaschmittel, sie verursachen eine zu hohe Schaumbildung.

! Waschmittel in Pulverform für Baumwollweißwäsche, für die Vorwäsche und für Waschprogramme bei Temperaturen über 60°C verwenden.

! Bitte befolgen Sie den auf der Waschmittelverpackung angegebenen Anweisungen.



Schublade herausziehen und Waschmittel oder Zusätze wie folgt einfüllen:

In Kammer 1: Waschpulver für die Vorwäsche (Waschpulver)

In Kammer 2: Waschmittel für die Hauptwäsche (Waschpulver oder Flüssigwaschmittel)

Flüssigwaschmittel nur kurz vor dem Start einfüllen.

In Kammer 3: Zusätze (Weichspüler usw.)

Der Weichspüler darf das Gitter nicht übersteigen.

Hinweis: Bei der Verwendung von "Tabs" halten Sie sich immer an die Hinweise des Herstellers.

Vorsortieren der Wäsche

- Sortieren Sie die Wäsche nach:
 - Gewebeat / Waschetikettensymbol.
 - und Farben: Buntwäsche von Weißwäsche trennen.
- Entleeren Sie alle Taschen.
- Das in der „Programmtabelle“ angegebene Gewicht, beschreibt die maximale Ladung Trockenwäsche und darf nicht überschritten werden.

Wie schwer ist Wäsche?

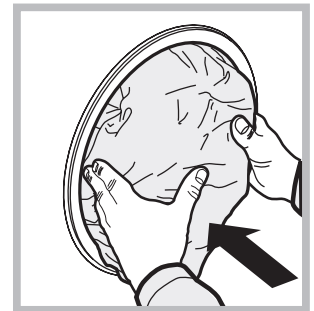
- 1 Betttuch 400-500 gr
- 1 Kissenbezug 150-200 gr
- 1 Tischdecke 400-500 gr
- 1 Bademantel 900-1.200 gr
- 1 Handtuch 150-250 gr

Besondere Wäscheteile

Sportwäsche: dieser Zyklus ist speziell für die schonende Reinigung von Sportkleidung zusammen mit dem Handtuch (beachten Sie die Angaben auf dem Etikett der Wäschestücke).

Baby: spezieller Zyklus für die typische Verschmutzung von Kinderkleidung. Der Zyklus entfernt zuverlässig auch eventuelle Waschmittelreste.

Daunen: zum Waschen von Wäschestücken mit Daunenfüllung wie Federbetten für Einzelbetten (die ein Gewicht von 1,5 kg nicht überschreiten), Kissen, Anoraks wählen Sie das Spezialprogramm 11. Wie empfohlen, die Federbetten mit nach innen gefalteten Ecken (*siehe Abbildung*) in die Wäschetrommel zu füllen und $\frac{3}{4}$ des Fassungsvermögens der Trommel nicht zu überschreiten. Für optimale Waschergebnisse empfiehlt es sich, Flüssigwaschmittel zu verwenden und dieses in die Waschmittelskammer einzufüllen.



Wolle: Mit dem Programm 12 können alle Woll Sachen gewaschen werden, auch wenn das Etikett "nur Handwäsche" zeigt. Für beste Ergebnisse verwenden Sie ein spezifisches Waschmittel und waschen Sie maximal 1 kg Wäsche.

Seide: Wählen Sie das Spezialprogramm 13 zum Waschen aller Kleidungs- bzw. Wäschestücke aus Seide. Es empfiehlt sich der Einsatz von Feinwaschmittel.

Vorhänge: Gardinen zusammengefasst in einem Kissenbezug oder in einem netzartigen Beutel waschen. Stellen Sie das Programm 13 ein.

Unwuchtkontrollsystem

Um starke Vibrationen oder eine Unwucht beim Schleudern zu vermeiden, verfügt das Gerät über ein Schleudrunwuchtsystem. Die Waschladung wird durch eine erhöhte Rotation der Trommel als die des Waschgangs ausbalanciert. Sollte die Wäscheladung nach Ablauf mehrerer Versuche immer noch nicht korrekt verteilt sein, schleudert das Gerät die Wäsche bei einer niedrigeren Geschwindigkeit als die der vorgesehenen Schleudergeschwindigkeit. Sollte die Wäsche extrem ungleichmäßig verteilt sein, führt das Gerät anstelle des Schleudergangs einen Wäscheverteilungs-Zyklus durch. Um eine optimale Verteilung der Wäscheladung und somit eine korrekte Auswuchtung zu fördern, sollten große und kleine Wäscheteile gemischt eingefüllt werden.

Bei Funktionsstörung: Bevor Sie sich an den Technischen Kundendienst wenden (siehe „Kundendienst“), vergewissern Sie sich zuerst, ob es sich nicht um eine Kleinigkeit handelt, die Sie selbst beheben können. Ziehen Sie hierzu nachstehendes Verzeichnis zu Rate.

Störungen:

Der Waschvollautomat schaltet sich nicht ein.

Mögliche Ursachen / Lösungen:

- Der Stecker steckt nicht in der Steckdose, oder nicht so, dass der Kontakt hergestellt wird.
- Der Strom ist ausgefallen.

Der Waschgang startet nicht.

- Die Gerätetür wurde nicht vorschriftsmäßig geschlossen.
- Die ON/OFF-Taste wurde nicht gedrückt.
- Die Taste START/PAUSE wurde nicht gedrückt.
- Der Wasserhahn ist nicht aufgedreht.
- Es wurde ein verzögerter Start gewählt (siehe „Personalisierungen“).

Der Waschvollautomat lädt kein Wasser. Die Kontrollleuchte der ersten Waschphase blinkt (rasches Blinklicht).

- Der Zufuhrschlauch ist nicht am Wasserhahn angeschlossen.
- Der Schlauch ist geknickt.
- Der Wasserhahn ist nicht aufgedreht.
- Es ist kein Wasser da.
- Der Druck ist unzureichend.
- Die Taste START/PAUSE wurde nicht gedrückt.

Der Waschvollautomat lädt laufend Wasser und pumpt es laufend ab.

- Der Ablaufschlauch befindet sich nicht auf der vorgeschriebenen Höhe, d.h. 65 – 100 cm vom Boden (siehe „Installation“).
- Das Schlauchende liegt unter Wasser (siehe „Installation“).
- Der Abfluss der Hausinstallation wurde nicht mit einer Entlüftungsöffnung versehen. Konnte die Störung durch diese Kontrollen nicht behoben werden, dann drehen Sie den Wasserhahn zu, schalten das Gerät aus und fordern den Kundendienst an. Falls Sie in einer der obersten Etagen eines Gebäudes wohnen, kann es vorkommen, dass sich im Syphon ein Vakuum bildet, und der Waschvollautomat ständig Wasser ansaugt und wieder abpumpt. Zur Lösung dieser Probleme bietet der Handel spezielle Syphonventile.

Der Waschvollautomat pumpt nicht ab und schleudert nicht.

- Das Programm siehe kein Abpumpen vor: Bei einigen Programmen muss es von Hand eingestellt werden (siehe „Starten eines Waschprogramms“).
- Der Ablaufschlauch ist geknickt (siehe „Installation“).
- Die Ablaufleitung ist verstopft.

Der Waschvollautomat vibriert zu stark während des Schleuderns.

- Die Trommel wurde bei der Installation nicht korrekt befreit (siehe „Installation“).
- Der Waschvollautomat steht nicht eben (siehe „Installation“).
- Der Waschvollautomat steht zu eng zwischen der Wand und einem Möbel (siehe „Installation“).

Der Waschvollautomat ist undicht.

- Der Zulaufschlauch wurde nicht ordnungsgemäß aufgeschraubt (siehe „Installation“).
- Die Waschmittelschublade ist verstopft (zur Reinigung siehe „Wartung und Pflege“).
- Der Ablaufschlauch ist nicht korrekt befestigt (siehe „Installation“).

Die Kontrollleuchten „Funktionen“ und „Start/Pause“ blinken und eine der Kontrollleuchten der „laufenden Programmphase“ sowie die für „Gerätetür gesperrt“ bleiben eingeschaltet.

- Schalten Sie das Gerät aus und ziehen Sie den Netzstecker; warten Sie daraufhin ca. 1 Minute und schalten Sie es wieder ein.
Bleibt die Störung bestehen, kontaktieren Sie bitte den Kundendienst.

Es bildet sich zu viel Schaum.

- Das Waschmittel ist für Waschmaschinen nicht geeignet (es muss mit der Aufschrift „Für Waschmaschinen“, „Für Handwäsche und Waschmaschinen“ usw. versehen sein).
- Es wurde zu hoch dosiert.

Kundendienst

DE

Bevor Sie sich an den Kundendienst wenden:

- Sollten einige Kontrollen vorab selbst durchgeführt werden (siehe „Störungen und Abhilfe“);
- Starten Sie daraufhin das Programm erneut, um sicherzustellen, dass die Störung auch wirklich behoben wurde;
- Ist dies nicht der Fall, dann kontaktieren Sie den autorisierten Kundendienst unter der auf dem Garantieschein befindlichen Telefonnummer.

! Wenden Sie sich auf keinen Fall an nicht autorisierte Techniker.

Geben Sie bitte Folgendes an:

- die Art der Störung;
- das Maschinenmodell (Mod.);
- die Seriennummer (S/N).

Diese Daten entnehmen Sie bitte dem auf der Rückseite des Waschvollautomaten und auf der Vorderseite (Gerätetür öffnen) befindlichen Typenschild.

DELEGIERTE VERORDNUNG (EU) Nr. 1061/2010 DER KOMMISSION	
Marke	INDESIT
Modell	EWD 61052 W EU/1
Nennkapazität Baumwolle in kg	6
Energieeffizienzklasse (A+++ niedriger Verbrauch) bis D (hoher Verbrauch)	A++
Energieverbrauch pro Jahr in kWh ¹⁾	173
Energieverbrauch Standardprogramm 60° C Baumwolle bei ganzer Beladung ²⁾	0.907
Energieverbrauch Standardprogramm 60° C Baumwolle bei teilweiser Beladung ²⁾	0.668
Energieverbrauch Standardprogramm 40° C Baumwolle bei teilweiser Beladung ²⁾	0.584
Leistungsaufnahme im Aus-Zustand in W	0.5
Leistungsaufnahme im unausgeschalteten Zustand in W	8
Wasserverbrauch pro Jahr in Liter ³⁾	8400
Schleudereffizienzklasse (A höchste Effizienz) bis G (geringe Effizienz)	C
Maximale Schleuderdrehzahl U/min ⁴⁾	1000
Restfeuchte in % ⁵⁾	62.0%
Programmdauer 60° Baumwolle bei ganzer Beladung in Minuten	240
Programmdauer 60° Baumwolle bei teilweiser Beladung in Minuten	190
Programmdauer 40° Baumwolle bei teilweiser Beladung in Minuten	185
Dauer des unausgeschalteten Zustandes in Minuten nach Programmende	30
Luftschallemissionen Waschen dB(A) re 1pW ⁶⁾	60
Luftschallemissionen Schleudern dB(A) re 1pW ⁶⁾	80
Einbaugerät	

¹⁾ Die Angaben beziehen sich auf die Standardprogramme 60° C Baumwolle, volle und teilweise Beladung sowie 40° C Baumwolle teilweise Beladung. Diese Programme eignen sich für normal verschmutzte Wäsche und sind die effizientesten Programme in Bezug auf den kombinierten Energie- und Wasserverbrauch. Unter teilweiser Beladung versteht man halbe Beladung.

²⁾ Angabe auf Grundlage von 220 Standard-Waschzyklen für 60 °C- und 40 °C- Baumwollprogramme bei vollständiger Befüllung und Teilbefüllung sowie dem Verbrauch der Betriebsarten mit geringer Leistungsaufnahme. Der tatsächliche Energieverbrauch hängt von der Art der Nutzung des Geräts ab

³⁾ Angabe auf Grundlage von 220 Standard-Waschzyklen für 60 °C- und 40 °C- Baumwollprogramme bei vollständiger Befüllung und Teilbefüllung. Der tatsächliche Wasserverbrauch hängt von der Art der Nutzung des Geräts ab.

⁴⁾ Für Programme Standard 60° Baumwolle bei ganzer und teilweiser Beladung oder für 40° Baumwolle bei teilweiser Beladung . Angabe des jeweils niedrigeren Wertes.

⁵⁾ Für Programme Standard 60° Baumwolle bei ganzer und teilweiser Beladung oder für 40° Baumwolle bei teilweiser Beladung . Angabe des jeweils höheren Wertes.

⁶⁾ Gemessen am Programme Standard 60° Baumwolle Vollast.

CZ

Česky

EWD 61052

Obsah

Instalace, 26-27

Rozbalení a vyrovnaní do vodorovné polohy
Připojení k elektrické a k vodovodní síti
První prací cyklus
Technické údaje

Údržba a péče, 28

Uzavření přívodu vody a vypnutí elektrického napájení
Čištění pračky
Čištění dávkovače pracích prostředků
Péče o dvířka a buben
Čištění čerpadla
Kontrola přítokové hadice na vodu

Opatření a rady, 29

Základní bezpečnostní pokyny
Likvidace

Popis pračky a zahájení pracího programu, 30-31

Ovládací panel
Kontrolky
Zahájení pracího programu

Prací programy, 32

Tabulka pracích programů
Každodenní rychlé cykly

Uživatelská nastavení, 33

Nastavení teploty
Nastavení rychlosti odstředování
Funkce

Prací prostředky a prádlo, 34

Dávkovač pracích prostředků
Příprava prádla
Oděvy vyžadující zvláštní péči
Systém automatického vyvážení náplně

Poruchy a způsob jejich odstranění, 35

Servisní služba, 36

Instalace

CZ

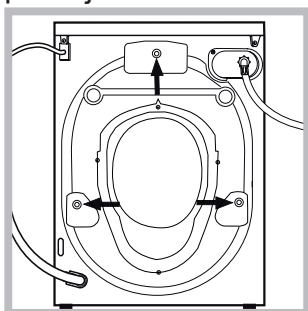
! Je důležité uschovat tento návod tak, abyste jej mohli kdykoli konzultovat. V případě prodeje, darování nebo přestěhování pračky se ujistěte, že zůstane uložen v blízkosti pračky, aby mohl posloužit novému majiteli při seznámení s její činností a s příslušnými upozorněními.

! Pozorně si přečtěte uvedené pokyny: obsahují důležité informace týkající se instalace, použití a bezpečnosti při práci.

Rozbalení a vyrovnaní do vodorovné polohy

Rozbalení

1. Rozbalte pračku.
2. Zkontrolujte, zda během přepravy nedošlo k jejímu poškození. V případě, že je poškozena, ji nezapojujte a obraťte se na prodejce.



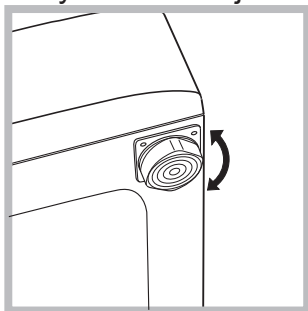
3. Odstraňte 3 šrouby chránící před poškozením během přepravy a gumovou podložku s příslušnou rozpěrkou, které se nacházejí v zadní části (viz obrázek).

4. Uzavřete otvory po šroubech plastovými krytkami z příslušenství.
5. Uschovejte všechny díly: v případě opětovné přepravy pračky je bude třeba namontovat zpět.

! Obaly nejsou hračky pro děti!

Vyrovnaní do vodorovné polohy

1. Pračku je třeba umístit na rovnou a pevnou podlahu, aniž by se opírala o stěnu, nábytek či něco jiného.

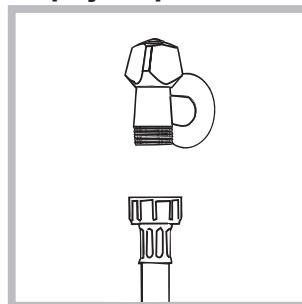


2. V případě, že podlaha není dokonale vodorovná, mohou být případné rozdíly vykompenzovány šroubováním předních nožek (viz obrázek); Úhel sklonu, naměřený na pracovní ploše, nesmí přesáhnout 2°.

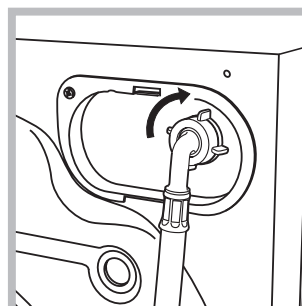
Dokonalé vyrovnaní do vodorovné polohy zabezpečí stabilitu zařízení a zamezí vzniku vibrací a hluku během činnosti. V případě instalace na podlahovou krytinu nebo na koberec nastavte nožky tak, aby pod pračkou zůstal dostatečný volný prostor pro ventilaci.

Připojení k elektrické a k vodovodní síti

Připojení přítokové hadice vody



1. Připojte přívodní hadici jejím zašroubováním ke kohoutku studené vody s hrdlem se závitem 3/4" (viz obrázek). Před připojením hadice nechte vodu odtékat, dokud nebude čirá.



2. Připojte přítokovou hadici k pračce prostřednictvím příslušné přípojky na vodu, umístěné vpravo nahoře (viz obrázek).

3. Dbejte na to, aby hadice nebyla příliš ohnutá ani stlačená.

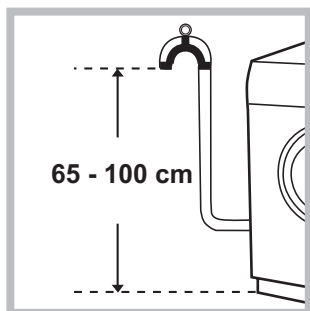
! Tlak v rozvodu vody se musí pohybovat v rozmezí hodnot uvedených v tabulce s technickými údaji (viz vedlejší strana).

! V případě, že délka přítokové hadice nebude dostatečná, obraťte se na specializovanou prodejnu nebo na autorizovaný technický personál.

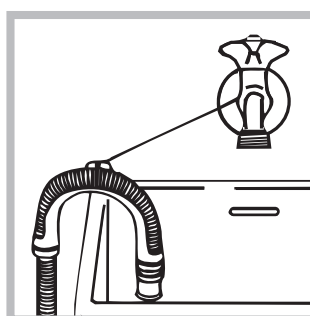
! Nikdy nepoužívejte již použité hadice.

! Používejte hadice z příslušenství zařízení.

Připojení vypouštěcí hadice



Připojte vypouštěcí hadici, aniž byste ji ohýbali, k odpadovému potrubí nebo k odpadu ve stěně, který se nachází od 65 do 100 cm nad zemí;



nebo ji uchyťte k okraji umývadla či vany a připevněte vodící držák z příslušenství ke kohoutu (viz obrázek). Volný konec vypouštěcí hadice nesmí zůstat ponořený do vody.

! Použití prodlužovacích hadic se nedoporučuje; je-li však nezbytné, prodlužovací hadice musí mít stejný průměr jako originální hadice a její délka nesmí přesáhnout 150 cm.

Připojení k elektrické síti

Před zasunutím zástrčky do zásuvky se ujistěte, že:

- Je zásuvka uzemněna a že vyhovuje normám;
- je zásuvka schopna snést maximální zátěž odpovídající jmenovitému příkonu zařízení, uvedenému v tabulce s technickými údaji (viz vedle);
- hodnota napájecího napětí odpovídá údajům uvedeným v tabulce s technickými údaji (viz vedle);
- je zásuvka kompatibilní se zástrčkou pračky. V opačném případě je třeba vyměnit zásuvku nebo zástrčku.

! Pračka nesmí být umístěna venku – pod širým nebem, a to ani v případě, že by se jednalo o místo chráněné před nepřízní počasí, protože je velmi nebezpečné vystavit ji působení deště a bouří.

! Po definitivní instalaci pračky musí zásuvka zůstat snadno přístupná.

! Nepoužívejte prodlužovací kabely a rozvodky.

! Kabel nesmí být ohnutý ani stlačený.

! Výměna kabelu musí být svěřena výhradně autorizovanému technickému personálu.

Upozornění! Výrobce neponese žádnou odpovědnost za následky nerespektování uvedených předpisů.

První prací cyklus

Po instalaci zařízení je třeba ještě předtím, než je použijete na praní prádla, provést jeden zkušební cyklus s pracím prostředkem a bez náplně prádla nastavením pracího programu 2.

Technické údaje

Model	EWD 61052
Rozměry	šířka 59,5 cm výška 85 cm hloubka 51,7 cm
Kapacita	od 1 do 6 kg
Napájení	Viz štítek s technickými údaji, aplikovaný na zařízení.
Připojení k rozvodu vody	maximální tlak 1 MPa (10 bar) minimální tlak 0.05 MPa (0.5 bar) kapacita bubnu 40 litrů
Rychlost odstředování	až do 1000 otáček za minutu
Kontrolní programy podle předpisů 1061/2010 a 1015/2010	program 14; Eco bavlnu 60°C. program 14; Eco bavlnu 40°C.
 	Toto zařízení odpovídá následujícím normám Evropské unie: - EMC 2014/30/EU (Elektromagnetická kompatibilita) - LVD 2014/35/EU (Nízké napětí) - 2012/19/EU - WEEE

Údržba a péče

CZ

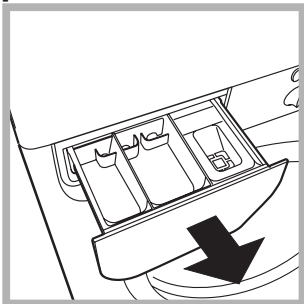
Uzavření přívodu vody a vypnutí elektrického napájení

- Po každém praní uzavřete přívod vody. Tímto způsobem dochází k omezení opotřebení pračky a ke snížení nebezpečí úniku vody.
- Před zahájením čištění pračky a během operací údržby vytáhněte zástrčku napájecího kabelu z elektrické zásuvky.

Čištění pračky

Vnější části a části z gumy se mohou čistit hadrem navlhčeným ve vlažné vodě a saponátu. Nepoužívejte rozpouštědla ani abrazivní látky.

Čištění dávkovače pracích prostředků



Vytáhněte dávkovač jeho nadzvednutím a vytažením směrem ven (viz obrázek). Umyjte jej pod proudem vody; tento druh vyčištění je třeba provádět pravidelně.

Péče o dvířka a buben

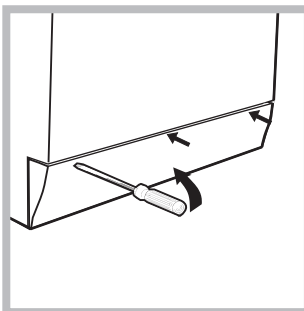
- Dvířka ponechte pokaždé pootevřená, aby se zabránilo tvorbě nepříjemných zápachů.

Čištění čerpadla

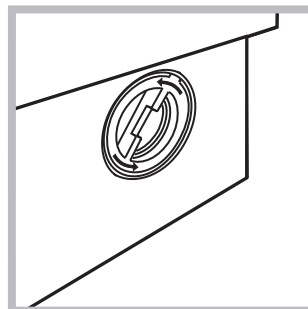
Součástí pračky je samočisticí čerpadlo, které nevyžaduje údržbu. Může se však stát, že se v jeho vstupní části, určené k jeho ochraně a nacházející se v jeho spodní části, zachytí drobné předměty (mince, knoflíky).

! Ujistěte se, že byl prací cyklus ukončen, a vytáhněte zástrčku ze zásuvky.

Přístup ke vstupní části čerpadla:



1. pomocí šroubováku odstraňte krycí panel nacházející se v přední části pračky (viz obrázek);



2. odšroubujte víko jeho otáčením proti směru hodinových ručiček (viz obrázek): vytečení malého množství vody je zcela běžným jevem;

3. dokonale vyčistěte vnitřek;
4. zašroubujte zpět víko;
5. namontujte zpět panel, přičemž se před jeho přisunutím k zařízení ujistěte, že došlo ke správnému zachycení háčků do příslušných podélných otvorů.

Kontrola přítokové hadice na vodu

Stav přítokové hadice je třeba kontrolovat alespoň jednou ročně. Jsou-li na ní viditelné praskliny nebo trhliny, je třeba ji vyměnit: silný tlak působící na hadici během pracího cyklu by mohl způsobit její náhlé roztržení.

! Nikdy nepoužívejte již použité hadice.

! Pračka byla navržena a vyrobena v souladu s platnými mezinárodními bezpečnostními předpisy. Tato upozornění jsou uváděna z bezpečnostních důvodů a je třeba si je pozorně přečíst.

Základní bezpečnostní pokyny

- Toto zařízení bylo navrženo výhradně pro použití v domácnosti.
- Toto zařízení mohou používat děti od 8 let a osoby se sníženými fyzickými, sensorickými nebo duševními schopnostmi nebo osoby s nedostatečnými zkušenostmi a znalostmi, když se nacházejí pod náležitým dohledem nebo když byly náležitě vyškoleny ohledně bezpečného použití zařízení a uvědomují si související nebezpečí. Děti si nesmí hrát se zařízením. Děti nesmí provádět operace údržby a čištění bez dohledu.
- Nedotýkejte se zařízení bosí nebo v případě, že máte mokré ruce či nohy.
- Nevytahujte zástrčku ze zásuvky tahem za kabel, ale uchopením za zástrčku.
- Neotvírejte dávkovač pracích prostředků během činnosti zařízení.
- Nedotýkejte se odčerpávané vody, protože může mít velmi vysokou teplotu.
- Nepokoušejte se o násilné otevření dvířek: mohlo by dojít k poškození bezpečnostního uzávěru, který zabraňuje náhodnému otevření.
- Při výskytu poruchy se v žádném případě nepokoušejte o opravu vnitřních částí zařízení.
- Vždy mějte pod kontrolou děti a zabraňte tomu, aby se přibližovaly k zařízení během pracovního cyklu.
- Během pracovního cyklu mají dvířka tendenci ohřát se.
- V případě potřeby přemístujte pračku ve dvou nebo ve třech a věnujte celé operaci maximální pozornost. Nikdy se nepokoušejte zařízení přemísťovat sami, je totiž velmi těžké.
- Před zahájením vkládání prádla zkontrolujte, zda je buben prázdný.

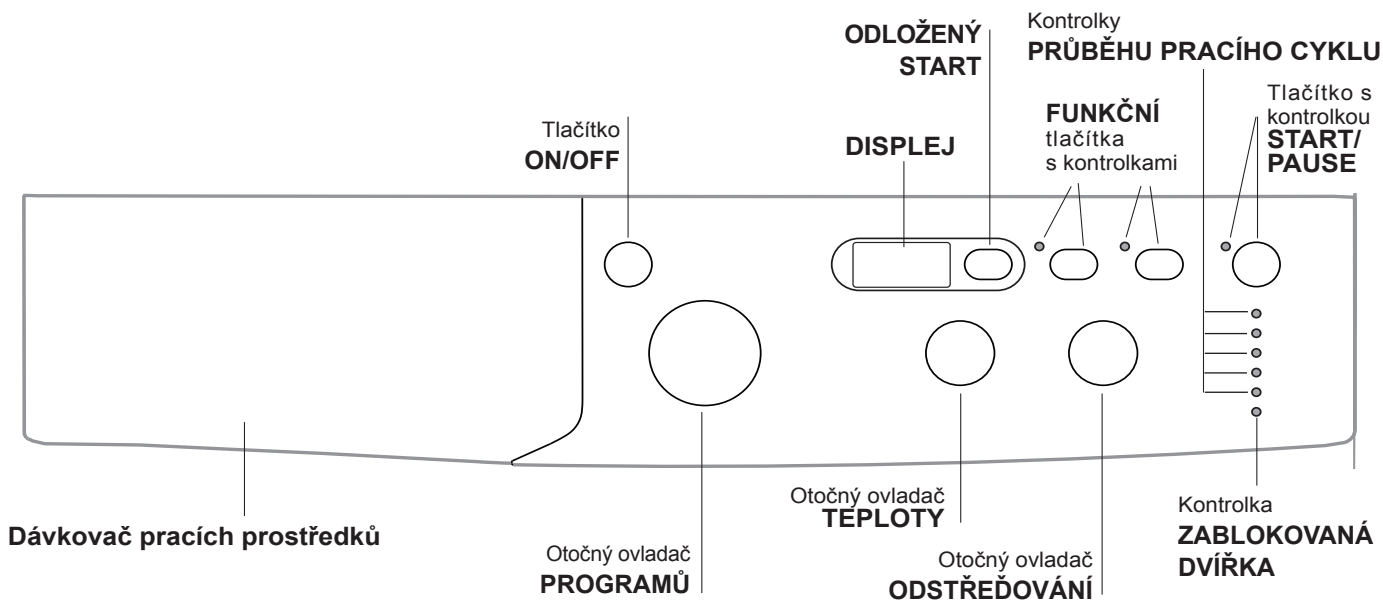
Likvidace

- Likvidace obalových materiálů: při jejich odstranění postupujte v souladu s místními předpisy a dbejte na možnou recyklaci.
- Evropská směrnice 2012/19/EU - WEEE o odpadních elektrických a elektronických zařízeních stanovuje, že staré domácí elektrické spotřebiče nesmí být odkládány do běžného netříděného domovního odpadu. Staré spotřebiče musí být odevzdány do odděleného sběru, a to za účelem recyklace a optimálního využití materiálů, které obsahují, a z důvodu předcházení negativním dopadům na lidské zdraví a životní prostředí.

Symbol “přeškrtnuté popelnice” na výrobku vás upozorňuje na povinnost odevzdat zařízení po skončení jeho životnosti do odděleného sběru. Spotřebitelé by měli kontaktovat příslušné místní úřady nebo svého prodejce ohledně informací týkajících se správné likvidace starého zařízení.

Popis pračky a zahájení pracího programu

Ovládací panel



Dávkovač pracích prostředků: slouží k dávkování pracích prostředků a přídatných prostředků (viz „Prací prostředky a prádlo“).

Tlačítko **ON/OFF**: slouží k zapnutí a vypnutí pračky.


Otočný ovladač **PROGRAMŮ**: pro nastavení pracích programů. Během pracího programu zůstane ve stejné poloze.

FUNKČNÍ tlačítka s kontrolkami: slouží k volbě jednotlivých dostupných funkcí. Kontrolka zvolené funkce zůstane rozsvícena.

Otočný ovladač **ODSTŘEDOVÁNÍ**: slouží k nastavení odstředování nebo k jeho vyloučení (viz „Uživatelská nastavení“).

Otočný ovladač **TEPLoty**: slouží k nastavení teploty praní nebo praní ve studené vodě (viz „Uživatelská nastavení“).


DISPLEJ: slouží k zobrazení doby trvání různých programů, které jsou k dispozici, a po zahájení cyklu i zbývající doby ukončení probíhajícího programu; v případě nastavení **ODLOŽENÝ START** bude zobrazena doba chybějící do zahájení zvoleného programu.

ODLOŽENÝ START : stiskněte za účelem nastavení odloženého startu zvoleného programu. Doba, o kterou bude start odložen, bude zobrazena na displeji.

Kontrolky **PRŮBĚHU PRACÍHO CYKLU**: slouží ke kontrole průběhu pracího programu. Rozsvícená kontrolka poukazuje na probíhající fázi.

Kontrolka **ZABLOKOVANÁ DVÍŘKA**: informuje o tom, zda je možné otevřít dvířka (viz *vedlejší strana*).

Tlačítko s kontrolkou **START/PAUZA**: Slouží ke spuštění nebo dočasnému přerušení programů.

POZN.: Stisknutí tohoto tlačítka slouží k přerušení probíhajícího praní; příslušná kontrolka bude blikat oranžovým světlem, zatímco kontrolka probíhající fáze zůstane rozsvícena stálým světlem. Když bude kontrolka **ZABLOKOVANÁ DVÍŘKA**  zhasnuta, bude možné otevřít dvířka (vyčkejte přibližně 3 minuty).

Za účelem opětovného zahájení praní z bodu, ve kterém bylo přerušeno, znovu stiskněte toto tlačítko.

Pohotovostní režim


Za účelem shody s novými předpisy souvisejícími s energetickou úsporou je tato pračka vybavena systémem automatického vypnutí (přechodu do pohotovostního režimu – standby), který je aktivován po uplynutí 30 minut, když se pračka nepoužívá. Krátce stiskněte tlačítko **ON/OFF** a vyčkejte na obnovení činnosti zařízení.

Kontrolky

Kontrolky jsou zdrojem důležitých informací. Informují nás o následujících skutečnostech:

Kontrolka aktuální fáze pracího programu:

Po zvolení a zahájení požadovaného pracího cyklu dojde k postupnému rozsvícení kontrolky informující o jeho průběhu.

Praní	
Máchání	
Odstředování	
Odčerpání vody	
Ukončení praní	

Funkční tlačítka a příslušné kontrolky

Po zvolení konkrétní funkce dojde k rozsvícení příslušné kontrolky.


V případě, že zvolená funkce není kompatibilní s nastaveným pracím programem, příslušná kontrolka začne blikat a funkce nebude aktivována.

V případě, že zvolená funkce není kompatibilní s jinou předem zvolenou funkcí, kontrolka první funkce bude blikat a bude aktivována pouze druhá, přičemž kontrolka zvolené funkce se rozsvítí stálým světlem.

Kontrolka zablokovaných dvířek

Rozsvícení této kontrolky poukazuje na to, že dvířka jsou zajištěna kvůli zamezení náhodnému otevření; aby se zabránilo poškození dvířek, před jejich otevřením je třeba vyčkat, dokud uvedená kontrolka nezhasne; (vyčkejte přibližně 3 minuty). Za účelem otevření dvířek v průběhu pracího cyklu stiskněte tlačítko START/PAUSE; když bude kontrolka ZABLOKOVANÁ DVÍŘKA zhasnutá, bude možné otevřít dvířka.

Zahájení pracího programu

1. Zapněte pračku stisknutím tlačítka ON/OFF. Všechny kontrolky se rozsvítí na několik sekund, poté se zhasnou a bude blikat kontrolka START/PAUSE.
2. Naplňte pračku a zavřete dvířka.
3. Otočným ovladačem PROGRAMŮ nastavte požadovaný prací program.
4. Nastavte teplotu praní (viz „Uživatelská nastavení“).
5. Nastavte rychlost odstředování (viz „Uživatelská nastavení“).
6. Nadávkujte prací prostředek a přídatné prostředky (viz „Prací prostředky a prádlo“).
7. Zvolte požadované funkce.
8. Zahajte prací program stisknutím tlačítka START/PAUSE a příslušná kontrolka zůstane rozsvícena stálým světlem zelené barvy. Zrušení nastaveného pracího cyklu se provádí přerušením činnosti zařízení stisknutím tlačítka START/PATA a volbou nového cyklu.
9. Po ukončení pracího programu se rozsvítí kontrolka END. Po zhasnutí kontrolky ZABLOKOVANÁ DVÍŘKA  bude možné otevřít dvířka (vyčkejte přibližně 3 minuty). Vytáhněte prádlo a nechte dvířka pootevřená, aby bylo umožněno vysušení bubny. Vypněte pračku stisknutím tlačítka ON/OFF.

Prací programy

CZ

Tabulka pracích programů

Programy	Popis programu	Max. teplota (°C)	Max. rychlost (otáčky za minutu)	Prací prostředky			Max. náplň (kg)	Zbytková vlhkost %	Spotřeba energie kWh	Celkové množství vody lt	Cycle duration
				Předpraní	Praní	Aviváz					
EVERYDAY FAST											
1	Smíšené Barevné 59'	40°	1000	-	●	●	6	-	-	-	59'
2	Bavlna 59'	60°	1000	-	●	●	6	-	-	-	59'
3	Syntetika 59'	30°	1000	-	●	●	3	-	-	-	59'
4	Denně 45'	40°	1000	-	●	●	3	-	-	-	45'
5	Smíšené 30'	30°	800	-	●	●	3	70	0,17	31	30'
Special&Partial											
6	Sportovní oděv	40°	600	-	●	●	3	-	-	-	**
7	Bílé: silně znečištěné bílé a barevné prádlo z odolných tkanin.	60° (Max.90°)	1000	●+90°	●	●	6	-	-	-	**
8	Dětské Prádlo	40°	800	-	●	●	2	-	-	-	**
9	Máchání	-	1000	-	-	●	6	-	-	-	**
10	Odšťědování + Odčerpání vody	-	1000	-	-	-	6	-	-	-	**
10	Samostatné odčerpání vody *	-		-	-	-	6	-	-	-	**
Dedicated											
11	Příkrývky: pro prádlo plněné husím peřím.	30°	1000	-	●	●	1,5	-	-	-	**
12	Vlna: pro vlnu, kašmír atd.	40°	800	-	●	●	1	-	-	-	**
13	Hedvábí/Záclony: pro prádlo z hedvábí, viskózy, spodní prádlo.	30°	0	-	●	●	1	-	-	-	**
14	Eco bavlnu 60°C (1): silně znečištěné bílé a barevné prádlo z odolných tkanin.	60°	1000	-	●	●	6	62	0,90	50,0	240'
14	Eco bavlnu 40°C (2): silně znečištěné bílé a barevné choulostivé prádlo.	40°	1000	-	●	●	6	62	0,97	63	230'
15	Bavlnu (3): silně znečištěné bílé a barevné choulostivé prádlo.	40° (Max.60°)	1000	-	●	●	6	62	0,97	63	230'
16	Syntetika (4): Málo znečištěné barevné prádlo z odolných tkanin.	40° (Max.60°)	1000	-	●	●	3	44	0,68	45	115'

* V případě volby programu 10 a vyloučení odšťědování zařízení provede pouze odčerpání vody.

** Je možné kontrolovat dobu trvání pracích programů na displeji.

Doba trvání cyklu uvedená na displeji nebo v návodu představuje odhad vypočítaný na základě standardních podmínek. Skutečná doba se může měnit v závislosti na četných faktorech, jako je např. teplota a tlak vody na vstupu, teplota prostředí, množství pracího prostředku, množství a druh náplně, vyvážení náplně a zvolené volitelné funkce.

1) Kontrolní program podle předpisu 1061/2010: nastavte program 14 s teplotou 60°C.

Tento cyklus je vhodný pro praní běžně znečištěné bavlny a jedná se o neúčinnější cyklus z hlediska kombinované spotřeby energie a vody určený pro prádlo, které lze prát při teplotě do 60 °C. Skutečná teplota praní se může lišit od uvedené.

2) Kontrolní program podle předpisu 1061/2010: nastavte program 14 s teplotou 40°C.

Tento cyklus je vhodný pro praní běžně znečištěné bavlny a jedná se o neúčinnější cyklus z hlediska kombinované spotřeby energie a vody určený pro prádlo, které lze prát při teplotě do 40°C. Skutečná teplota praní se může lišit od uvedené.

Pro všechny Kontrolní ústavy:

3) Dlouhý program na praní bavlny: nastavte program 15 s teplotou 40°C.

4) Dlouhý program pro syntetiku: nastavte program 16 s teplotou 40°C.

Každodenní rychlé cykly

Kompletní sada rychlých programů pro praní nejběžnějších tkanin i při plné náplni a pro odstranění nejběžnějšího každodenního znečištění v průběhu méně než 1 hodiny.

Smíšené Barevné 59': pro společné praní smíšeného a barevného prádla.

Bavlna 59': cyklus navržený pro praní bavlněného, převážně bílého prádla. Lze jej používat i s pracím práškem.

Syntetika 59': specifický cyklus pro praní oblečení ze syntetických tkanin. U odolnějších nečistot lze zvýšit teplotu až do 60° a použít také prací prášek.

Denně 45': krátký cyklus pro praní choulostivého bavlněného prádla.

Smíšené 30': krátký cyklus pro společné praní bílého i barevného bavlněného i syntetického prádla.

Nastavení teploty

Otáčením otočného ovladače TEPLoty se nastavuje teplota praní (viz *Tabulka programů*).

Teplota může být postupně snižována až po praní ve studené vodě (❄).

Zařízení automaticky zabrání nastavení vyšší teploty, než je maximální teplota pro každý prací program.

! Výjimka: při volbě programu **7** bude možné zvýšit teplotu až na 90°C.

! Výjimka: při volbě programu **15** bude možné zvýšit teplotu až na 60°C.

! Výjimka: při volbě programu **16** bude možné zvýšit teplotu až na 60°C.

Nastavení odstředování

Otáčením otočného ovladače ODSTŘEDOVÁNÍ se nastavuje rychlost odstředování zvoleného pracího programu.

Maximální rychlosti pro jednotlivé prací programy jsou:

Programy	Maximální rychlost
Bavlna	1000 otáček za minutu
Syntetika	1000 otáček za minutu
Vlna	800 otáček za minutu
Hedvábí	pouze odčerpání vody

Rychlost odstředování může být snížena nebo může být odstředování vyloučeno volbou symbolu (⊘).

Zařízení automaticky zabrání odstředování vyšší rychlostí, než je maximální rychlost pro každý prací program.

Funkce

Jednotlivé funkce, kterými pračka disponuje, umožňují dosáhnout požadovaného stupně čistoty a bělosti praného prádla.

Způsob aktivace jednotlivých funkcí:

1. stiskněte příslušné tlačítko požadované funkce;
2. rozsvícení příslušné kontrolky signalizuje, že došlo k aktivaci zvolené funkce.

Poznámka:

- V případě, že zvolená funkce není kompatibilní s nastaveným pracím programem, příslušná kontrolka začne blikat a funkce nebude aktivována.
- V případě, že zvolená funkce není kompatibilní s jinou předem zvolenou funkcí, kontrolka první funkce bude blikat a bude aktivována pouze druhá, přičemž kontrolka zvolené funkce se rozsvítí stálým světlem.

Odložený start

Pro nastavení odloženého startu zvoleného programu stiskněte příslušné tlačítko až do dosažení požadované doby odložení. Po zvolení této volitelné funkce se zobrazí symbol . Zrušení odloženého startu se provádí stisknutím tlačítka až do zobrazení nápisu OFF.

Extra Wash [★]

Pro velmi znečištěné prádlo aktivujte možnost Extra Wash [★] v případech, kdy je kompatibilní. Po stisknutí tlačítka této možnosti cyklus automaticky přizpůsobí všechny parametry praní a přejde na delší cyklus. Tato možnost ponechá nezměněnou teplotu, zatímco odstředování bude automaticky nastaveno na maximální úroveň. Uživatel může vždy změnit nastavení odstředování na požadovanou hodnotu.

Energy Savér [⚡]

Možnost Energy Savér [⚡] vám umožňuje prát bavlněné a syntetické prádlo s ušetřením energie, tedy s pomocí životnímu prostředí. Úspora vzniká tím, že se praní provádí zastudena, ale intenzivnějším mechanickým působením a optimalizovaným použitím vody je i navzdory nízké teplotě dosaženo požadovaného výsledku. Tato možnost je vhodná pro praní mírně znečištěného prádla. Doporučuje se použití tekutého pracího prostředku.

Prací prostředky a prádlo

CZ

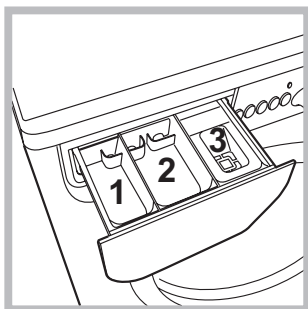
Dávkovač pracích prostředků

Dobry výsledek praní závisí také na správném dávkování pracího prostředku: použití jeho nadměrného množství snižuje efektivitu praní a napomáhá tvorbě vodního kamene na vnitřních částech pračky a zvyšuje znečištění životního prostředí.

! Nepoužívejte prací prostředky určené pro ruční praní, protože způsobují tvorbu nadměrného množství pěny.

! Pro předpírku a praní při teplotě vyšší než 60 °C použijte práškové prací prostředky pro bílé bavlněné prádlo.

! Dodržujte pokyny uvedené na obalu pracího prostředku.



Při vytahování dávkovače pracích prostředků a při jeho plnění pracími nebo přídatnými prostředky postupujte následovně.

příhrádka 1: Prací prostředek (práškový) pro předpírku
příhrádka 2: Prací prostředek (v prášku nebo tekutý)

Tekutý prací prostředek se nalévá teprve těsně před zahájením pracího cyklu.

příhrádka 3: Přídatné prostředky (aviváž atd.)

Aviváž nesmí vytékat z mřížky.

Poznámka: V případě použití „pracích tablet“ se doporučuje vždy dodržovat pokyny výrobce.

Příprava prádla

- Roztřídte prádlo podle:
 - druhu tkaniny / symbolu na visačce.
 - barvy: oddělte barevné prádlo od bílého.
- Vyprázdněte kapsy a zkontrolujte knoflíky.
- Nepřekračujte hodnoty povolené náplně, uvedené v „Tabulka programů“, vztahující se na hmotnost suchého prádla.

Kolik váží prádlo?

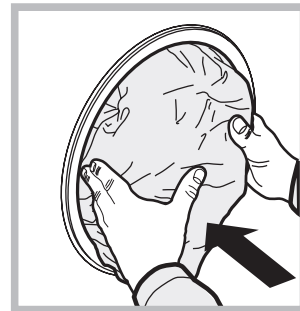
- 1 prostěradlo 400-500 g
 - 1 povlak na polštář 150-200 g
 - 1 ubrus 400-500 g
 - 1 župan 900-1.200 g
 - 1 ručník 150-250 g
- Speciální programy


Oděvy vyžadující zvláštní péči

Sportovní oděv: cyklus vhodný pro společné praní sportovního prádla, včetně ručníku z tělocvičny, s ohledem na vlákna (vycházejte z pokynů uvedených na visačkách na oblečení).

Dětské Prádlo: yklus, který byl navržen pro typické znečištění dětského oblečení i pro účinné odstranění případných stop zbývajícího pracího prostředku.

Příkrývky: při praní prádla plněného husím peřím, jako jsou například samostatné peřiny (nepřesahující hmotnost 1,5 kg), polštáře, větrovky, používejte příslušný program 11. Doporučujeme vkládat peřiny do bubnu tak, že se jejich oba okraje složí směrem dovnitř (viz obrázky), a nepřekročit přitom ¼ celkového objemu samotného bubnu. Za účelem optimálního praní se doporučuje použít tekutý prací prostředek a dávkovat jej prostřednictvím dávkovače pracích prostředků.



Vlna: S programem 12 je možné prát v pračce všechny druhy vlněného prádla, také ty, které jsou označeny visačkou „prát pouze v ruce“ . Pro dosažení optimálních výsledků používejte specifický prací prostředek a nepřekračujte 1 kg prádla.

Hedvábí: použijte příslušný program 13 pro praní všeho prádla z hedvábí. Doporučujeme použití pracího prostředku pro choulostivé prádlo.

Záclony: přehnout je a uložit dovnitř povlaku na polštář anebo do sáčku ze síťoviny. Použijte program 13.

Systém automatického vyvážení náplně

Před každým odstředováním bubne provede otáčení rychlostí lehce převyšující rychlost praní, aby se odstranily vibrace a aby se náplň rovnoměrně rozložila. V případě, že po několikanásobných pokusech o vyvážení prádlo ještě nebude správně vyváжено, zařízení provede odstředování nižší rychlostí, než je přednastavená rychlost. Za přítomnosti nadměrného nevyvážení pračka provede namísto odstředování vyvážení. Za účelem dosažení rovnoměrnějšího rozložení náplně a jejího správného vyvážení se doporučuje mchat velké a malé kusy prádla.

Může se stát, že pračka nebude fungovat. Dříve, než zatelefonujete na Servisní službu (viz „*Servisní služba*“), zkontrolujte, zda se nejedná o problém, který lze snadno vyřešit s pomocí následujícího seznamu.

Poruchy:

Možné příčiny / Způsob jejich odstranění:

Pračku nelze zapnout.

- Zástrčka není zasunuta v zásuvce nebo není zasunuta natolik, aby došlo ke spojení kontaktů.
- V celém domě je vypnutý proud.

Nedochází k zahájení pracího cyklu.

- Nejsou řádně zavřená dvířka.
- Nebylo stisknuto tlačítko ON/OFF.
- Nebylo stisknuto tlačítko START/PAUSE.
- Nebyl otevřen kohout přívodu vody.
- Byl nastaven odložený start (viz „*Uživatelská nastavení*“).

Pračka nenapouští vodu (Na displeji se zobrazí blikající nápis „H2O“).

- Přívodní hadice není připojena k vodovodnímu kohoutu.
- Hadice je příliš ohnutá.
- Nebyl otevřen kohout přívodu vody.
- V celém domě je uzavřený přívod vody.
- V rozvodu vody není dostatečný tlak.
- Nebylo stisknuto tlačítko START/PAUSE.

Dochází k nepřetržitému napouštění a odčerpávání vody.

- Vypouštěcí hadice se nachází mimo určené rozmezí od 65 do 100 cm nad zemí (viz „*Instalace*“).
 - Koncová část vypouštěcí hadice je ponořena ve vodě (viz „*Instalace*“).
 - Odpad ve stěně není vybaven odvzdušňovacím otvorem.
- Když ani po uvedených kontrolách nedojde k odstranění problému, uzavřete přívod vody, vypněte pračku a přivolejte Servisní službu. V případě, že se byt nachází na jednom z nejvyšších poschodí, je možné, že dochází k sifonovému efektu, jehož následkem pračka nepřetržitě napouští a odčerpává vodu. Pro odstranění uvedeného efektu jsou v prodeji běžně dostupné speciální protisifonové ventily.

Nedochází k vyčerpání vody nebo k odstředování.

- Odčerpání vody netvoří součást nastaveného programu: u některých programů je třeba jej aktivovat manuálně.
- Vypouštěcí hadice je ohnutá (viz „*Instalace*“).
- Odpadové potrubí je ucpáno.

Během odstředování je možné pozorovat silné vibrace pračky.

- Během instalace nebyl buben odjištěn předepsaným způsobem (viz „*Instalace*“).
- Pračka není dokonale vyrovnaná do vodorovné polohy (viz „*Instalace*“).
- Pračka je stlačena mezi nábytkem a stěnou (viz „*Instalace*“).

Dochází k úniku vody z pračky.

- Přítoková hadice není správně zašroubována (viz „*Instalace*“).
- Dávkovač pracích prostředků je ucpán (způsob jeho vyčištění je uveden v části „*Údržba a péče*“).
- Vypouštěcí hadice není upevněna předepsaným způsobem (viz „*Instalace*“).

Kontrolky „volitelné funkce“ a kontrolka „START/PAUSE“ blikají a jedna z kontrolek „probíhající fáze“ a „zablokovaná dvířka“ se rozsvítí stálým světlem.

- Vypněte zařízení a vytáhněte zástrčku ze zásuvky, vyčkejte přibližně 1 minutu a opětovně jej zapněte.
- Když porucha přetrvává, obraťte se na Servisní službu.

Dochází k tvorbě nadměrného množství pěny.

- Použitý prací prostředek není vhodný pro použití v automatické pračce (musí obsahovat označení „pro praní v pračce“, „pro ruční praní nebo pro praní v pračce“ nebo podobné označení).
- Bylo použito jeho nadměrné množství.

Servisní služba

CZ

Před přivoláním Servisní služby:

- Zkontrolujte, zda nejste schopni poruchu odstranit sami (viz „Poruchy a způsob jejich odstranění“);
- Opětovně uveďte do chodu prací program, abyste ověřili, zda byla porucha odstraněna;
- V opačném případě se obraťte na Centrum servisní služby na telefonním čísle uvedeném na záručním listu.

! Nikdy se neobracejte s žádostí o pomoc na techniky, kteří nejsou k výkonu této činnosti oprávněni.

Při hlášení poruchy uveďte:

- druh poruchy;
- model zařízení (Mod.);
- výrobní číslo (S/N).

Tyto informace jsou uvedeny na štítku aplikovaném na zadní části pračky a v její přední části, dostupné po otevření dvířek.

NAŘÍZENÍ KOMISE V PŘENESENÉ PRÁVOMOCI (EU) č. 1061/2010	
Značka	INDESIT
Model	EWD 61052 W EU/1
Jmenovitá kapacita bavlněné látky v kg	6
Třída energetické účinnosti na stupnici A+++ (nejnižší spotřeba) až G (vysoká spotřeba)	A++
Roční spotřeba energie v kWh ¹⁾	173
Spotřeba energie standardního programu pro bavlnu pro praní při 60 °C s celou náplní v kWh ²⁾	0.907
Spotřeba energie standardního programu pro bavlnu pro praní při 60 °C s poloviční náplní v kWh ²⁾	0.668
Spotřeba energie standardního programu pro bavlnu pro praní při 40 °C s poloviční náplní v kWh ²⁾	0.584
Vážená spotřeba energie ve vypnutém stavu ve W	0.5
Vážená spotřeba energie v režimu ponechání v zapnutém stavu ve W	8
Roční spotřeba vody v litrech ³⁾	8400
Třída účinnosti sušení odštěďováním na stupnici od G (nejmenší účinnost) do A (nejvyšší účinnost)	C
Maximální otáčky při odštěďování ⁴⁾	1000
Zbytkový obsah vlhkosti v % ⁵⁾	62.0%
Trvání „standardního programu pro bavlnu pro praní při 60 °C“ s celou náplní v minutách.	240
Trvání „standardního programu pro bavlnu pro praní při 60 °C“ s poloviční náplní v minutách.	190
Trvání „standardního programu pro bavlnu pro praní při 40 °C“ s poloviční náplní v minutách.	185
Trvání režimu ponechání v zapnutém stavu v minutách	30
Emise hluku v dB(A) re 1 pW během praní ⁶⁾	60
Emise hluku v dB(A) re 1 pW během odštěďování ⁶⁾	80
Vestavný spotřebič	

¹⁾ „Standardní program pro bavlnu pro praní při 60 °C“ s celou náplní a poloviční náplní a standardní program pro bavlnu pro praní při 40 °C s poloviční náplní jsou standardní prací programy, na které se vztahují informace uvedené na energetickém štítku a v informačním listu. Tyto programy jsou vhodné pro praní běžně znečištěného bavlněného prádla a jedná se o neúčinnější programy z hlediska kombinované spotřeby energie a vody.

²⁾ Na základě 220 standardních pracích cyklů s programy pro bavlnu pro praní při 60 °C a 40 °C s celou a poloviční náplní a spotřeba v režimech s nízkou spotřebou energie. Skutečná spotřeba energie bude záviset na tom, jak je spotřebič používán.

³⁾ Na základě 220 standardních pracích cyklů s programy pro bavlnu pro praní při 60 °C a 40 °C s celou a poloviční náplní. Skutečná spotřeba vody bude záviset na tom, jak je spotřebič používán.

⁴⁾ U standardního programu pro bavlnu pro praní při 60 °C s celou náplní nebo u standardního programu pro bavlnu pro praní při 40 °C s poloviční náplní podle toho, která hodnota je menší.

⁵⁾ U standardního programu pro bavlnu pro praní při 60 °C s celou náplní nebo u standardního programu pro bavlnu pro praní při 40 °C s poloviční náplní podle toho, která hodnota je větší.

⁶⁾ Během fáze praní a odštěďování u standardního programu pro bavlnu pro praní při 60 °C s celou náplní.

SK

Slovensky

EWD 61052

Obsah

Inštalácia, 38-39

Rozbalenie a vyrovnanie do vodorovnej polohy
Pripojenie k elektrickej a k vodovodnej sieti
Prvý prací cyklus
Technické údaje

Údržba a starostlivosť, 40

Uzavretie prívodu vody a vypnutie elektrického napájania
Čistenie práčky
Čistenie dávkovača pracích prostriedkov
Starostlivosť o dvierka a bubon
Čistenie čerpadla
Skontrolujte prítokovú hadicu vodu

Opatrenia a rady, 41

Základné bezpečnostné pokyny
Likvidácia

Popis práčky a zahájenie pracieho programu, 42-43

Ovládací panel
Kontrolky
Zahájenie pracieho programu

Pracie programy, 44

Tabuľka pracích programov
Každodenné rýchle cykly

Užívateľské nastavenia, 45

Nastavenie teploty
Nastavenie odstreďovania
Funkcie

Pracie prostriedky a prádlo, 46

Dávkovač pracích prostriedkov
Príprava prádla
Prádlo vyžadujúce osobitnú starostlivosť
Systém automatického vyváženia náplne

Poruchy a spôsob ich odstránenia, 47

Servisná služba, 48

Inštalácia

SK

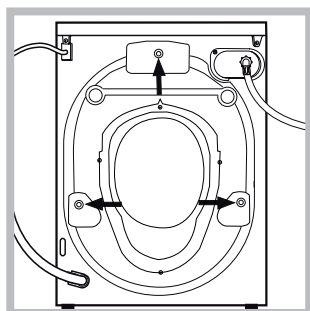
! Je veľmi dôležité uschovať tento návod kvôli prípadnému ďalšiemu použitiu. V prípade predaja, darovania alebo presťahovania práčky sa uistite, že zostane uložený v jej blízkosti, aby mohol poslúžiť novému majiteľovi pri oboznámení sa s činnosťou a s príslušnými upozoreniami.

! Pozorne si prečítajte uvedené pokyny: obsahujú dôležité informácie, týkajúce sa inštalácie, použitia a bezpečnosti pri práci.

Rozbalenie a vyrovnanie do vodorovnej polohy

Rozbalenie

1. Rozbaľte práčku.
2. Skontrolujte, či počas prepravy nedošlo k jej poškodeniu. V prípade, že je poškodená, nezapájajte ju a obráťte sa na predajcu.



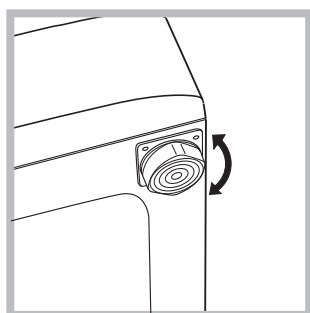
3. Odstráňte 3 skrutky slúžiace na ochranu počas prepravy a gumovú podložku s príslušným dištančným členom, ktoré sa nachádzajú v zadnej časti (vid' obrázok).

4. Uzatvorte otvory po skrutkách plastovými krytkami z príslušenstva.
5. Uschovajte všetky diely: v prípade opätovnej prepravy práčky ich bude potrebné opätovne namontovať.

! Obaly nie sú hračky pre deti!

Vyrovnanie do vodorovnej polohy

1. Práčku je potrebné umiestniť na rovnú a pevnú podlahu tak, aby nebola opretá o stenu, nábytok alebo o niečo iné.

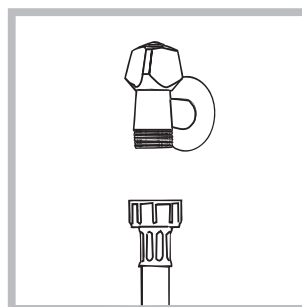


2. V prípade, že podlaha nie je dokonale vodorovná, môžu byť prípadné rozdiely vykompenzované skrútkovaním predných nožičiek (vid' obrázok); Uhol sklonu, nameraný na pracovnej ploche, nesmie presiahnuť 2°.

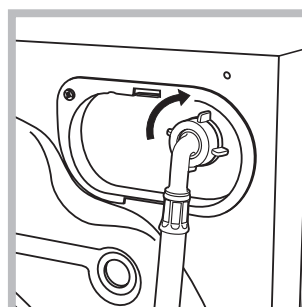
Dokonalé vyrovnanie do vodorovnej polohy zabezpečí stabilitu zariadenia a zamedzí vzniku vibrácií a hluku počas činnosti. V prípade inštalácie na podlahovú krytinu alebo na koberec, nastavte nožičky tak, aby pod práčkou zostal dostatočný voľný priestor na ventiláciu.

Prípojenie k elektrickej a k vodovodnej sieti

Prípojenie prítokovej hadice vody



1. Pripojte prívodnú hadicu jej zaskrutkovaním ku kohútiku so studenou vodou s hrdlom so závitom 3/4" (vid' obrázok). Pred pripojením hadice nechajte vodu odtiecť, až kým nebude číra.



2. Pripojte prítokovú hadicu k práčke, jej zaskrutkovaním k príslušnej prípojke na vodu, umiestnenej vpravo hore (vid' obrázok).

3. Zabezpečte, aby hadica nebola príliš ohnutá alebo stlačená.

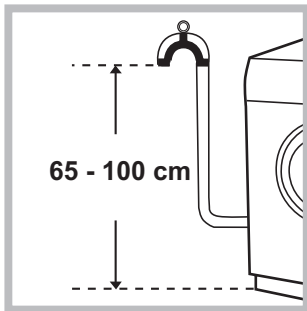
! Tlak v rozvode vody sa musí pohybovať v rozmedzí hodnôt uvedených v tabuľke s technickými údajmi (vid' vedľajšia strana).

! V prípade, že dĺžka prítokovej hadice nebude dostatočná, obráťte sa na špecializovanú predajňu alebo na autorizovaný technický personál.

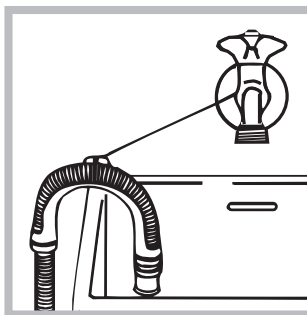
! Nikdy nepoužívajte už použité hadice.

! Používajte hadice z príslušenstva zariadenia.

Pripojenie vypúšťacej hadice



Pripojte vypúšťaciu hadicu, bez toho aby ste ju ohli, k odpadovému potrubiu alebo k odpadu v stene, ktorý sa nachádza od 65 do 100 cm nad zemou;



alebo ju uchyťte k okraju umývadla či vane, a pripevnite vodiaci držiak z príslušenstva ku kohútu (vid' obrázok). Voľný koniec vypúšťacej hadice nesmie zostať ponořený do vody.

! Použitie predlžovacích hadíc sa neodporúča; ak je však nevyhnutné, predlžovacia hadica musí mať rovnaký priemer ako originálna hadica a jej dĺžka nesmie presiahnuť 150 cm.

Pripojenie k elektrickej sieti

Pred zasunutím zástrčky do zásuvky sa uistite, že:

- zásuvka je uzemnená a že vyhovuje normám;
- zásuvka je schopná uniesť maximálnu záťaž odpovedajúcu menovitému príkonu zariadenia, uvedenému v tabuľke s technickými údajmi (vid' vedľa);
- hodnota napájacieho napätia odpovedá údajom uvedeným v tabuľke s technickými údajmi (vid' vedľa);
- zásuvka je kompatibilná so zástrčkou práčky. V opačnom prípade je potrebné vymeniť zásuvku alebo zástrčku.

! Práčka nesmie byť umiestnená vonku – pod holým nebom, a to ani v prípade, keby sa jednalo o miesto chránené pred nepriazňou počasia, pretože je veľmi nebezpečné vystaviť ju dažďu a búrkam.

! Po ukončení inštalácie musí zásuvka zostať ľahko prístupná.

! Nepoužívajte predlžovacie káble a rozvodky.

! Kábel nesmie byť ohnutý alebo pritlačený.

! Výmena kábla musí byť zverená výhradne autorizovanému technickému personálu.

Upozornenie! Výrobca neponesie žiadnu zodpovednosť za následky spôsobené nerešpektovaním týchto pokynov.

Prvý prací cyklus

Po inštalácii zariadenia je potrebné ešte pred jeho použitím vykonať jeden skúšobný cyklus s prácim prostriedkom a bez náplne prádla, nastavením pracieho programu 2.

Technické údaje

Model	EWD 61052
Rozmery	šírka 59,5 cm výška 85 cm hĺbka 51,7 cm
Kapacita	od 1 do 6 kg
Elektrické zapojenie	Vid' štítok s technickými údajmi, aplikovaný na zariadení.
Pripojenie k rozvodu vody	maximálny tlak 1 MPa (10 bar) maximálny tlak 0,05 MPa (0.5 bar) kapacita bubna 40 litrov
Rýchlosť odstreďovania	Až do 1000 otáčok za minútu
Kontrolné programy podľa smerníc 1061/2010 a 1015/2010	Program 14: Eco bavlnu 60°C. Program 14: Eco bavlnu 40°C.
 	Toto zariadenie je v zhode s nasledujúcimi smernicami Európskej únie: - EMC 2014/30/EU (Elektromagnetická kompatibilita) - LVD 2014/35/EU (Nízke napätie) - 2012/19/EU - WEEE

Údržba a starostlivosť

SK

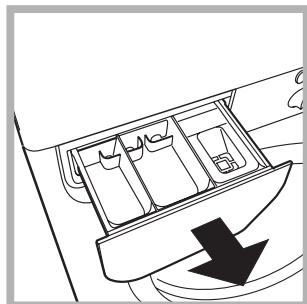
Uzavretie prívodu vody a vypnutie elektrického napájania

- Po každom praní uzatvorte prívod vody. Týmto spôsobom sa znižuje opotrebenie rozvodu vody zariadenia a znižuje sa nebezpečenstvo úniku vody.
- Pred zahájením čistenia práčky a počas údržby je potrebné vytiahnuť zástrčku prívodného kábla zo zásuvky.

Čistenie práčky

Vonkajšie časti a časti z gumy môžu byť čistené utierkou navlhčenou vo vlažnej vode a saponáte. Nepoužívajte rozpúšťadlá alebo abrazívne prostriedky.

Čistenie dávkovača pracích prostriedkov



Vytiahnite dávkovač jeho nadvihnutím a vytiahnutím smerom von (vid' obrázok). Dávkovač umyte pod prúdom vody; toto čistenie je potrebné vykonávať pravidelne.

Starostlivosť o dvierka a bubon

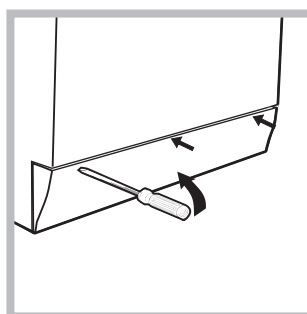
- Dvierka ponechajte zakaždým pootvorené, aby sa zabránilo tvorbe nepríjemných zápachov.

Čistenie čerpadla

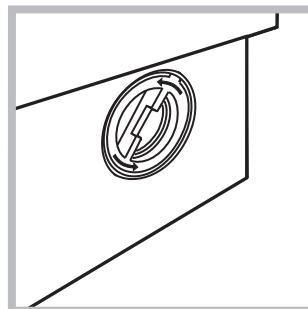
Súčasťou práčky je samočistiace čerpadlo, ktoré nevyžaduje údržbu. Môže sa však stať, že sa v jeho vstupnej ochrannej časti, nachádzajúcej na spodku, zachytia drobné predmety (mince, gombíky).

! Uistite sa, že prací cyklus bol ukončený a vytiahnite zástrčku zo zásuvky.

Prístup k vstupnej časti čerpadla:



1. pomocou skrutkovača odstráňte krycí panel, nachádzajúci sa v prednej časti práčky (vid' obrázok);



2. odskrutkujte veko otáčaním proti smeru hodinových ručičiek (vid' obrázok): vytečenie malého množstva vody je úplne bežným javom;

3. dokonale vyčistite vnútro;
4. nasadte naspäť veko;
5. namontujte naspäť krycí panel, pričom sa pred jeho prisunutím k práčke uistite, že došlo k správnej zachyteniu háčikov do príslušných otvorov.

Skontrolujte prítokovú hadicu vodu

Stav prítokovej hadice je potrebné skontrolovať aspoň raz ročne. Ak sú na nej viditeľné praskliny alebo trhliny, je potrebné ju vymeniť: silný tlak v hadici počas pracieho cyklu by mohol spôsobiť jej náhle roztrhnutie.

! Nikdy nepoužívajte už použité hadice.

! Práčka bola navrhnutá a vyrobená v súlade s platnými medzinárodnými bezpečnostnými predpismi. Tieto upozornenia sú uvádzané z bezpečnostných dôvodov a je potrebné si ich pozorne prečítať.

Základné bezpečnostné pokyny

- Toto zariadenie bolo navrhnuté výhradne na použitie ako spotrebič.
- Toto zariadenie smú používať deti od 8 rokov, osoby náležite vyškolené ohľadne bezpečného použitia zariadenia, ktoré si uvedomujú súvisiace nebezpečenstvo a v prípade dozoru aj osoby so zníženými fyzickými, senzorickými alebo duševnými schopnosťami alebo osoby s nedostatočnými skúsenosťami a znalosťami. Deti sa so zariadením nesmú hrať. Operácie údržby a čistenia nesmú vykonávať deti bez dohľadu.
- Nedotýkajte sa zariadenia bosí, alebo v prípade, keď máte mokré ruky alebo nohy.
- Nevyťahujte zástrčku zo zásuvky ťahaním za kábel, ale uchopením za zástrčku.
- Neotvárajte dávkovač pracích prostriedkov počas činnosti zariadenia.
- Nedotýkajte sa odčerpávanej vody, pretože môže mať veľmi vysokú teplotu.
- V žiadnom prípade sa nepokúšajte o násilné otvorenie dvierok: mohlo by dôjsť k poškodeniu bezpečnostného uzáveru, ktorý zabraňuje náhodnému otvoreniu.
- Pri výskyte poruchy sa v žiadnom prípade nepokúšajte o opravu vnútorných častí zariadenia.
- Vždy majte pod kontrolou deti a zabráňte tomu, aby sa približovali k zariadeniu počas pracieho cyklu.
- Počas pracieho cyklu majú dvierka tendenciu zohrievať sa.
- Ak je potrebné ju presunúť, je dobré poveriť dve alebo tri osoby a vykonať to s maximálnou pozornosťou. Nikdy sa nepokúšajte zariadenie premiestňovať sami, pretože je veľmi ťažké.
- Pred zahájením vkladania prádla skontrolujte, či je bubon prázdny.

Likvidácia

- Likvidácia obalových materiálov: pri ich odstránení postupujte v súlade s miestnymi predpismi a dbajte na možnú recykláciu.
- Európska smernica 2012/19/EU - WEEE o odpadových elektrických a elektronických zariadeniach stanovuje, že staré domáce elektrické spotrebiče nesmú byť odkladané do bežného netriedeného domového odpadu. Staré spotrebiče musia byť odovzdané do oddeleného zberu a to za účelom recyklácie a optimálneho využitia materiálov, ktoré obsahujú, z dôvodu prevencie negatívneho dopadu na ľudské zdravie a životné prostredie.

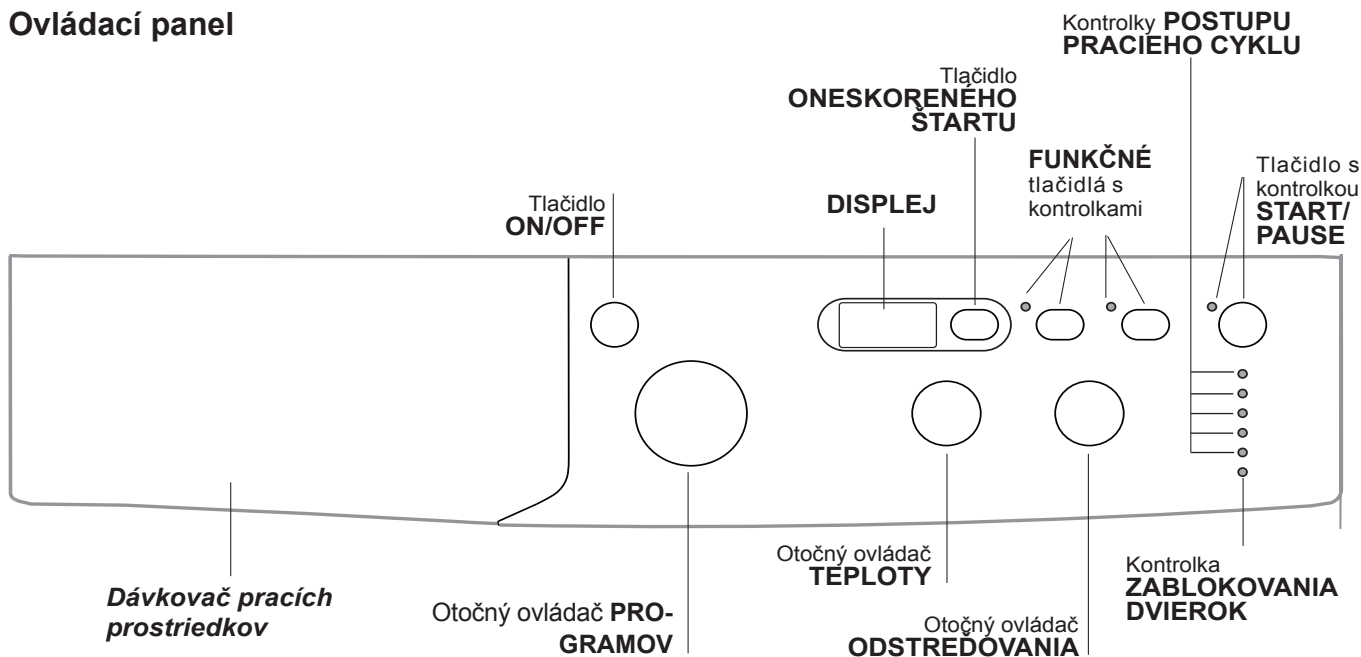
Symbol “prečiarknutej popolnice” na výrobku Vás upozorňuje na povinnosť odovzdať zariadenie po skončení jeho životnosti do oddeleného zberu.

Spotrebitelia majú povinnosť kontaktovať ich lokálny úrad alebo maloobchod kvôli informáciám týkajúcich sa správneho odovzdaniu a likvidácie ich starých spotrebičov.

Popis práčky a zahájenie pracieho programu

SK

Ovládací panel



Dávkovač pracích prostriedkov: slúži na dávkovanie pracích prostriedkov a prídavných prostriedkov (vid' „Pracie prostriedky a prádlo“).

Tlačidlo **ON/OFF:** slúži na zapnutie a vypnutie práčky.


Otočný ovládač **PROGRAMOV:** pre nastavenie pracích programov. Počas pracieho programu zostane v rovnakej polohe.

FUNKČNÉ tlačidlá s kontrolkami: Slúžia na voľbu jednotlivých dostupných funkcií. Kontrolka zvolenej funkcie zostane rozsvietená.

Otočný ovládač **ODSTREĐOVANIA:** slúži na nastavenie odstredovania alebo na jeho vylúčenie (vid' „Užívateľské nastavenia“).

Otočný ovládač **TEPLoty:** slúži na nastavenie teploty alebo prania alebo prania v studenej vode (vid' „Užívateľské nastavenia“).


DISPLEJ: pre zobrazenie doby trvania rôznych programov a po zahájení činnosti aj pre zobrazenie doby zostávajúcej do jeho ukončenia; v prípade nastavenia **ONESKORENÉHO ŠTARTU** bude zobrazená doba zostávajúca do zahájenia zvoleného programu.

Tlačidlo **ONESKORENÉHO ŠTARTU** : stlačte za účelom nastavenia oneskoreného štartu zvoleného programu. Doba, o ktorú bude štart oneskorený, bude zobrazená na displeji.

Kontrolky **POSTUPU PRACIEHO CYKLU:** slúžia na kontrolu postupu pracieho programu. Rozsvietená kontrolka poukazuje na prebiehajúcu fázu.

Kontrolka **ZABLOKOVANIA DVIEROK:** informuje o tom, či je možné otvoriť dverka (vid' vedľajšia strana).

Tlačidlo s kontrolkou **START/PAUSE:** slúži na zahájenie alebo na dočasné prerušenie programov.

POZN.: Stlačenie tohoto tlačidla slúži na prerušenie prebiehajúceho prania; príslušná kontrolka bude blikať oranžovým svetlom, zatiaľ čo kontrolka prebiehajúcej fázy zostane rozsvietená stálym svetlom. Keď bude kontrolka **ZABLOKOVANIA DVIEROK**  zhasnutá, bude možné otvoriť dverka (vyčkajte približne 3 minúty). Pre opätovné zahájenie prania z bodu, v ktorom bolo prerušené, opätovne stlačte toto tlačidlo.

Pohotovostný režim





Po skončení cyklu alebo v case, keď nie je spustený žiaden cyklus, po 30 minútach dôjde k vypnutiu zariadenia kvôli energetickej úspore. Na obnovenie činnosti zariadenia, nachádzajúceho sa v pohotovostnom režime, stačí stlačiť tlačidlo **ON/OFF**.

Kontrolky

Kontrolky sú zdrojom dôležitých informácií. Informujú o nasledujúcich skutočnostiach:

Kontrolky prebiehajúcej fázy

Po zvolení a zahájení požadovaného pracovného cyklu dôjde k postupnému rozsvetovaniu kontroliek informujúcich o jeho postupe.

Pranie	● 
Plákanie	● 
Odstreďovanie	● 
Odčerpanie vody	● 
Ukončenie prania	● END

Funkčné tlačidlá a príslušné kontrolky


Po zvolení konkrétnej funkcie dôjde k rozsvieteniu príslušnej kontrolky.

Keď zvolenú funkciu nie je možné zaradiť do nastaveného programu, príslušná kontrolka bude blikať, budete počuť akustický signál a funkcia nebude aktivovaná. V prípade, že zvolená funkcia nie je kompatibilná s inou predtým zvolenou funkciou, kontrolka prvej voľiteľnej funkcie bude blikať a bude aktivovaná len druhá, pričom kontrolka zvolenej funkcie sa rozsvieti stálym svetlom.

Kontrolka zablokovania dvierok

Rozsvietenie tejto kontrolky signalizuje, že dvierka sú zaistené kvôli zamedzeniu ich náhodnému otvoreniu; aby sa dvierka nepoškodili, pred ich otvorením je potrebné vyčkať, kým uvedená kontrolka nezhasne; (vyčkajte približne 3 minúty). Na otvorenie dvierok v priebehu pracovného cyklu stlačte tlačidlo START/PAUSE; keď bude kontrolka ZABLOKOVANIA DVIEROK zhasnutá, bude možné dvierka otvoriť.

Zahájenie pracovného programu

1. Zapnite práčku stlačením tlačidla ON/OFF. Všetky kontrolky sa rozsvetia na niekoľko sekúnd, potom zhasnú a bude blikať kontrolka START/PAUSE.
2. Naplňte práčku a zatvorte dvierka.
3. Otočným ovládačom PROGRAMOV zvolte požadovaný prací program.
4. Nastavte teplotu prania (vid' „Užívateľské nastavenia“).
5. Nastavte rýchlosť odstreďovania (vid' „Užívateľské nastavenia“).
6. slúži na dávkovanie pracovného prostriedku a prídavných prostriedkov (vid' „Pracie prostriedky a prádlo“).
7. Zvolte požadované funkcie.
8. Zahajte prací program stlačením tlačidla START/PAUSE a príslušná kontrolka zostane rozsvietená stálym svetlom zelenej farby. Zrušenie nastaveného pracovného cyklu sa vykonáva prerušením činnosti zariadenia stlačením tlačidla START/PAUSE a voľbou nového cyklu.
9. Po ukončení pracovného programu sa rozsvieti kontrolka END. Po zhasnutí kontrolky ZABLOKOVANIA DVIEROK  bude možné dvierka otvoriť (vyčkajte približne 3 minúty). Vytiahnite prádlo a nechajte dvierka pootvorené, aby bolo umožnené vysušenie bubna. Zapnite práčku stlačením tlačidla ON/OFF.

Pracie programy

SK

Tabuľka pracích programov

Pracie programy	Popis programu	Max. Teplota (°C)	Max. rýchlosť (otáčky za minútu)	Pracie prostriedky			Max. nápln (kg)	Zvyšková vlhkosť %	Spotreba energie kWh	Voda celkom lt	Doba trvania cyklu
				Predpranie	Pranie	Avivaz					
EVERYDAY FAST											
1	Zmiešané Farebné 59'	40°	1000	-	●	●	6	-	-	-	59'
2	Bavlna 59'	60°	1000	-	●	●	6	-	-	-	59'
3	Syntetika 59'	30°	1000	-	●	●	3	-	-	-	59'
4	Denná 45'	40°	1000	-	●	●	3	-	-	-	45'
5	Zmiešané 30'	30°	800	-	●	●	3	70	0,17	31	30'
Special&Partial											
6	Športový odev	40°	600	-	●	●	3	-	-	-	**
7	Biele: Znacne špinavé biele a farebné prádlo z odolných tkanín.	60° (Max.90°)	1000	●+90°	●	●	6	-	-	-	**
8	Detský program	40°	800	-	●	●	2	-	-	-	**
9	Plákanie	-	1000	-	-	●	6	-	-	-	**
10	Odstred'ovanie + Odčerpanie vody	-	1000	-	-	-	6	-	-	-	**
10	Samostatné odčerpanie vody *	-	⊘	-	-	-	6	-	-	-	**
Dedicated											
11	Prádko plnené perím: Pre prádko plnené husím perím.	30°	1000	-	●	●	1,5	-	-	-	**
12	Vlna: Pre vlnu, kašmír, atd.	40°	800	-	●	●	1	-	-	-	**
13	HODVÁB/ZACLONY: Pre prádko z hodvábu, viskózy, spodné prádko.	30°	0	-	●	●	1	-	-	-	**
14	Eco bavlnu 60°C (1): Znacne špinavé biele a farebné prádko z odolných tkanín.	60°	1000	-	●	●	6	62	0,90	50,0	240'
14	Eco bavlnu 40°C (2): Znacne špinavé biele a farebné prádko z chúlolistivých tkanín.	40°	1000	-	●	●	6	62	0,97	63	230'
15	Bavlnu (3): Znacne špinavé biele a farebné prádko z chúlolistivých tkanín.	40° (Max.60°)	1000	-	●	●	6	62	0,97	63	230'
16	Syntetika (4): Málo znečistené farebné prádko z odolných tkanín.	40° (Max.60°)	1000	-	●	●	3	44	0,68	45	115'

* V prípade voľby programu 10 a vylúčenia odstred'ovania, zariadenie vykoná len odčerpanie vody.

** Je možné kontrolovať dobu trvania pracích programov na displeji.

Doba trvania cyklu, uvedená na displeji alebo v návode, je stanovená na základe štandardných podmienok. Skutočná doba sa môže meniť v závislosti na mnohých faktoroch, ako sú napr. teplota a tlak vody na vstupe, teplota prostredia, množstvo pracieho prostriedku, množstvo a druh náplne, vyváženie náplne a zvolené funkcie.

1) Kontrolný program podľa predpisu 1061/2010: nastavte program 14 s teplotou 60°C.

Tento cyklus je vhodný pre pranie bežne znečisteného bavlneného prádla a jedná sa o najúčinnjší cyklus z hľadiska kombinovanej spotreby energie a vody, určený pre prádko, ktoré je možné prať pri teplote do 60°C. Skutočná teplota prania sa môže líšiť od uvedenej.

2) Kontrolný program podľa predpisu 1061/2010: nastavte program 14 s teplotou 40°C.

Tento cyklus je vhodný pre pranie bežne znečisteného bavlneného prádla a jedná sa o najúčinnjší cyklus z hľadiska kombinovanej spotreby energie a vody, určený pre prádko, ktoré je možné prať pri teplote do 40°C. Skutočná teplota prania sa môže líšiť od uvedenej.

Pre všetky Test Institutes:

3) Dlhý program na pranie bavlny: nastavte program 15 s teplotou 40°C.

4) Dlhý program pre syntetické prádko: nastavte program 16 s teplotou 40°C.

Každodenné rýchle cykly

Kompletná rada rýchlych programov na pranie najbežnejších tkanín aj pri max. náplni a na odstránenie najbežnejšieho každodenného znečistenia v priebehu menej ako 1 hodiny.

Zmiešané Farebné 59': na pranie zmiešaného i farebného prádla spolu.

Bavlna 59': cyklus navrhnutý na pranie bavlneného, prevažne bieleho prádla. Je možné ho používať i s pracím práškom.

Syntetika 59': špecifický cyklus na pranie oblečenia zo syntetických tkanín. V prípade odolnejších nečistôt je možné zvýšiť teplotu až do 60° a použiť aj prací prášok.

Denná 45': krátky cyklus navrhnutý na pranie chúlolistivého bavlneného prádla.

Zmiešané 30': krátky cyklus navrhnutý pre spoločné pranie bavlneného i syntetického prádla, bieleho i farebného.

Nastavenie teploty

Otáčaním otočného ovládača TEPLOTY sa nastavuje teplota prania (viď *Tabuľka programov*).

Teplota môže byť postupne znižovaná až po pranie v studenej vode (❄).

Zariadenie automaticky zabráni nastaveniu vyššej teploty ako je maximálna teplota pre každý prací program.

! Výnimka: pri voľbe programu **7** bude možné zvýšiť teplotu až na 90°C.

! Výnimka: pri voľbe programu **15** bude možné zvýšiť teplotu až na 60°C.


! Výnimka: pri voľbe programu **16** bude možné zvýšiť teplotu až na 60°C.

Nastavenie odstredovania

Otáčaním otočného ovládača Odstredovania sa nastavuje rýchlosť odstredovania zvoleného pracieho programu.

Maximálne rýchlosti pre jednotlivé pracie programy sú:

Pracie programy	Maximálna rýchlosť
Bavlna	1000 otáčok za minútu
Syntetické tkaniny	1000 otáčok za minútu
Vlna	800 otáčok za minútu
Hodváb	len odčerpanie vody

Rýchlosť odstredovania môže byť znížená, alebo odstredovanie môže byť vylúčené voľbou symbolu .

Zariadenie automaticky zabráni nastaveniu vyššej rýchlosti odstredovania ako je maximálna rýchlosť pre každý prací program.

Funkcie

Jednotlivé funkcie, ktorými práčka disponuje, umožňujú dosiahnuť požadovaný stupeň čistoty a belosti praného prádla.


Spôsob aktivácie jednotlivých funkcií:

1. stlačte príslušné tlačidlo požadovanej funkcie;
2. rozsvietenie príslušnej kontrolky signalizuje, že došlo k aktivácii zvolenej funkcie.


Poznámka:

- Keď zvolenú funkciu nie je možné zaradiť do nastaveného programu, príslušná kontrolka bude blikať, budete počuť akustický signál a funkcia nebude aktivovaná.
- V prípade, že zvolená funkcia nie je kompatibilná s inou predtým zvolenou funkciou, kontrolka prvej voliteľnej funkcie bude blikať a bude aktivovaná len druhá, pričom kontrolka zvolenej funkcie sa rozsvieti stálym svetlom.


Oneskoreného štartu

Pre nastavenie oneskoreného štartu zvoleného programu stlačajte príslušné tlačidlo, až kým nenastavíte požadovanú dobu oneskorenia. Keď je táto funkcia zvolená, na displeji sa rozsvieti symbol . Na zrušenie oneskoreného štartu je potrebné stlačiť tlačidlo, až kým sa na displeji nezobrazí symbol "OFF".

Extra Wash

Pre veľmi znečistené prádlo aktivujte možnosť Extra Wash , ak je táto funkcia dostupná. Po stlačení tohto tlačidla cyklus automaticky prispôsobí všetky parametre prania a prejde na dlhší cyklus. Táto možnosť ponechá nezmenenú teplotu, zatiaľ čo odstredovanie bude automaticky nastavené na maximálnu úroveň. Užívateľ môže vždy prestaviť odstredovanie na požadovanú hodnotu.

Energy Saver

Možnosť  Energy Saver vám umožňuje prať bavlnené a syntetické prádlo s ušetrením energie a teda šetriť aj životné prostredie. Úspora vzniká tým že pranie prebieha za studena, zatiaľ čo zintenzívnením mechanického pôsobenia a optimalizáciou spotreby vody je aj napriek nízkej teplote dosiahnutý požadovaný výsledok. Táto možnosť je vhodná na pranie mierne znečisteného prádla. Odporúča sa použitie tekutého pracieho prostriedku.

Pracie prostriedky a prádlo

SK

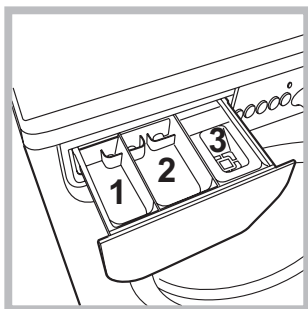
Dávkovač pracích prostriedkov

Dobry výsledok prania závisí aj od správneho dávkovania pracieho prostriedku: použitie nadmerného množstva znižuje efektívnosť prania a napomáha tvorbe vodného kameňa na vnútorných častiach práčky a zvyšuje znečistenie životného prostredia.

! Nepoužívajte pracie prostriedky určené na pranie v rukách, pretože spôsobujú tvorbu nadmerného množstva peny.

! Používajte práškové pracie prostriedky pre biele bavlnené prádlo a pre predpieranie a pre pranie pri teplote vyššej ako 60 °C.

! Dodržujte pokyny uvedené na obale pracieho prostriedku.



Pri vyťahovaní dávkovača pracích prostriedkov a pri jeho plnení pracími alebo prídavnými prostriedkami postupujte nasledovne.

priehradka 1: Prací prostriedok na predpieranie (práškový)

priehradka 2: Prací prostriedok na pranie (práškový alebo tekutý)

Tekutý prací prostriedok sa nalieva len tesne pred zahájením pracieho cyklu.

priehradka 3: Prídavné prostriedky (aviváž, atď.)

Aviváž nesmie vytekať z mriežky.

Poznámka: V prípade použitia „pracích tabliet“ sa odporúča vždy dodržiavať pokyny výrobcu.

Príprava prádla

- Roztriedte prádlo podľa:
 - druhu tkaniny / symbolu na visačke.
 - farby: oddel'te farebné prádlo od bieleho.
- Vyprázdňte vrecká a skontrolujte gombíky.
- Neprekračujte hodnoty povolenej náplne uvedenej v „Tabuľka pracích programov“, vz'tahujúce sa na hmotnosť suchého prádla:

Koľko váži prádlo?

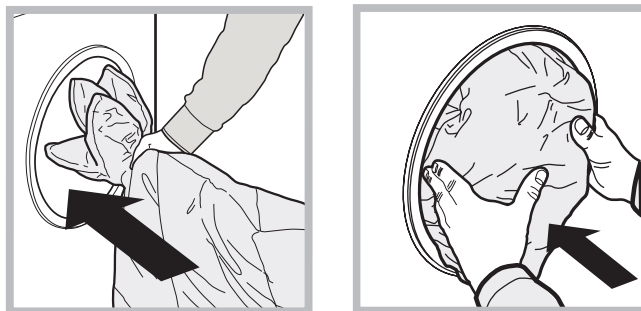
- 1 plachta 400-500 g
- 1 obliečka 150-200 g
- 1 obrus 400-500 g
- 1 župan 900-1.200 g
- 1 uterák 150-250 g

Prádlo vyžadujúce osobitnú starostlivosť

Športový odev: cyklus vhodný pre spoločné pranie športového prádla, vrátane uteráka z telocvične, s ohľadom na vlákna (vychádzajte z pokynov uvedených na visačkách na oblečenie).

Detský program: cyklus, ktorý bol navrhnutý pre typické znečistenie detského oblečenia i pre účinné odstránenie prípadných stôp zvyšného pracieho prostriedku.

Prádlo plnené perím: na pranie prádla plneného husacím perím, ako napríklad samostatné periny (nepresahujúce hmotnosť 1,5 kg), hlavnice, vetrovky, používajte príslušný program 11. Odporúča sa vkladať periny do bubna tak, že sa ich obidva okraje zložia smerom dovnútra (viď obrázky) a nesmiete pritom prekročiť ¼ celkový objem samotného bubna. Za účelom optimálneho prania sa odporúča použiť tekutý prací prostriedok a dávkovať ho prostredníctvom dávkovača pracích prostriedkov.



Vlna: S programom 12 je možné prať v práčke všetky druhy vlneného prádla, aj tie, ktoré sú označené visačkou „prať len v rukách“ . Pre dosiahnutie optimálnych výsledkov používajte špecifický prací prostriedok a neprekračujte náplň 1 kg.

Hodváb: použite príslušný program 13 na pranie všetkého prádla z hodvábu. Odporúča sa použitie pracieho prostriedku pre chúlolistivé prádlo.

Záclony: odporúča sa ich poskladať a vložiť do sáčku dodaného v rámci príslušenstva. Použite program 13.

System automatického vyváženia náplne

Pred každým odstredovaním bubon vykoná otáčanie rýchlosťou o málo prevyšujúcou rýchlosť prania, aby sa tak odstránili vibrácie a aby sa náplň rovnomerne rozložila. V prípade, že po niekoľko násobných pokusoch o vyváženie prádlo ešte nebude správne vyvážené, zariadenie vykoná odstredovanie nižšou rýchlosťou, ako je prednastavená rýchlosť. Ak je práčka nadmerne nevyvážená, vykoná namiesto odstredovania vyváženie. Za účelom dosiahnutia rovnomernejšieho rozloženia náplne a jej správneho vyváženia, odporúča sa pomiešať veľké a malé kusy prádla.

Môže sa stať, že práčka nebude fungovať. Skôr, ako zatelefonujete na Servisnú službu *vid' „Servisná služba“*) skontrolujte, či sa nejedná o problém ľahko odstrániteľný pomocou nasledujúceho zoznamu.

Poruchy:

Možné príčiny / Spôsob ich odstránenia:

Pračku nie je možné zapnúť.

- Zástrčka nie je zasunutá v elektrickej zásuvke, alebo nie je zasunutá dostatočne, aby došlo k spojeniu kontaktov.
- V celom dome je vypnutý prúd.

Nedochádza k zahájeniu pracovného cyklu.

- Nie sú riadne zatvorené dverka.
- Nebolo stlačené tlačidlo ON/OFF.
- Nebolo stlačené tlačidlo START/PAUSE.
- Nebol otvorený kohútik prívodu vody.
- Bol nastavený oneskorený štart (*vid' „Užívateľské nastavenia“*).

Do práčky nie je napúšťaná voda (Na displeji je zobrazený blikajúci nápis „H2O“).

- Prítoková hadica nie je pripojená k vodovodnému kohútiku.
- Hadica je príliš ohnutá.
- Nebol otvorený kohútik prívodu vody.
- V celom dome je uzatvorený prívod vody.
- V rozvode vody nie je dostatočný tlak.
- Nebolo stlačené tlačidlo START/PAUSE.

Práčka nepretržite napúšťa a odčerpáva vodu.

- Vypúšťacia hadica sa nachádza mimo určeného rozmedzia od 65 do 100 cm nad zemou (*vid' „Inštalácia“*).
 - Koncová časť vypúšťacej hadice je ponorená vo vode (*vid' „Inštalácia“*).
 - Odpadové potrubie v stene nie je vybavené odvodňovacím otvorom.
- Ak po týchto kontrolách nedôjde k odstráneniu problému, zatvorte vodovodný kohútik, vypnite práčku a zavolajte Servisnú službu. V prípade, že sa byt nachádza na jednom z najvyšších poschodí je možné, že dochádza k sifónovému efektu, následkom ktorého práčka nepretržite napúšťa a odčerpáva vodu. Na odstránenie uvedeného efektu sú v predaji bežne dostupné špeciálne „protisifónové“ ventily.

Práčka neodčerpáva vodu alebo neodstredzuje.

- Odčerpanie vody netvorí súčasť nastaveného programu: pri niektorých programoch je potrebné aktivovať ho manuálne.
- Vypúšťacia hadica je ohnutá (*vid' „Inštalácia“*).
- Odpadové potrubie je upchaté.

Práčka vo fáze odstredovania veľmi vibruje.

- Počas inštalácie nebol bubon odistený predpísaným spôsobom (*vid' „Inštalácia“*).
- Práčka nie je dokonale vyrovnaná do vodorovnej polohy (*vid' „Inštalácia“*).
- Zariadenie je stlačené medzi nábytkom a stenou (*vid' „Inštalácia“*).

Z práčky uniká voda.

- Prítoková hadica nie je správne zaskrutkovaná (*vid' „Inštalácia“*).
- Dávkovač pracích prostriedkov je upchatý (spôsob jeho vyčistenia je uvedený v časti *„Údržba a starostlivosť“*).
- Vypúšťacia hadica nie je dobre pripevnená (*vid' „Inštalácia“*).

Kontrolky „voliteľné funkcie“ a kontrolka „štart/pauza“ blikajú a jedna z kontroliek „prebiehajúca fáza“ a „ZABLOKOVANIA DVIEROK“ sa rozsvieti stálym svetlom.

- Vypnite zariadenie a vytiahnite zástrčku zo zásuvky, vyčkajte 1 minútu a opätovne ho zapnite.
- Ak porucha pretrváva, obráťte sa na Servisnú službu.

Dochádza k tvorbe nadmerného množstva peny.

- Použitý prací prostriedok nie je vhodný na použitie v automatickej práčke (musí obsahovať označenie „pre pranie v práčke“, „pre pranie v rukách alebo v práčke“ alebo podobné označenie).
- Bolo použité jeho nadmerné množstvo.

Servisná služba

SK

Pred obrátením sa na Servisnú službu:

- Skontrolujte, či nie ste schopní poruchu odstrániť sami (vid' „Poruchy a spôsob ich odstránenia“);
- Opätovne uveďte do chodu prací program, s cieľom overiť, či bola porucha odstránená;
- V opačnom prípade sa obráťte na Centrum servisnej služby, na telefónnom čísle uvedenom na záručnom liste.

! Nikdy sa neobracajte so žiadosťou o pomoc na technikov, ktorí nie sú na vykonávanie tejto činnosti oprávnení.

Pri hlásení poruchy uveďte:

- druh poruchy;
- model zariadenia (Mod.);
- výrobné číslo (S/N).

Tieto informácie sú uvedené na štítku aplikovanom na zadnej časti práčky a v jej prednej časti, dostupnej po otvorení dvierok.

DELEGOVANÉ NARIADENIE KOMISIE (EÚ) č. 1061/2010	
Značka	INDESIT
Model	EWD 61052 W EU/1
Menovitá kapacita bavlnenej látky v kg	6
Trieda energetickej účinnosti na stupnici A+++ (najnižšia spotreba) až G (vysoká spotreba)	A+++
Ročná spotreba energie v kWh ¹⁾	173
Spotreba energie štandardného programu na bavlnu pre pranie pri 60 °C s celou náplňou v kWh ²⁾	0.907
Spotreba energie štandardného programu na bavlnu pre pranie pri 60 °C s polovičnou náplňou v kWh ²⁾	0.668
Spotreba energie štandardného programu na bavlnu pre pranie pri 40 °C s polovičnou náplňou v kWh ²⁾	0.584
Vážená spotreba energie vo vypnutom stave vo W	0.5
Vážená spotreba energie v režime ponechania v zapnutom stave vo W	8
Ročná spotreba vody v litroch ³⁾	8400
Trieda účinnosti sušenia odstredovaním na stupnici od G (najmenšia účinnosť) do A (najvyššia účinnosť)	C
Maximálne otáčky pri odstredovaní ⁴⁾	1000
Zostatkový obsah vlhkosti v % ⁵⁾	62.0%
Trvanie „štandardného programu na bavlnu pre pranie pri 60 °C“ s celou náplňou v minútach.	240
Trvanie „štandardného programu na bavlnu pre pranie pri 60 °C“ s polovičnou náplňou v minútach.	190
Trvanie „štandardného programu na bavlnu pre pranie pri 40 °C“ s polovičnou náplňou v minútach.	185
Trvanie režimu ponechania v zapnutom stave v minútach	30
Emisia hluku v dB(A) re 1 pW počas prania ⁶⁾	60
Emisia hluku v dB(A) re 1 pW počas odstredovania ⁶⁾	80
Vstavaný spotrebič	

¹⁾ Štandardný program na bavlnu pre pranie pri 60 °C s celou náplňou a polovičnou náplňou a štandardný program na bavlnu pre pranie pri 40°C s polovičnou náplňou sú štandardné prací programy, na ktoré sa vzťahujú informácie uvedené na energetickom štítku a v informačnom liste. Tieto programy sú vhodné na pranie bežne znečistenej bavlnenej bielizne a jedná sa o najúčinnšie programy z hľadiska kombinovanej spotreby energie a vody.

²⁾ Na základe 220 štandardných prací cyklov s programami na bavlnu pre pranie pri 60 °C a 40 °C s celou a polovičnou náplňou a spotreba v režimoch s nízkou spotrebou energie. Skutočná spotreba energie bude závisieť na tom, ako je spotrebič používaný.

³⁾ Na základe 220 štandardných prací cyklov s programami na bavlnu pre pranie pri 60 °C a 40 °C s celou a polovičnou náplňou. Skutočná spotreba vody bude závisieť na tom, ako je spotrebič používaný.

⁴⁾ U štandardného programu na bavlnu pre pranie pri 60 °C s celou náplňou alebo u štandardného programu na bavlnu pre pranie pri 40 °C s polovičnou náplňou podľa toho, ktorá hodnota je menšia.

⁵⁾ U štandardného programu na bavlnu pre pranie pri 60 °C s celou náplňou alebo u štandardného programu na bavlnu pre pranie pri 40 °C s polovičnou náplňou podľa toho, ktorá hodnota je väčšia.

⁶⁾ Počas fázy prania a odstredovania u štandardného programu na bavlnu pre pranie pri 60 °C s celou náplňou.

GR

Ελληνικά

EWD 61052

Περιεχόμενα

Εγκατάσταση, 50-51

Αποσυσκευασία και οριζόντιωση
Υδραυλικές και ηλεκτρικές συνδέσεις
Πρώτος κύκλος πλυσίματος
Τεχνικά στοιχεία

Συντήρηση και φροντίδα, 52

Αποκλεισμός νερού και ηλεκτρικού ρεύματος
Καθαρισμός του πλυντηρίου
Καθαρισμός του συρταριού απορρυπαντικών
Φροντίδα της πόρτας και του κάδου
Καθαρισμός της αντλίας
Έλεγχος του σωλήνα τροφοδοσίας του νερού

Προφυλάξεις και συμβουλές, 53

Γενική ασφάλεια
Διάθεση

Περιγραφή του πλυντηρίου και εκκίνηση ενός προγράμματος, 54-55

Πίνακας ελέγχου
Ενδεικτικά φωτάκια
Εκκίνηση ενός προγράμματος

Προγράμματα, 56

Πίνακας των Προγραμμάτων
Ημερήσιοι γρήγοροι κύκλοι

Εξατομικεύσεις, 57

Θέστε τη θερμοκρασία
Θέστε το στύψιμο
Λειτουργίες

Απορρυπαντικά και μπουγάδα, 58

Θήκη απορρυπαντικών
Προετοιμασία της μπουγάδας
Ειδικά ρούχα
Σύστημα ισοστάθμισης του φορτίου

Ανωμαλίες και λύσεις, 59

Υποστήριξη, 60

Εγκατάσταση

GR

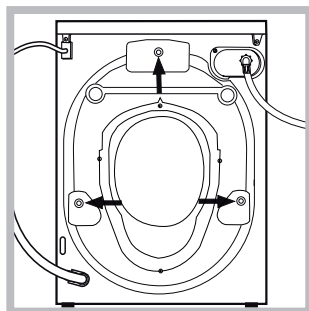
! Είναι σημαντικό να διατηρήσετε το εγχειρίδιο αυτό για να μπορείτε να το συμβουλευέστε οποιαδήποτε στιγμή. Σε περίπτωση πώλησης, παραχώρησης ή μετακόμισης, βεβαιωθείτε ότι παραμένει μαζί με το πλυντήριο για να πληροφορεί τον νέο ιδιοκτήτη για τη λειτουργία και τις σχετικές προειδοποιήσεις.

! Διαβάστε προσεκτικά τις οδηγίες: υπάρχουν σημαντικές πληροφορίες για την εγκατάσταση, τη χρήση και την ασφάλεια.

Αποσυσκευασία και οριζόντιωση

Αποσυσκευασία

1. Αποσυσκευάστε το πλυντήριο.
2. Ελέγξτε αν το πλυντήριο έχει υποστεί ζημιές κατά τη μεταφορά. Αν έχει υποστεί ζημιές μην το συνδέετε και επικοινωνήστε με τον μεταπωλητή.



3. Αφαιρέστε τις 3 βίδες προστασίας για τη μεταφορά και το λαστιχάκι με το σχετικό διαχωριστικό, που βρίσκονται στο πίσω μέρος (βλέπε εικόνα).

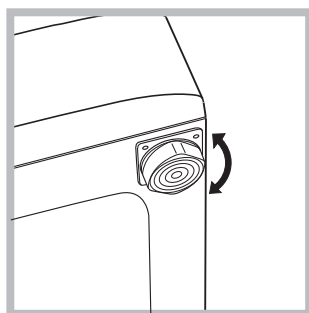
4. Κλείστε τις οπές με τα πλαστικά πώματα που σας παρέχονται.

5. Διατηρείστε και τα τρία τεμάχια: αν το πλυντήριο χρειαστεί να μεταφερθεί, θα πρέπει να ξαναμονταριστούν.

! Οι συσκευασίες δεν είναι παιχνίδια για μικρά παιδιά.

Ευθυγράμμιση

1. Εγκαταστήστε το πλυντήριο σε ένα δάπεδο επίπεδο και ανθεκτικό, χωρίς να το ακουμπήσετε σε τοίχους, έπιπλα ή άλλο.



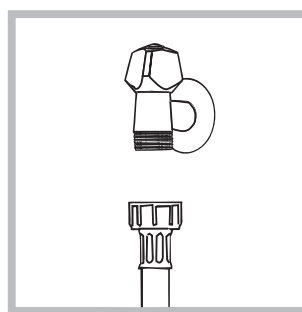
2. Αν το δάπεδο δεν είναι απόλυτα οριζοντιωμένο, αντισταθμίστε τις ανωμαλίες βιδώνοντας ή ξεβιδώνοντας τα πρόσθια ποδαράκια (βλέπε εικόνα). Η γωνία κλίσης, μετρημένη στην επιφάνεια

εργασίας, δεν πρέπει να ξεπερνάει τις 2°.

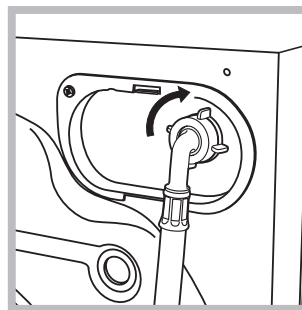
Μια φροντισμένη οριζόντιωση προσδίδει σταθερότητα στη μηχανή και αποσοβεί δονήσεις, θορύβους και μετατοπίσεις κατά τη λειτουργία. Σε περίπτωση μοκέτας ή τάπητα, ρυθμίστε τα ποδαράκια έτσι ώστε να υφίσταται κάτω από το πλυντήριο αρκετός χώρος για τον αερισμό.

Υδραυλικές και ηλεκτρικές συνδέσεις

Σύνδεση του σωλήνα τροφοδοσίας του νερού



1. Συνδέστε το σωλήνα τροφοδοσίας βιδώνοντάς τον σε ένα κρουνού κρούου νερού με στόμιο σπειρώματος 3/4 gas (βλέπε εικόνα). Πριν τη σύνδεση, αφήστε να τρέξει το νερό μέχρι να γίνει διαυγές.



2. Συνδέστε το σωλήνα τροφοδοσίας στο πλυντήριο βιδώνοντάς τον στην αντίστοιχη είσοδο νερού, στο πίσω μέρος επάνω δεξιά (βλέπε εικόνα).

3. Προσέξτε ώστε στο σωλήνα να μην υπάρχουν ούτε πτυχώσεις, ούτε στενώσεις.

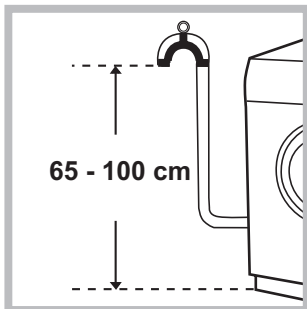
! Η πίεση νερού του κρουνού πρέπει να κυμαίνεται μεταξύ των τιμών του πίνακα Τεχνικά στοιχεία (βλέπε σελίδα δίπλα).

! Αν το μήκος του σωλήνα τροφοδοσίας δεν επαρκεί, απευθυνθείτε σε ένα ειδικευμένο κατάστημα ή σε ένα εξουσιοδοτημένο τεχνικό.

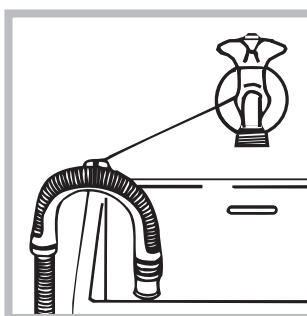
! Μη χρησιμοποιείτε ποτέ χρησιμοποιημένους σωλήνες.

! Χρησιμοποιείτε εκείνους που σας παρέχονται με τη μηχανή.

Σύνδεση του σωλήνα αδειάσματος



Συνδέστε αδειάσματος, χωρίς να τον διπλώσετε, σε έναν αγωγό εκκένωσης ή σε μια επιτοίχια αποχέτευση σε απόσταση από 65 έως 100 cm από το έδαφος.



Διαφορετικά αποθέστε τον στο χείλος ενός νιπτήρα ή μιας λεκάνης, δένοντας τον οδηγό που σας παρέχεται στονκρουνό (βλέπε εικόνα). Το ελεύθερο άκρο του σωλήνα αδειάσματος δεν πρέπει να παραμένει

βυθισμένο στο νερό.

! Δεν συνιστάται η χρήση προεκτάσεων σωλήνων. Αν απαιτείται, η προέκταση πρέπει να έχει την ίδια διάμετρο του αρχικού σωλήνα και να μην ξεπερνάει τα 150 cm.

Ηλεκτρική σύνδεση

Πριν εισάγετε το βύσμα στην ηλεκτρική πρίζα, βεβαιωθείτε ότι:

- η πρίζα διαθέτει γείωση και τηρεί τις εκ του νόμου προδιαγραφές.
- Η πρίζα να είναι σε θέση να υποφέρει το μέγιστο φορτίο ισχύος της μηχανής, που αναφέρεται στον πίνακα Τεχνικών στοιχείων (βλέπε δίπλα).
- Η τάση τροφοδοσίας να κυμαίνεται μεταξύ των τιμών που αναφέρονται στον πίνακα Τεχνικών στοιχείων (βλέπε δίπλα).
- Η πρίζα να είναι συμβατή με το βύσμα του πλυντηρίου. Σε αντίθετη περίπτωση, αντικαταστήστε την πρίζα ή το βύσμα.

! Το πλυντήριο δεν εγκαθίσταται σε ανοιχτό χώρο, ακόμη και αν ο χώρος είναι καλυμμένος, διότι είναι πολύ επικίνδυνο να το αφήνετε εκτεθειμένο σε βροχή και κακοκαιρία.

! Με την εγκατάσταση του πλυντηρίου, η πρίζα ρεύματος πρέπει να είναι εύκολα προσβάσιμη.

! Μη χρησιμοποιείτε προεκτάσεις και πολύπριζα.



! Το καλώδιο δεν πρέπει να φέρει πτυχές ή να είναι συμπιεσμένο.

! Το καλώδιο τροφοδοσίας πρέπει να αντικαθίσταται μόνο από εξουσιοδοτημένους τεχνικούς.

Προσοχή! Η επιχείρηση αποποιείται κάθε ευθύνης σε περίπτωση που δεν τηρούνται αυτοί οι κανόνες.

Πρώτος κύκλος πλυσίματος

Μετά την εγκατάσταση, πριν τη χρήση, διενεργήστε ένα κύκλο πλυσίματος με απορρυπαντικό και χωρίς ρούχα θέτοντας το πρόγραμμα 2.

Τεχνικά στοιχεία	
Μοντέλο	EWD 61052
Διαστάσεις	πλάτος cm 59,5 ύψος cm 85 βάθος cm 51,7
Χωρητικότητα	από 1 έως 6 kg
Ηλεκτρικές συνδέσεις	Βλέπε την πινακίδα χαρακτηριστικών επί της μηχανής
Συνδέσεις νερού	μέγιστη πίεση 1 MPa (10 bar) Ελάχιστη πίεση 0,05 MPa (0,5 bar) χωρητικότητα του κάδου 40 λίτρα
Ταχύτητα στυψίματος	μέχρι 1000 στροφές το λεπτό
Προγράμματα ελέγχου σύμφωνα με τις οδηγίες 1061/2010 και 1015/2010	πρόγραμμα 14; Eco βαμβακερά 60°C. πρόγραμμα 14; Eco βαμβακερά 40°C.
 	Η συσκευή αυτή είναι σύμφωνη με τις ακόλουθες Κοινοτικές Οδηγίες: - EMC 2014/30/EU (Ηλεκτρομαγνητική Συμβατότητα) - 2012/19/EU - WEEE - LVD 2014/35/EU (Χαμηλή Τάση)

Συντήρηση και φροντίδα

GR

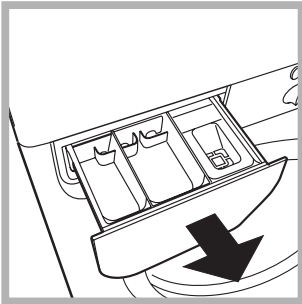
Αποκλεισμός νερού και ηλεκτρικού ρεύματος

- Κλείνετε τον κρουνό του νερού μετά από κάθε πλύσιμο. Έτσι περιορίζεται η φθορά της υδραυλικής εγκατάστασης του πλυντηρίου και αποσοβείται ο κίνδυνος απωλειών.
- Να βγάζετε το βύσμα από το ρεύμα όταν καθαρίζετε το μηχάνημα και κατά τις εργασίες συντήρησης.

Καθαρισμός του πλυντηρίου

Το εξωτερικό μέρος και τα λαστιχένια μέρη μπορούν να καθαρίζονται με ένα πανί βρεγμένο με χλιαρό νερό και σαπούνι. Μη χρησιμοποιείτε διαλύτες ή αποξυστικά.

Καθαρισμός του συρταριού απορρυπαντικών



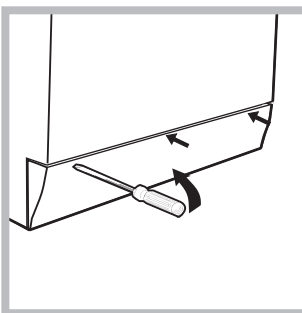
Τραβήξτε το συρτάρι ανασηκώνοντάς το και τραβώντας το προς τα έξω (βλέπε εικόνα). Πλένετέ το κάτω από τρεχούμενο νερό. Ο καθαρισμός αυτός διενεργείται συχνά.

Φροντίδα της πόρτας και του κάδου

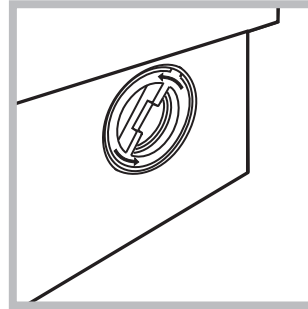
- Να αφήνετε πάντα μισόκλειστη την πόρτα για να μην παράγονται δυσοσμίες.

Καθαρισμός της αντλίας

Το πλυντήριο διαθέτει μια αντλία αυτοκαθαριζόμενη που δεν χρειάζεται συντήρηση. Μπορεί, όμως, να τύχει να πέσουν μικρά αντικείμενα (κέρματα, κουμπιά) στον προθάλαμο που προστατεύει την αντλία, που βρίσκεται στο κάτω μέρος αυτής. **!** Βεβαιωθείτε ότι ο κύκλος πλυσίματος έχει τελειώσει και βγάλτε το βύσμα.



Για να έχετε πρόσβαση στον προθάλαμο:
1. αφαιρέστε το ταμπλό κάλυψης στο πρόσθιο πλευρό του πλυντηρίου με τη βοήθεια ενός κατσαβιδιού (βλέπε εικόνα).



2. Ξεβιδώστε το καπάκι στρέφοντάς το αριστερόστροφα (βλέπε εικόνα): είναι φυσικό να βγαίνει λίγο νερό.

3. καθαρίστε επιμελώς το εσωτερικό.
4. ξαναβιδώστε το καπάκι.
5. ξαναμοντάρετε το πάνελ όντας σίγουροι, πριν το σπρώξετε προς τη μηχανή, ότι έχετε εισάγει τα γαντζάκια στις αντίστοιχες εσοχές.

Έλεγχος του σωλήνα τροφοδοσίας του νερού

Ελέγχετε το σωλήνα τροφοδοσίας τουλάχιστον μια φορά ετησίως. Αν παρουσιάζει σκασίματα και σχισμές αντικαθίσταται: κατά τα πλυσίματα οι ισχυρές πιέσεις θα μπορούσαν να προκαλέσουν αναπάντεχα σπασίματα.

! Μη χρησιμοποιείτε ποτέ χρησιμοποιημένους σωλήνες.

! Το πλυντήριο σχεδιάστηκε και κατασκευάστηκε σύμφωνα με τους διεθνείς κανόνες ασφαλείας. Αυτές οι προειδοποιήσεις παρέχονται για λόγους ασφαλείας και πρέπει να διαβάζονται προσεκτικά.

Γενική ασφάλεια

- Η συσκευή αυτή σχεδιάστηκε αποκλειστικά για οικιακή χρήση.
- Η συσκευή αυτή μπορεί να χρησιμοποιηθεί από παιδιά άνω των 8 ετών και από άτομα με μειωμένες φυσικές, αισθητηριακές ή νοητικές ικανότητες ή με εμπειρία και γνώσεις ανεπαρκείς, αν επιτηρούνται ή αν έχουν δεχτεί κατάλληλη εκπαίδευση σχετικά με τη χρήση της συσκευής με τρόπο ασφαλή και κατανοώντας τους σχετικούς κινδύνους. Τα παιδιά δεν πρέπει να παίζουν με τη συσκευή. Συντήρηση και καθαρισμός δεν πρέπει να διενεργούνται από παιδιά χωρίς επιτήρηση.
- Μην αγγίζετε το μηχάνημα με γυμνά πόδια ή με τα χέρια ή τα πόδια βρεγμένα.
- Μην βγάζετε το βύσμα από την ηλεκτρική πρίζα τραβώντας το καλώδιο, αλλά να πιάνετε την πρίζα.
- Μην ανοίγετε το συρταράκι απορρυπαντικών ενώ το μηχάνημα είναι σε λειτουργία.
- Μην αγγίζετε το νερό αδειάσματος, αφού μπορεί να φτάσει σε υψηλές θερμοκρασίες.
- Μην ζορίζετε σε καμία περίπτωση την πόρτα: θα μπορούσε να χαλάσει ο μηχανισμός ασφαλείας που προστατεύει από τυχαία ανοίγματα.
- Σε περίπτωση βλάβης, σε καμία περίπτωση να μην επεμβαίνετε στους εσωτερικούς μηχανισμούς προσπαθώντας να την επισκευάσετε.
- Να ελέγχετε πάντα τα παιδιά να μην πλησιάζουν στο μηχάνημα σε λειτουργία.
- Κατά το πλύσιμο η πόρτα τείνει να θερμαίνεται.
- Αν πρέπει να μετατοπιστεί, συνεργαστείτε δύο ή τρία άτομα με τη μέγιστη προσοχή. Ποτέ μόνοι σας γιατί το μηχάνημα είναι πολύ βαρύ.
- Πριν εισάγετε τη μπουγάδα ελέγξτε αν ο κάδος είναι άδειος.

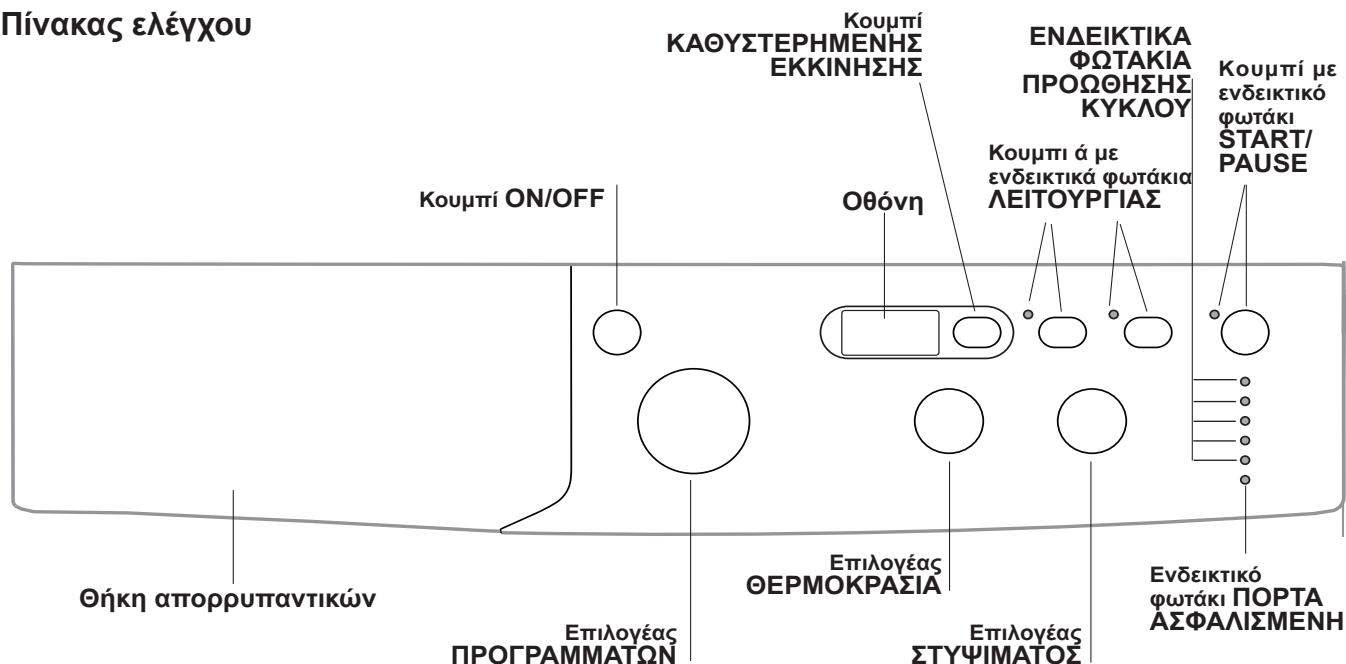
Διάθεση

- Διάθεση του υλικού συσκευασίας: τηρείτε τους τοπικούς κανονισμούς, ώστε οι συσκευασίες να μπορούν να επαναχρησιμοποιηθούν.
- Η ευρωπαϊκή οδηγία 2012/19/EU - WEEE για τα Απόβλητα Ηλεκτρικού και Ηλεκτρονικού Εξοπλισμού, απαιτεί ότι οι παλαιές οικιακές ηλεκτρικές συσκευές δεν πρέπει να αποβάλλονται μαζί με τα υπόλοιπα απόβλητα του δημοτικού δικτύου. Οι παλαιές συσκευές πρέπει να συλλεχθούν χωριστά προκειμένου να βελτιστοποιηθούν η αποκατάσταση και η ανακύκλωση των υλικών που περιέχουν και με σκοπό τη μείωση

των βλαβερών επιπτώσεων στην ανθρώπινη υγεία και το περιβάλλον. Το σύμβολο με το διεγγραμμένο “δοχείο αποβλήτων” στο προϊόν υπενθυμίζει σε σας την υποχρέωσή σας, πως όταν επιθυμείτε να πετάξετε τη συσκευή, πρέπει να συλλεχθεί χωριστά. Οι καταναλωτές θα πρέπει να απευθύνονται στις τοπικές αρχές ή στα καταστήματα λιανικής για πληροφορίες που αφορούν τη σωστή διάθεση των παλαιών ηλεκτρικών συσκευών.

Περιγραφή του πλυντηρίου και εκκίνηση ενός προγράμματος

Πίνακας ελέγχου



Θήκη απορρυπαντικών: για την προσθήκη απορρυπαντικών και πρόσθετων (βλέπε «Απορρυπαντικά και μπουγάδα»).

Κουμπι ON/OFF: Για να ανάψετε ή να σβήσετε το πλυντήριο.


Επιλογέας ΠΡΟΓΡΑΜΜΑΤΩΝ: για να θέσετε τα προγράμματα. Κατά τη διάρκεια του προγράμματος ο επιλογέας παραμένει ακίνητος.

Κουμπι ά με ενδεικτικά φωτάκια ΛΕΙΤΟΥΡΓΙΑΣ: για να επιλέξετε τις διαθέσιμες λειτουργίες. Το σχετικό με την επιλεγείσα λειτουργία ενδεικτικό φωτάκι θα παραμείνει αναμμένο.

Επιλογέας ΣΤΥΨΙΜΑΤΟΣ: για να θέσετε το στύψιμο ή να το αποκλείσετε (βλέπε «Εξατομικεύσεις»).

Επιλογέας ΘΕΡΜΟΚΡΑΣΙΑ: για να θέσετε τη θερμοκρασία ή το πλύσιμο σε κρύο νερό (βλέπε «Εξατομικεύσεις»).


Οθόνη: για την απεικόνιση της διάρκειας των διαφόρων διαθέσιμων προγραμμάτων και αφού έχει εκκινηθεί ο κύκλος, του υπολειπόμενου χρόνου για το τέλος αυτού. Στην περίπτωση που έχει τεθεί μια **ΚΑΘΥΣΤΕΡΗΜΕΝΗ ΕΚΚΙΝΗΣΗ**, απεικονίζεται ο χρόνος που υπολείπεται στην εκκίνηση του επιλεγμένου προγράμματος.

Κουμπι ΚΑΘΥΣΤΕΡΗΜΕΝΗΣ ΕΚΚΙΝΗΣΗΣ : Πατήστε για να θέσετε μια εκκίνηση με υστέρηση του προεπιλεγμένου προγράμματος. Η υστέρηση εμφανίζεται στην οθόνη.

ΕΝΔΕΙΚΤΙΚΑ ΦΩΤΑΚΙΑ ΠΡΟΩΘΗΣΗΣ ΚΥΚΛΟΥ: για να ακολουθείτε την κατάσταση προόδου του προγράμματος πλύσιματος. Το αναμμένο ενδεικτικό φωτάκι δείχνει την σε εξέλιξη φάση.

Ενδεικτικό φωτάκι ΠΟΡΤΑ ΑΣΦΑΛΙΣΜΕΝΗ: για να καταλάβετε αν η πόρτα ανοίγει (βλέπε σελίδα δίπλα).

Κουμπι με ενδεικτικό φωτάκι START/PAUSE: για την εκκίνηση των προγραμμάτων ή την προσωρινή διακοπή τους.

ΣΗΜΕΙΩΣΗ: για να θέσετε σε παύση το σε εξέλιξη πλύσιμο, πιέστε το κουμπι αυτό, το σχετικό ενδεικτικό φωτάκι θα ανάψει με πορτοκαλί χρώμα ενώ εκείνο της σε εξέλιξης φάσης θα είναι συνεχώς αναμμένο. Αν το ενδεικτικό φωτάκι ΠΟΡΤΑ ΑΣΦΑΛΙΣΜΕΝΗ  σβήσει, μπορείτε να ανοίξετε την πόρτα (περιμένετε 3 λεπτά περίπου). Για να ξεκινήσει πάλι το πλύσιμο από το σημείο διακοπής, πατήστε εκ νέου το κουμπι αυτό.

Τρόπος stand by

Το πλυντήριο αυτό, σύμφωνα με τις νέες διατάξεις για την εξοικονόμηση ενέργειας, διαθέτει ένα σύστημα αυτόματου σβησίματος (stand by) που τίθεται σε λειτουργία εντός 30 λεπτών στην περίπτωση μη χρήσης. Πιέστε στιγμιαία το κουμπι ON/OFF και περιμένετε να ενεργοποιηθεί εκ νέου η μηχανή.


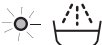


Ενδεικτικά φωτάκια

Τα ενδεικτικά φωτάκια παρέχουν σημαντικές πληροφορίες.

Να τι μας λένε:

Ενδεικτικά φωτάκι φάσης σε εξέλιξη

Κατά τον επιθυμητό κύκλο πλυσίματος, τα ενδεικτικά φωτάκια θα ανάψουν προοδευτικά για να δείξουν την κατάσταση προώθησης:

Πλύσιμο	● 
Ξέβγαλμα	● 
Στύψιμο	● 
Άδειασμα	● 
Τέλος Πλυσίματος	● END

Κουμπιά λειτουργίας και σχετικά ενδεικτικά φωτάκια

Επιλέγοντας μια λειτουργία το σχετικό ενδεικτικό φωτάκι θα φωτιστεί.


Αν η επιλεγμένη λειτουργία δεν είναι συμβατή με το τεθέν πρόγραμμα το σχετικό ενδεικτικό φωτάκι θα αναβοσβήνει και η λειτουργία δεν θα ενεργοποιηθεί.

Αν η επιλεγμένη λειτουργία δεν είναι συμβατή με μια άλλη που επελέγη προηγουμένως, το σχετικό φωτάκι της πρώτης επιλεγμένης λειτουργίας θα αναβοσβήνει και θα ενεργοποιηθεί μόνο η δεύτερη, το ενδεικτικό φωτάκι της ενεργοποιηθείσας λειτουργίας θα φωτιστεί.

Ενδεικτικό φωτάκι ασφαλισμένης πόρτας

Το αναμμένο ενδεικτικό φωτάκι δείχνει ότι η πόρτα είναι μπλοκαρισμένη για να αποφευχθεί το άνοιγμα. Για να ανοίξετε την πόρτα πρέπει το ενδεικτικό φωτάκι να είναι σβηστό (περιμένετε 3 λεπτά περίπου). Για να ανοίξετε την πόρτα ενώ είναι σε εξέλιξη ένας κύκλος πιάστε το κουμπί START/PAUSE. Αν το ενδεικτικό φωτάκι ΠΟΡΤΑ ΑΣΦΑΛΙΣΜΕΝΗ είναι σβηστό μπορείτε να ανοίξετε την πόρτα.

Εκκίνηση ενός προγράμματος

1. Ανάψτε το πλυντήριο πιέζοντας το κουμπί ON/OFF. Όλα τα ενδεικτικά φωτάκια θα ανάψουν μερικά δευτερόλεπτα, μετά θα σβήσουν και θα πάλλεται το ενδεικτικό φωτάκι START/PAUSE.
2. Φορτώστε τη μπουγάδα και κλείστε την πόρτα.
3. Θέστε με τον επιλογέα ΠΡΟΓΡΑΜΜΑΤΩΝ το επιθυμητό πρόγραμμα.
4. Θέστε τη θερμοκρασία πλυσίματος (βλέπε «Εξατομικεύσεις»).
5. Θέστε την ταχύτητα στύψιματος (βλέπε «Εξατομικεύσεις»).
6. Χύστε απορρυπαντικό και πρόσθετα (βλέπε «Απορρυπαντικά και μπουγάδα»).
7. Επιλέξτε τις διαθέσιμες λειτουργίες.
8. Εκκινήστε το πρόγραμμα πιέζοντας το κουμπί START/PAUSE και το σχετικό ενδεικτικό φωτάκι θα παραμείνει αναμμένο συνεχώς με πράσινο χρώμα. Για να ακυρώσετε τον τεθέντα κύκλο θέστε τη μηχανή σε παύση πιέζοντας το κουμπί START/PAUSE και επιλέξτε ένα νέο κύκλο.
9. Στο τέλος του προγράμματος θα φωτιστεί το ενδεικτικό φωτάκι END. Όταν η ενδεικτική λυχνία ΠΟΡΤΑ ΑΣΦΑΛΙΣΜΕΝΗ  σβήσει μπορείτε να ανοίξετε την πόρτα (περιμένετε 3 λεπτά περίπου). Βγάλτε τη μπουγάδα και αφήστε την πόρτα μισόκλειστη για να στεγνώσει ο κάδος. Σβήστε το πλυντήριο πιέζοντας το κουμπί ON/OFF.

Προγράμματα

GR

Πίνακας των Προγραμμάτων

Προγράμματα	Περιγραφή του Προγράμματος	Μέγιστη θερμοκρασία (°C)	Μέγιστη ταχύτητα (στροφές ανά λεπτό)	Απορρυπαντικά			Μέγιστο Φορτίο (kg)	Υπολειπόμενη υγρασία %	Κατανάλωση ενέργειας kWh	Συνολικό νερό lt	Διάρκεια κύκλου
				Προπ-λυση	Πλύσιμο	Μαλακτικό					
EVERYDAY FAST											
1	Mix Χρωματιστών 59'	40°	1000	-	●	●	6	-	-	-	59'
2	Βαμβακερά 59'	60°	1000	-	●	●	6	-	-	-	59'
3	Συνθετικά 59'	30°	1000	-	●	●	3	-	-	-	59'
4	Καθημερινά 45'	40°	1000	-	●	●	3	-	-	-	45'
5	Mix 30'	30°	800	-	●	●	3	70	0.17	31	30'
Special&Partial											
6	Αθλητική ένδυση	40°	600	-	●	●	3	-	-	-	**
7	Λευκά: Λευκά και χρωματιστά ανθεκτικά, πολύ λερωμένα.	60° (Max.90°)	1000	●+90°	●	●	6	-	-	-	**
8	Μωρουδιακά	40°	800	-	●	●	2	-	-	-	**
9	Ξέβγαλμα	-	1000	-	-	●	6	-	-	-	**
10	Στύψιμο + Άντληση	-	1000	-	-	-	6	-	-	-	**
10	Μόνο άδειασμα *	-	⊘	-	-	-	6	-	-	-	**
Dedicated											
11	Παπλώματα: Για ρούχα με εσωτερική επένδυση πουπουλων χήνας.	30°	1000	-	●	●	1.5	-	-	-	**
12	Μάλλινα: Για μάλλινα, cachemire, κλπ.	40°	800	-	●	●	1	-	-	-	**
13	Μεταξωτά/ Κουρτίνες: Για μεταξωτά ρούχα, βισκόζη, λινά.	30°	0	-	●	●	1	-	-	-	**
14	Εco βαμβακερά 60°C (1): Λευκά και χρωματιστά ανθεκτικά, πολύ λερωμένα.	60°	1000	-	●	●	6	62	0.90	50.0	240'
14	Εco βαμβακερά 40°C (2): Λευκά λίγο λερωμένα και ευαίσθητα χρώματα.	40°	1000	-	●	●	6	62	0.97	63	230'
15	βαμβακερά (3): Λευκά λίγο λερωμένα και ευαίσθητα χρώματα.	40° (Max.60°)	1000	-	●	●	6	62	0.97	63	230'
16	Συνθετικά (4): Χρωματιστά ανθεκτικά, πολύ λερωμένα.	40° (Max.60°)	1000	-	●	●	3	44	0.68	45	115'

* Επιλέγοντας το πρόγραμμα 10 και αποκλείοντας τη φυγοκέντρωση η συσκευή θα εκτελέσει μόνο το άδειασμα.

** Μπορείτε να ελέγξετε τη διάρκεια των προγραμμάτων πλυσίματος στην οθόνη.

Η διάρκεια του κύκλου που φαίνεται στην οθόνη ή στο εγχειρίδιο αποτελεί μια εκτίμηση υπολογισμένη με βάση τις ετικέτες των ρούχων. Ο πραγματικός χρόνος μπορεί να ποικίλει με βάση πολυάριθμους παράγοντες όπως θερμοκρασία και πίεση του εισερχόμενου νερού, θερμοκρασία περιβάλλοντος, ποσότητα απορρυπαντικού, ποσότητα και τύπος φορτίου, ισοστάθμιση του φορτίου, πρόσθετες επιλεγμένες δυνατότητες.

1) Πρόγραμμα ελέγχου σύμφωνα με την προδιαγραφή 1061/2010: θέστε το πρόγραμμα 14 σε μια θερμοκρασία 60°C.

Ο κύκλος αυτός είναι κατάλληλος για τον καθαρισμό φορτίου βαμβακερών με συνηθισμένη βρωμιά και είναι ο πλέον αποτελεσματικός σε όρους κατανάλωσης ενέργειας και νερού, προς χρήση σε ρούχα πλενόμενα στους 60°C. Η πραγματική θερμοκρασία πλυσίματος μπορεί να διαφέρει από την υποδεικνυόμενη.

2) Πρόγραμμα ελέγχου σύμφωνα με την προδιαγραφή 1061/2010: θέστε το πρόγραμμα 14 σε μια θερμοκρασία 40°C.

Ο κύκλος αυτός είναι κατάλληλος για τον καθαρισμό φορτίου βαμβακερών με συνηθισμένη βρωμιά και είναι ο πλέον αποτελεσματικός σε όρους κατανάλωσης ενέργειας και νερού, προς χρήση σε ρούχα πλενόμενα στους 40°C. Η πραγματική θερμοκρασία πλυσίματος μπορεί να διαφέρει από την υποδεικνυόμενη.

Για όλα τα Test Institutes:

3) Πρόγραμμα βαμβακερών μακρύ: θέστε το πρόγραμμα 15 σε μια θερμοκρασία 40°C.

4) Πρόγραμμα συνθετικών μεγάλης διάρκειας: θέστε το πρόγραμμα 16 σε μια θερμοκρασία 40°C.

Ημερήσιοι γρήγοροι κύκλοι

Ένα πλήρες σετ γρήγορων προγραμμάτων για πλύσιμο και με πλήρες φορτίο των πιο κοινών υφασμάτων και την απομάκρυνση της πιο συνηθισμένης καθημερινής βρωμιάς, σε λιγότερο από 1 ώρα.

Mix Χρωματιστών 59': για πλύσιμο ανάμικτων και χρωματιστών ρούχων.

Βαμβακερά 59': κύκλος σχεδιασμένος για πλύσιμο βαμβακερών, κυρίως λευκών. Μπορεί να χρησιμοποιηθεί και με απορρυπαντικό σε σκόνη.

Συνθετικά 59': ειδικά για το πλύσιμο συνθετικών ρούχων. Παρουσία ανθεκτικής βρωμιάς μπορείτε να αυξήσετε τη θερμοκρασία μέχρι τους 60° και να χρησιμοποιήσετε και απορρυπαντικό σε σκόνη.

Καθημερινά 45': σύντομος κύκλος σχεδιασμένος για το πλύσιμο ευαίσθητων βαμβακερών.

Mix 30': σύντομος κύκλος σχεδιασμένος για το πλύσιμο ανάμικτου φορτίου βαμβακερών και συνθετικών υφασμάτων, λευκών και χρωματιστών μαζί.

Θέστε τη θερμοκρασία

Στρέφοντας τον επιλογέα ΘΕΡΜΟΚΡΑΣΙΑ τίθεται η θερμοκρασία πλυσίματος (βλέπε Πίνακα προγραμμάτων).

Η θερμοκρασία μπορεί να μειωθεί μέχρι το πλύσιμο σε κρύο νερό ❄.

Το μηχάνημα θα παρεμποδίσει αυτόματα τη θέση θερμοκρασίας μεγαλύτερης της μέγιστης προβλεπόμενης για κάθε πρόγραμμα.

! Εξαίρεση: επιλέγοντας το πρόγραμμα **7** η θερμοκρασία μπορεί να αυξηθεί μέχρι 90°.

! Εξαίρεση: επιλέγοντας το πρόγραμμα **15** η θερμοκρασία μπορεί να αυξηθεί μέχρι 60°.

! Εξαίρεση: επιλέγοντας το πρόγραμμα **16** η θερμοκρασία μπορεί να αυξηθεί μέχρι 60°.

Θέστε το στύψιμο

Στρέφοντας τον επιλογέα ΣΤΥΨΙΜΟ τίθεται η ταχύτητα στυψίματος του επιλεγμένου προγράμματος.

Οι μέγιστες προβλεπόμενες ταχύτητες για τα προγράμματα είναι:

Προγράμματα	Μέγιστη ταχύτητα
Βαμβακερά	1000 στροφές ανά λεπτό
Συνθετικά	1000 στροφές ανά λεπτό
Μάλλινα	800 στροφές ανά λεπτό

Η ταχύτητα στυψίματος μπορεί να ελαττωθεί ή να αποκλειστεί επιλέγοντας το σύμβολο .

Το μηχάνημα θα παρεμποδίσει αυτόματα τη διενέργεια στυψίματος μεγαλύτερου του μέγιστου προβλεπόμενου για κάθε πρόγραμμα.

Λειτουργίες

Οι διάφορες λειτουργίες πλυσίματος που προβλέπονται από το πλυντήριο επιτρέπουν την επίτευξη του καθαρισμού και του λευκού που επιθυμείτε.

Για την ενεργοποίηση των λειτουργιών:


1. πιέστε το πλήκτρο το σχετικό με την επιλεγμένη λειτουργία.
2. Το άναμμα του ενδεικτικού φωτός επισημαίνει ότι η λειτουργία είναι ενεργή.

Παρατήρηση:


- Αν η επιλεγμένη λειτουργία δεν είναι συμβατή με το τεθέν πρόγραμμα το σχετικό ενδεικτικό φωτάκι θα αναβοσβήνει και η λειτουργία δεν θα ενεργοποιηθεί.

- Αν η επιλεγμένη λειτουργία δεν είναι συμβατή με μια άλλη που επελέγη προηγουμένως, το σχετικό φωτάκι της πρώτης επιλεγμένης λειτουργίας θα αναβοσβήνει και θα ενεργοποιηθεί μόνο η δεύτερη, το ενδεικτικό φωτάκι της ενεργοποιηθείσας λειτουργίας θα φωτιστεί.


Καθυστερημένη εκκίνηση

Για να θέσετε την εκκίνηση με υστέρηση του προεπιλεγμένου προγράμματος, πατήστε το σχετικό κουμπί μέχρι να επιτευχθεί ο χρόνος της επιθυμητής υστέρησης. Όταν η δυνατότητα αυτή είναι ενεργή, στην οθόνη φωτίζεται το σύμβολο . Για να απαλείψετε την εκκίνηση με υστέρηση πατήστε το κουμπί μέχρις ότου εμφανιστεί στην οθόνη η ένδειξη "OFF".

Extra Wash

Για ρούχα πολύ βρώμικα ενεργοποιήστε τη δυνατότητα Extra Wash , όπου είναι αυτή συμβατή. Πατώντας τη δυνατότητα αυτή ο κύκλος αναπροσαρμόζει αυτόματα όλες τις παραμέτρους πλύσης σε ένα κύκλο μεγαλύτερης διάρκειας. Η δυνατότητα αυτή αφήνει πάντα αναλλοίωτη τη θερμοκρασία ενώ το στύψιμο επαναφέρεται αυτόματα στα μέγιστα επίπεδα. Ο καταναλωτής μπορεί πάντα να ρυθμίζει εκ νέου το στύψιμο στην επιθυμητή τιμή.

Energy Saver

Η δυνατότητα Energy Saver  σου επιτρέπει να πλύνεις βαμβακερά ρούχα και συνθετικά εξοικονομώντας ενέργεια και συνεπώς προστατεύοντας το περιβάλλον. Η εξοικονόμηση παράγεται από το πλύσιμο που διενεργείται εν ψυχρώ ενώ, μέσω μιας έντονης μηχανικής δράσης και μιας βελτιστοποιημένης χρήσης του νερού, επιτυγχάνεται το επιθυμητό αποτέλεσμα. Ενδείκνυται για ρούχα λίγο λερωμένα. Συνιστάται η χρήση υγρού απορρυπαντικού.

Απορρυπαντικά και μπουγάδα

GR

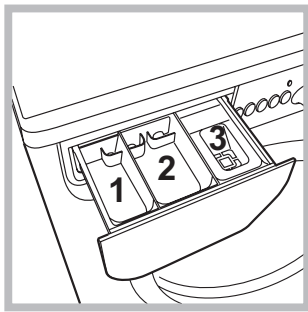
Θήκη απορρυπαντικών

Το καλό αποτέλεσμα του πλυσίματος εξαρτάται επίσης και από τη σωστή δοσολογία του απορρυπαντικού: υπερβάλλοντας δεν πλένουμε αποτελεσματικότερα και συντελούμε στη δημιουργία κρούστας στα εσωτερικά μέρη του πλυντηρίου και στη μόλυνση του περιβάλλοντος.

! Μην χρησιμοποιείτε απορρυπαντικά για πλύσιμο στο χέρι, διότι παράγουν πολύ αφρό.

! Να χρησιμοποιείτε απορρυπαντικά σε σκόνη για ρούχα λευκά βαμβακερά και για την πρόπλυση και για πλυσίματα σε θερμοκρασία μεγαλύτερη των 60°C.

! Ακολουθήστε τις υποδείξεις που αναγράφονται στη συσκευασία του απορρυπαντικού.



Βγάλτε τη θήκη απορρυπαντικών και εισάγετε το απορρυπαντικό ή το πρόσθετο ως εξής.

θήκη 1: Απορρυπαντικό για πρόπλυση (σε σκόνη)

θήκη 2: Απορρυπαντικό για πλύσιμο (σε σκόνη ή υγρό)

Το υγρό απορρυπαντικό χύνεται μόνο πριν την εκκίνηση.

θήκη 3: Πρόσθετα (μαλακτικό, κλπ.)

Το μαλακτικό δεν πρέπει να διαφεύγει από το πλέγμα.

Σημείωση: Σε περίπτωση χρήσης «απορρυπαντικού σε δισκία» συστήνεται να εφαρμόζετε πάντα τις υποδείξεις του παραγωγού.

Προετοιμασία της μπουγάδας

- Χωρίστε τη μπουγάδα ανάλογα:
 - με το είδος του υφάσματος/ το σύμβολο της ετικέτας.
 - τα χρώματα: χωρίστε τα χρωματιστά ρούχα από τα λευκά.
- Εκκενώστε τις τσέπες και ελέγξτε τα κουμπιά.
- Μην ξεπερνάτε τις υποδεικνυόμενες τιμές στον “Πίνακα των Προγραμμάτων” σε σχέση με το βάρος της στεγνής μπουγάδας.

Πόσο ζυγίζει η μπουγάδα;

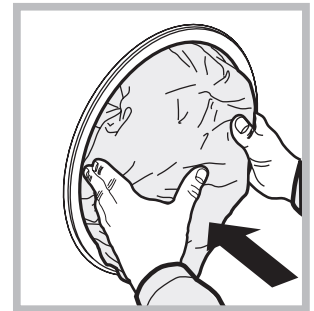
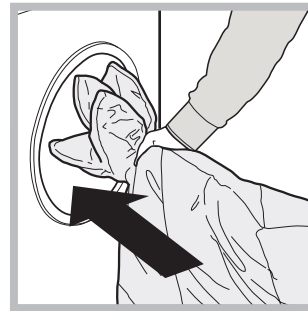
- 1 σεντόνι 400-500 gr.
- 1 μαξιλαροθήκη 150-200 gr.
- 1 τραπεζομάντιλο 400-500 gr.
- 1 μπουρνούζι 900-1.200 gr.
- 1 πετσέτα 150-250 gr.


Ειδικά ρούχα

Αθλητική ένδυση: ο κύκλος είναι κατάλληλος για το πλύσιμο όλων των αθλητικών ενδυμάτων μαζί, συμπεριλαμβανομένης της πετσέτας γυμναστηρίου, με σεβασμό στις ίνες (να εφαρμόζετε ό,τι αναφέρεται στην ετικέτα των ρούχων).

Μωρουδιακά: κύκλος σχεδιασμένος για τη χαρακτηριστική βρωμιά των παιδικών ρούχων απομακρύνοντας πιο αποτελεσματικά και ενδεχόμενα ίχνη εναπομένου απορρυπαντικού.

Παπλώματα: για να πλύνετε ρούχα με γέμιση από πούπουλα χήνας όπως παπλώματα μονά (που δεν υπερβαίνουν τα 1,5 κιλά βάρους), μαξιλάρια, μπουφάν, χρησιμοποιήστε το συγκεκριμένο πρόγραμμα 11. Συστήνεται να βάζετε τα πούπουλένια στον κάδο διπλώνοντάς τις άκρες προς τα μέσα (βλέπε εικόνες) και να μην ξεπερνάτε τα 3/4 του όγκου του ίδιου του κάδου. Για ένα βέλτιστο πλύσιμο συστήνεται να χρησιμοποιείτε υγρό απορρυπαντικό που θα το δοσολογήτε στη θήκη απορρυπαντικού.



Μάλλινα: Με το πρόγραμμα 12 μπορείτε να πλένετε στο πλυντήριο όλα τα μάλλινα ρούχα ακόμη και εκείνα με την ετικέτα “μόνο πλύσιμο στο χέρι” . Για καλύτερα αποτελέσματα χρησιμοποιήστε ειδικό απορρυπαντικό και μην ξεπερνάτε το 1 kg μπουγάδας.

Μεταξωτά: χρησιμοποιήστε το αντίστοιχο πρόγραμμα 13 για να πλύνετε όλα τα μεταξωτά ρούχα. Συνιστάται η χρήση ενός ειδικού απορρυπαντικού για ευαίσθητα ρούχα.

Κουρτίνες: διπλώστε τις μέσα σε ένα μαξιλάρι ή σε ένα δικτυωτό σακούλι. Χρησιμοποιήστε το πρόγραμμα 13.

Σύστημα ισοστάθμισης του φορτίου

Πριν από κάθε στύψιμο, για να αποφύγετε δονήσεις υπερβολικές και για να κατανείμμε ομοιόμορφα το φορτίο, ο κάδος διενεργεί περιστροφές σε μια ταχύτητα ελαφρά ανώτερη εκείνης του πλυσίματος. Αν στο τέλος των διαδοχικών προσπαθειών το φορτίο δεν έχει ακόμη εξισορροπηθεί σωστά η μηχανή διενεργεί το στύψιμο σε μια ταχύτητα χαμηλότερη της προβλεπόμενης. Παρουσία υπερβολικής αστάθειας, το πλυντήριο διενεργεί την κατανομή αντί του στυψίματος. Για να ευνοηθεί καλύτερη κατανομή του φορτίου και της σωστής εξισορρόπησης συιστάται η ανάμιξη ρούχων μεγάλων και μικρών διαστάσεων.

Μπορεί να συμβεί το πλυντήριο να μη λειτουργεί. Πριν τηλεφωνήσετε στην Υποστήριξη (βλέπε “Υποστήριξη”), ελέγξτε αν δεν πρόκειται για πρόβλημα που επιλύεται εύκολα με τη βοήθεια του ακόλουθου καταλόγου.

Ανωμαλίες:

Το πλυντήριο δεν ανάβει.

Δυνατά αίτια / Λύση:

- Το βύσμα δεν έχει εισαχθεί στην ηλεκτρική πρίζα ή τουλάχιστον όχι αρκετά για να κάνει επαφή.
- Στο σπίτι δεν υπάρχει ρεύμα.

Ο κύκλος πλυσίματος δεν ξεκινάει.

- Η πόρτα δεν κλείνει καλά.
- Το κουμπί ON/OFF δεν πατήθηκε.
- Το κουμπί START/PAUSE δεν πατήθηκε.
- Η βρύση του νερού δεν είναι ανοιχτή.
- Τέθηκε μια καθυστέρηση στον χρόνο εκκίνησης (βλέπε «Εξατομικεύσεις»).

Το πλυντήριο δεν φορτώνει νερό (Στην οθόνη απεικονίζεται η ένδειξη «H2O» να αναβοσβήνει).

- Ο σωλήνας τροφοδοσίας του νερού δεν είναι συνδεδεμένος στον κρουνό.
- Ο σωλήνας είναι διπλωμένος.
- Η βρύση του νερού δεν είναι ανοιχτή.
- Στο σπίτι λείπει το νερό.
- Δεν υπάρχει αρκετή πίεση.
- Το κουμπί START/PAUSE δεν πατήθηκε.

Το πλυντήριο φορτώνει και αδειάζει νερό συνεχώς.

- Ο σωλήνας αδειάσματος δεν έχει εγκατασταθεί μεταξύ 65 και 100 cm από το έδαφος (βλέπε «Εγκατάσταση»).
- Το άκρο του σωλήνα αδειάσματος είναι βυθισμένο στο νερό (βλέπε «Εγκατάσταση»).
- Το επιτοίχιο άδειασμα δεν έχει απαέρωση.

Αν μετά από αυτούς τους ελέγχους το πρόβλημα δεν λύνεται, κλείστε τη βρύση του νερού, σβήστε το πλυντήριο και καλέστε την υποστήριξη. Αν η κατοικία βρίσκεται στους τελευταίους ορόφους ενός κτιρίου, μπορεί να διαπιστωθούν φαινόμενα σιφωνισμού, οπότε το πλυντήριο φορτώνει και αδειάζει νερό συνεχώς. Για την αντιμετώπιση του προβλήματος διατίθενται στο εμπόριο κατάλληλες βαλβίδες αντι-σιφωνισμού.

Το πλυντήριο δεν φορτώνει ή δεν στύβει.

- Το πρόγραμμα δεν προβλέπει το άδειασμα: με ορισμένα προγράμματα πρέπει να το εκκινήσετε χειρονακτικά.
- Ο σωλήνας αδειάσματος είναι διπλωμένος (βλέπε «Εγκατάσταση»).
- Ο αγωγός εκκένωσης είναι βουλωμένος.

Το πλυντήριο δονείται πολύ κατά το στύψιμο.

- Ο κάδος, τη στιγμή της εγκατάστασης, δεν ξεμπλόκαρε σωστά (βλέπε «Εγκατάσταση»).
- Το πλυντήριο δεν είναι οριζοντιωμένο (βλέπε «Εγκατάσταση»).
- Το πλυντήριο είναι πολύ στενά μεταξύ τοίχου και επίπλων (βλέπε «Εγκατάσταση»).

Το πλυντήριο χάνει νερό.

- Ο σωλήνας τροφοδοσίας του νερού δεν είναι καλά βιδωμένος (βλέπε «Εγκατάσταση»).
- Η θήκη των απορρυπαντικών είναι βουλωμένη (για να την καθαρίσετε βλέπε «Συντήρηση και φροντίδα»).
- Ο σωλήνας αδειάσματος δεν έχει στερεωθεί καλά (βλέπε «Εγκατάσταση»).

Τα ενδεικτικά φωτάκια των “Λειτουργίες” και το ενδεικτικό φωτάκι “START/PAUSE” αναβοσβήνουν και ένα από τα φωτάκια της “φάσης σε εξέλιξη” και “ΠΟΡΤΑ ΑΣΦΑΛΙΣΜΕΝΗ” ανάβει σταθερά.

- Σβήστε τη μηχανή και βγάλτε το βύσμα από την πρίζα, περιμένετε περίπου 1 λεπτό μετά ξανανάψτε τη. Αν η ανωμαλία επιμένει, καλέστε την Υποστήριξη.

Σχηματίζεται πολύς αφρός.

- Το απορρυπαντικό δεν είναι ειδικό για πλυντήριο (πρέπει να υπάρχει η ένδειξη “για πλυντήριο”, “για πλύσιμο στο χέρι και στο πλυντήριο”, ή παρόμοια).
- Η δοσολογία υπήρξε υπερβολική.

Υποστήριξη

GR

Πριν επικοινωνήσετε με την Υποστήριξη:

- Ελέγξτε αν η ανωμαλία μπορεί να την αντιμετωπίσετε μόνοι σας (βλέπε “Ανωμαλίες και λύσεις”);
- Επανεκκινήστε το πρόγραμμα για να ελέγξετε αν το πρόβλημα αντιμετωπίστηκε;
- Σε αρνητική περίπτωση, επικοινωνήστε με την εξουσιοδοτημένη Τεχνική Υποστήριξη στον τηλεφωνικό αριθμό που υπάρχει στο πιστοποιητικό εγγύησης.

! Μην καταφεύγετε ποτέ σε μη εξουσιοδοτημένους τεχνικούς.

Γνωστοποιήστε:

- το είδος της ανωμαλίας;
- το μοντέλο του μηχανήματος (Mod.);
- τον αριθμό σειράς (S/N).

Οι πληροφορίες αυτές βρίσκονται στην ταμπελίτσα που υπάρχει στο πίσω μέρος του πλυντηρίου και στο πρόσθιο μέρος ανοίγοντας την πόρτα.

ΚΑΤ' ΕΞΟΥΣΙΟΔΟΤΗΣΗ ΚΑΝΟΝΙΣΜΟΣ (ΕΕ) αριθ. 1061/2010 ΤΗΣ ΕΠΙΤΡΟΠΗΣ	
Εμπορικό σήμα	INDESIT
Μοντέλο	EWD 61052 W EU/1
Ονομαστική χωρητικότητα βαμβακερών σε κιλά	6
Κλάση ενεργειακής απόδοσης σε κλίμακα από A+++ (χαμηλή κατανάλωση) έως G (υψηλή κατανάλωση)	A++
Κατανάλωση ενέργειας ετησίως σε kWh ¹⁾	173
Κατανάλωση ενέργειας του κανονικού προγράμματος βαμβακερών 60 °C με πλήρες φορτίο σε kWh ²⁾	0.907
Κατανάλωση ενέργειας του κανονικού προγράμματος βαμβακερών 60 °C με μερικό φορτίο σε kWh ²⁾	0.668
Ενεργειακή κατανάλωση του κανονικού προγράμματος βαμβακερών 40 °C με μερικό φορτίο σε kWh ²⁾	0.584
Κατανάλωση ισχύος της λειτουργίας απενεργοποίησης σε kWh	0.5
Κατανάλωση ισχύος της λειτουργίας αναμονής σε kWh	8
Κατανάλωση νερού ετησίως σε λίτρα ³⁾	8400
Κλάση απόδοσης περιστροφής-στεγνώματος σε κλίμακα από G (ελάχιστη απόδοση) έως A (μέγιστη απόδοση)	C
Μέγιστη ταχύτητα περιστροφής ⁴⁾	1000
Υπολειπόμενη περιεκτικότητα υγρασίας ⁵⁾	62.0%
Χρόνος προγράμματος του "κανονικού προγράμματος βαμβακερών 60 °C" με πλήρες φορτίο σε λεπτά.	240
Χρόνος προγράμματος του "κανονικού προγράμματος βαμβακερών 60 °C" με μερικό φορτίο σε λεπτά.	190
Χρόνος προγράμματος του "κανονικού προγράμματος βαμβακερών 40°C" με πλήρες φορτίο σε λεπτά.	185
Χρόνος προγράμματος του "κανονικού προγράμματος βαμβακερών 40°C" με μερικό φορτίο σε λεπτά.	30
Διάρκεια της λειτουργίας αναμονής σε λεπτά ⁶⁾	60
Εκπομπές αερόφερτου θορύβου dB(A) Re 1 pW ⁶⁾	80
Εντοιχισμένο μοντέλο	

¹⁾ βασίζεται σε 220 κανονικούς κύκλους πλυσίματος για προγράμματα βαμβακερών στους 60°C και 40°C με πλήρες και μερικό φορτίο, και την κατανάλωση των λειτουργιών χαμηλής ισχύος. Η πραγματική κατανάλωση ενέργειας θα εξαρτάται από τη χρήση της συσκευής.

²⁾ Αυτά είναι τα πρότυπα με τα οποία σχετίζονται όλες οι πληροφορίες της επικέτας και του δελτίου, είναι κατάλληλα για το καθαρίσμα φυσιολογικά λερωμένων βαμβακερών ρούχων και είναι τα αποδοκότερα προγράμματα όσον αφορά το συνδυασμό κατανάλωσης ενέργειας και νερού. **Το μερικό φορτίο είναι το μισό της ονομαστικής χωρητικότητας."

³⁾ βασίζεται σε 220 κανονικούς κύκλους πλυσίματος για προγράμματα βαμβακερών στους 60°C και 40°C με πλήρες και μερικό φορτίο. Η πραγματική κατανάλωση νερού θα εξαρτάται από τη χρήση της συσκευής.

⁴⁾ Για τον κανονικό κύκλο στους 60 °C με πλήρες και μερικό φορτίο ή 40°C με μερικό φορτίο, όποιο είναι χαμηλότερο

⁵⁾ Εππυχνάνεται για το πρόγραμμα βαμβακερών στους 60 °C με πλήρες και μερικό φορτίο ή 40°C με μερικό φορτίο, όποιο είναι υψηλότερο

⁶⁾ Εάν το πλυντήριο του σπιτιού σας είναι εξοπλισμένο με σύστημα διαχείρισης ενέργειας.

Instruções para utilização

MÁQUINA DE LAVAR ROUPA

PT

Português

EWD 61052

Sumário

Instalação, 62-63

Desembalar e nivelar
Ligações hidráulicas e eléctricas
Primeiro ciclo de lavagem
Dados técnicos

Manutenção e cuidados, 64

Interromper a alimentação de água e de corrente eléctrica
Limpar a máquina de lavar roupa
Limpar a gaveta dos detergentes
Cuidados com a porta de vidro e o tambor
Limpar a bomba
Verificar o tubo de alimentação de água

Precauções e conselhos, 65

Segurança geral
Eliminação

Descrição da máquina de lavar roupa e como iniciar um programa, 66-67

Painel de comandos
Indicadores luminosos
Iniciar um programa

Programas, 68

Tabela dos programas
Ciclos diários rápidos

Personalizações, 69

Selecione a temperatura
Selecione a centrifugação
Funções

Detergentes e roupa, 70

Gaveta dos detergentes
Preparar a roupa
Peças especiais
Sistema de balanceamento da carga

Anomalias e soluções, 71

Assistência, 72

Instalação

PT

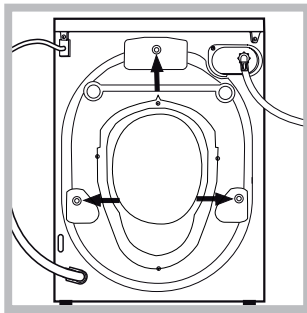
! É importante guardar este manual para poder consultá-lo a qualquer momento. Se a máquina for vendida, cedida ou transferida, certifique-se que este manual permaneça com a máquina para informar o novo proprietário acerca do seu funcionamento e das respectivas advertências.

! Leia com atenção estas instruções: há importantes informações acerca da instalação, da utilização e da segurança.

Desembalar e nivelar

Desembalar

1. Tire a máquina de lavar roupa da embalagem.
2. Verifique se a máquina de lavar roupa sofreu danos no transporte. Se estiver danificada não efectue a sua ligação e contacte o revendedor.



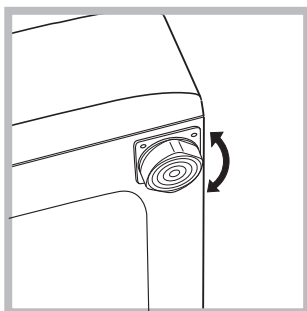
3. Tire os **3** parafusos de protecção para o transporte e a borrachinha com o respectivo calço, situados na parte traseira (veja a figura).

4. Tampe os furos com as tampas em plástico fornecidas.
5. Guarde todas as peças: se for necessário transportar a máquina de lavar roupa, terão de ser montadas outra vez.

! Embalagens não são brinquedos para as crianças!

Nivelamento

1. Instale a máquina de lavar roupa sobre um pavimento plano e rígido, sem encostá-la em paredes, móveis nem outro.

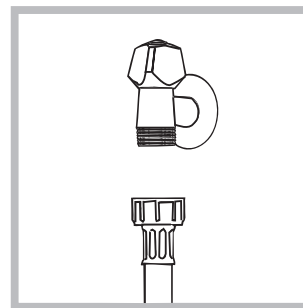


2. Se o pavimento não for perfeitamente horizontal, para compensar qualquer irregularidade, desatarraxe ou atarraxe os pés dianteiros (veja a figura); o ângulo de inclinação, medido no plano de trabalho, não deve ultrapassar 2°.

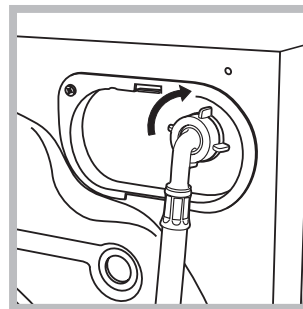
Um cuidadoso nivelamento dá estabilidade à máquina e evita vibrações, ruídos e deslocamentos durante o funcionamento. Se houver tapete ou alcatifa, regule os pés em modo que embaixo da máquina de lavar roupa deixe um espaço suficiente para ventilação.

Ligações hidráulicas e eléctricas

Ligação do tubo de alimentação da água



1. Realize a ligação do tubo de alimentação parafusando-o a uma torneira de água fria com bocal de rosca de 3/4 gás (veja a figura). Antes de realizar esta ligação, deixe a água escorrer até estar límpida.



2. Ligue o tubo de alimentação na máquina de lavar roupa atarraxando-o no apropriado fornecimento da água, na parte traseira, em cima à direita (veja a figura).

3. Tome cuidado para o tubo não ser dobrado nem esmagado.

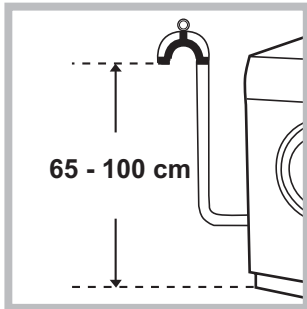
! A pressão hídrica da torneira deve ser entre os valores da tabela dos Dados técnicos (veja a página ao lado).

! Se o comprimento do tubo de alimentação não for suficiente, contacte uma oficina especializada ou um técnico autorizado.

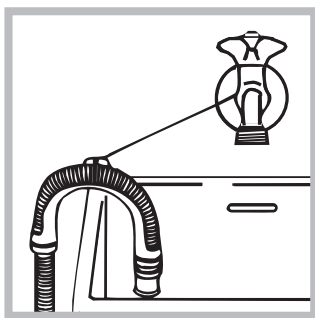
! Nunca utilize tubos já usados.

! Utilize aqueles fornecidos com a máquina.

Ligação do tubo de descarga



Ligue o tubo de descarga, sem dobrá-lo, a um conduto de descarga ou a uma descarga de parede colocados entre 65 e 100 cm do chão;



em alternativa, coloque na beira de um lavabo ou de uma banheira, prendendo na torneira a guia fornecida (veja a figura). A ponta solta do tubo de descarga não deve permanecer emergida na água.

! É desaconselhado empregar tubos de extensão; mas se for indispensável, a extensão deve ter o mesmo diâmetro do tubo original e não medir mais de 150 cm de comprimento.

Ligação eléctrica

Antes de ligar a ficha na tomada eléctrica, certifique-se que:

- a tomada tenha uma ligação à terra e seja nos termos da legislação;
- a tomada tenha a capacidade para suportar a carga máxima de potência da máquina, indicada na tabela dos Dados técnicos (veja ao lado);
- a tensão de alimentação seja entre os valores indicados na tabela dos Dados técnicos (veja ao lado);
- a tomada seja compatível com a ficha da máquina de lavar roupa. Se não for, substitua a tomada ou a ficha.

! Esta máquina de lavar roupa não deve ser instalada ao aberto, nem mesmo abrigada, porque é muito perigoso deixá-la exposta à chuva e às tempestades.

! Depois de ter instalado a máquina de lavar roupa, o acesso à tomada eléctrica deve ser fácil.

! Não empregue extensões nem fichas múltiplas.

! O cabo não deve ser dobrado nem apertado.

! O cabo de alimentação deve ser substituído somente por técnicos autorizados. Atenção! O fabricante declina toda a responsabilidade se estas regras não forem respeitadas.

Primeiro ciclo de lavagem

Depois da instalação, antes de usar, efectue um ciclo de lavagem com detergente mas sem roupa, defina o programa 2.

Dados técnicos

Modelo	EWD 61052
Medidas	largura 59,5 cm. altura 85 cm. profundidade 51,7 cm.
Capacidade	de 1 a 6 kg.
Ligações eléctricas	Veja a placa das características técnicas colocada na máquina.
Ligações hídricas	pressão máxima 1 MPa (10 bars) pressão mínima 0,05 MPa (0,5 bar) capacidade do tambor 40 litros
Velocidade da centrifugação	até 1000 rotações por minuto
Programas de controlo conforme as regulamentos 1061/2010 e 1015/2010	Programa 14: Eco algodón 60°C. Programa 14: Eco algodón 40°C.



Esta aparelhagem é em conformidade com as seguintes Directivas Comunitárias:

- EMC 2014/30/EU (Compatibilidade Electromagnética)
- 2012/19/EU - WEEE
- LVD 2014/35/EU (Baixa Tensão)

Manutenção e cuidados

PT

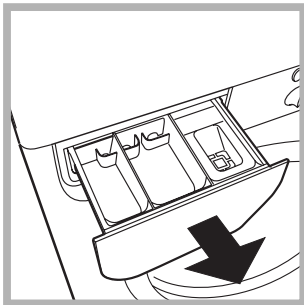
Interromper a alimentação de água e de corrente eléctrica

- Feche a torneira da água depois de cada lavagem. Desta maneira diminuiu-se o desgaste do sistema hidráulico da máquina de lavar roupa e elimina-se o risco de inundação.
- Tire a ficha da tomada eléctrica quando for limpar a máquina de lavar roupa e durante os trabalhos de manutenção.

Limpar a máquina de lavar roupa

A parte externa e as peças em borracha podem ser limpas com um pano molhado com água morna e sabão. Não empregue solventes nem abrasivos.

Limpar a gaveta dos detergentes



Para tirar a gaveta, erga-a e puxe-a para fora (veja a figura). Lave-a com água corrente; esta limpeza deve ser efectuada frequentemente.

Cuidados com a porta de vidro e o tambor

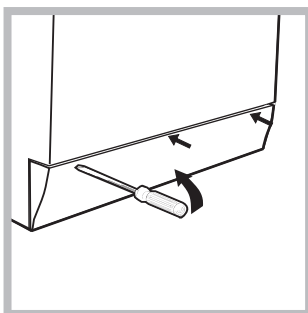
- Deixe a porta sempre entreaberta para evitar que se formem odores desagradáveis.

Limpar a bomba

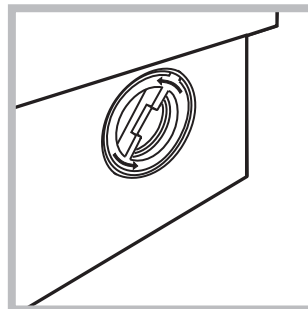
Esta máquina de lavar roupa é equipada com uma bomba com limpeza automática que não precisa de operações de manutenção. Entretanto pode acontecer que pequenos objectos (moedinhas, botões) caiam na pré-câmara que protege a bomba, situada na parte inferior da mesma.

! Certifique-se que o ciclo de lavagem tenha terminado e tire a ficha da tomada.

Para obter acesso à pré-câmara:



1. tire o painel de cobertura da parte dianteira da máquina de lavar roupa com ajuda de uma chave de fendas (veja a figura);



2. desenrosque a tampa girando-a no sentido anti-horário (veja a figura). é normal que perca um pouco de água;

3. limpe o interior com cuidado;
4. enrosque outra vez a tampa;
5. monte outra vez o painel, certifique-se, antes de empurrá-la na máquina, que os ganchos foram colocados nas respectivas ranhuras.

Verificar o tubo de alimentação de água

Verifique o tubo de alimentação pelo menos uma vez por ano. Se houver rachaduras ou fendas, será necessário substituí-lo: durante as lavagens as fortes pressões podem provocar repentinas quebras.

! Nunca utilize tubos já usados.

! Esta máquina de lavar roupa foi projectada e fabricada em conformidade com os regulamentos internacionais de segurança. Estas advertências são fornecidas por razões de segurança e devem ser lidas com atenção.

Segurança geral

- Este aparelho foi projectado exclusivamente para um uso doméstico.
- Este aparelho pode ser utilizado por crianças com mais de 8 anos e por pessoas com capacidades físicas, sensoriais ou mentais reduzidas ou com experiência e conhecimentos insuficientes, caso sejam supervisionadas ou caso tenham recebido instruções adequadas em relação ao uso do aparelho de forma segura, compreendendo os perigos associados. As crianças não devem brincar com o aparelho. A manutenção e limpeza não devem ser efectuadas por crianças sem supervisão.
- Não toque na máquina com os pés descalços nem com as mãos ou os pés molhados ou húmidos.
- Não puxe o cabo eléctrico para tirar a ficha da tomada, pegue a ficha mesmo.
- Não abra a gaveta dos detergentes enquanto a máquina estiver a funcionar.
- Não toque a água de descarga, que poderá chegar a temperaturas altas.
- Em nenhum caso force a porta para abri-la: poderá danificar o mecanismo de segurança que a protege contra aberturas acidentais.
- Se houver avarias, em nenhum caso mexa nos mecanismos internos para tentar reparar.
- Verifique sempre que criança não se aproxime da máquina a funcionar.
- Durante a lavagem a porta de vidro tende a aquecer-se.
- Se for preciso deslocá-la, são precisas pelo menos duas ou três pessoas, com a máxima atenção. Nunca sozinho porque a máquina é muito pesada.
- Antes de colocar a roupa controle que o tambor esteja vazio.

Eliminação

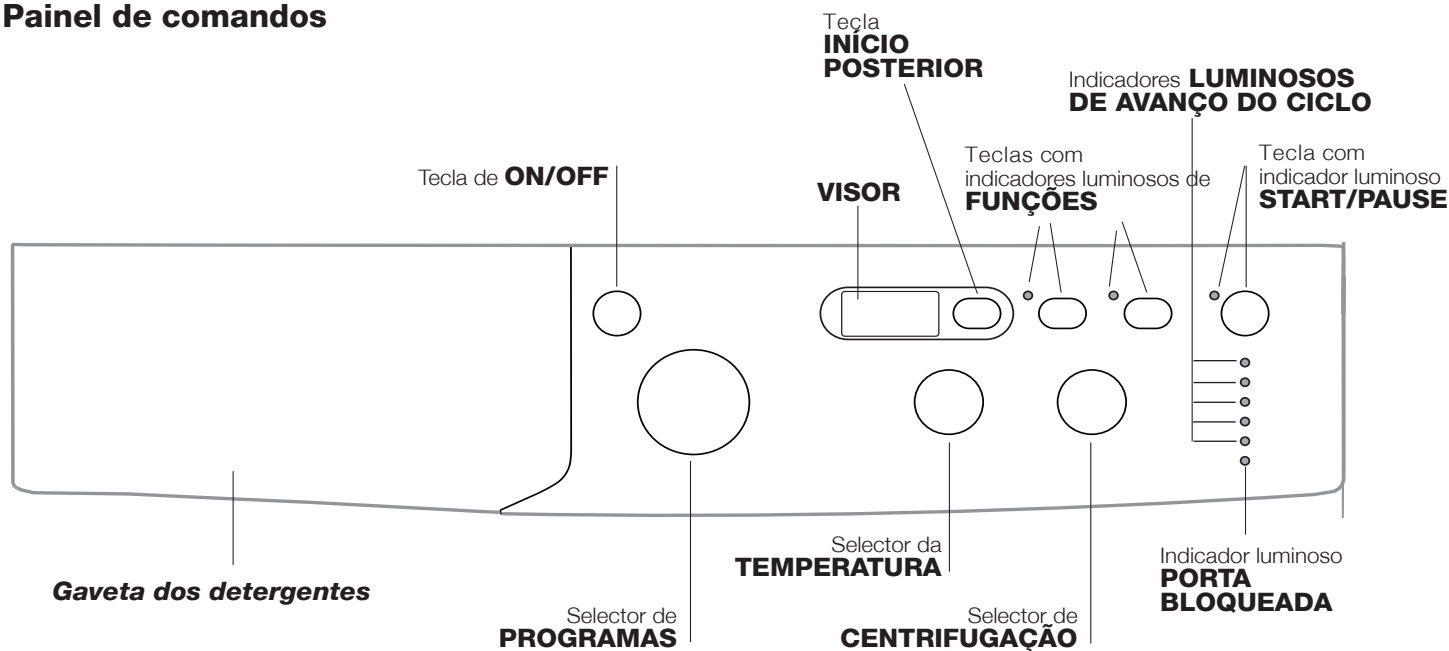
- Eliminação do material de embalagem: obedeça os regulamentos locais, de maneira que as embalagens possam ser reutilizadas.
- A directiva Europeia 2012/19/EU WEEE relativa aos resíduos de equipamentos eléctricos e electrónicos prevê que os electrodomésticos não devem ser eliminados no normal fluxo dos resíduos sólidos urbanos. Os aparelhos que deixaram de ser utilizados devem ser recolhidos separadamente para otimizar a taxa de recuperação e reciclagem dos materiais que os compõem e impedir potenciais danos à saúde e ao meio ambiente. O símbolo do contentor de lixo barrado com uma cruz está presente em todos os produtos para lembrar o dever de recolha selectiva. Para mais informações sobre

o correcto desmantelamento dos electrodomésticos, contacte o serviço público especializado ou os revendedores.

Descrição da máquina de lavar roupa e como iniciar um programa

PT

Painel de comandos



Gaveta dos detergentes: para colocar detergentes e aditivos (veja “Detergentes e roupa”).

Tecla de **ON/OFF:** para ligar e desligar a máquina de lavar roupa.

Selector de **PROGRAMAS:** para programar os programas. Durante o programa o selector permanece parado.

Teclas com indicadores luminosos de **FUNÇÕES:** para seleccionar as funções disponíveis. O indicador luminoso correspondente à função seleccionada permanecerá aceso.

Selector de **CENTRIFUGAÇÃO:** para seleccionar a centrifugação ou desactivá-la (veja “Personalizações”).

Selector da **TEMPERATURA:** para definir a temperatura ou a lavagem a frio (veja “Personalizações”).


VISOR: para visualizar a duração dos vários programas à disposição e com o ciclo iniciado o tempo faltante para o fim do mesmo; no caso em que tenha sido programado um **INÍCIO POSTERIOR**, será visualizado o tempo faltante ao início do programa seleccionado.

Tecla **INÍCIO POSTERIOR** : pressionar para programar um início atrasado do programa escolhido. O atraso é indicado no visor.

Indicadores **LUMINOSOS DE AVANÇO DO CICLO:** para seguir o estado do avanço do programa de lavagem. O indicador luminoso aceso indica a fase em curso.

Indicador luminoso **PORTA BLOQUEADA:** para saber se a porta de vidro pode ser aberta (veja a página ao lado).

Tecla com indicador luminoso **START/PAUSE:** para activar os programas ou interrompê-los momentaneamente.

Obs.: para colocar em pausa a lavagem em curso, carregar nesta tecla, o respectivo indicador luminoso ficará intermitente com uma luz laranja enquanto aquele da fase em curso ficará aceso fixo. Se o indicador **PORTA BLOQUEADA**  estiver apagado, será possível abrir a porta de vidro (aguarde aproximadamente 3 minutos).

Para fazer iniciar a lavagem do ponto em que foi interrompida, carregar novamente nesta tecla.

Modalidade de Stand by

Esta máquina de lavar roupa, em conformidade com as novas normas sobre a economia energética, dispõe de um sistema de desligação automática (stand by) que entra em função aproximadamente 30 minutos depois, no caso de inutilização. Carregue brevemente no botão **ON/OFF** e aguarde até a reactivação da máquina.

Indicadores luminosos

Os indicadores luminosos fornecem informações importantes.

Vejamos o que significam:

Indicadores luminosos fase em curso

Uma vez seleccionado e iniciado o ciclo de lavagem desejado, os indicadores luminosos se acenderão progressivamente para indicar o estado de avanço:

Lavagem	●	
Enxaguamento	●	
Centrifugação	●	
Descarga	●	
Final da Lavagem	●	END


Teclas função e respectivos indicadores luminosos

Ao seleccionar uma função o respectivo indicador luminoso se acenderá.

Se a função seleccionada não for compatível com o programa definido, o indicador luminoso se acenderá intermitente e a função não será activada.

Se a função seleccionada não for compatível com uma outra programada anteriormente, o indicador luminoso relativo à primeira função seleccionada irá piscar e será activada somente a segunda, o indicador luminoso da função activada acender-se-á.

Iniciar um programa

1. Para ligar a máquina de lavar roupa, mete na tecla de ON/OFF. Todos os indicadores luminosos se acenderão por alguns segundos, em seguida apagam-se e ficará intermitente o indicador luminoso START/PAUSE.
 2. Coloque a roupa dentro da máquina e feche a porta.
 3. Selecciona mediante o selector de PROGRAMAS o programa que desejar.
 4. Selecciona a temperatura de lavagem (veja as "Personalizações").
 5. Selecciona a velocidade de centrifugação (veja as "Personalizações").
 6. Colocar detergentes e aditivos (veja "Detergentes e roupa").
 7. Seleccionar as funções desejadas.
 8. Iniciar o programa carregando na tecla START/PAUSE e o respectivo indicador luminoso permanecerá aceso fixo de cor verde. Para anular o ciclo programado, colocar a máquina em pausa carregando na tecla START/PAUSE e escolher um novo ciclo.
 9. No fim do programa, irá iluminar-se o indicador END. Quando o indicador PORTA BLOQUEADA  estiver apagado, será possível abrir a porta de vidro (aguarde aproximadamente 3 minutos). Retire a roupa lavada de dentro e deixe a porta entreaberta para deixar o tambor enxugar-se.
- Para desligar a máquina de lavar roupa, mete na tecla de ON/OFF.

Programas

PT

Tabela dos programas

Programas	Descrição do Programa	Temp. max. (°C)	Velocidade max. (rotações por minuto)	Detergentes			Carga max. (kg)	Humidade residual %	Consumo de energia kWh	Água total lt	Duração ciclo
				Pré-lavagem	Lavagem	Amaciador					
EVERYDAY FAST											
1	Mix Cores 59'	40°	1000	-	●	●	6	-	-	-	59'
2	Algodão 59'	60°	1000	-	●	●	6	-	-	-	59'
3	Sintéticos 59'	30°	1000	-	●	●	3	-	-	-	59'
4	Diário 45'	40°	1000	-	●	●	3	-	-	-	45'
5	Mix 30'	30°	800	-	●	●	3	70	0.17	31	30'
Special&Partial											
6	Vestuário desportivo e toalhas	40°	600	-	●	●	3	-	-	-	**
7	Branco: brancos e coloridos resistentes muito sujos.	60° (Max.90°)	1000	●+90°	●	●	6	-	-	-	**
8	Bebé	40°	800	-	●	●	2	-	-	-	**
9	Enxaguamentos	-	1000	-	-	●	6	-	-	-	**
10	Centrifugação + Descarga	-	1000	-	-	-	6	-	-	-	**
10	Apenas descarga *	-	⊘	-	-	-	6	-	-	-	**
Dedicated											
11	Edredões: para peças com enchimento em plumas de ganso.	30°	1000	-	●	●	1.5	-	-	-	**
12	Lã: para lã, cashmere, etc.	40°	800	-	●	●	1	-	-	-	**
13	Seda/Cortinas: para roupas de seda, viscosa, lingerie.	30°	0	-	●	●	1	-	-	-	**
14	Eco algodón 60°C (1): brancos e coloridos resistentes muito sujos.	60°	1000	-	●	●	6	62	0.90	50.0	240'
14	Eco algodón 40°C (2): brancos e coloridos delicados pouco sujos.	40°	1000	-	●	●	6	62	0.97	63	230'
15	Algodão (3): brancos e coloridos delicados pouco sujos.	40° (Max.60°)	1000	-	●	●	6	62	0.97	63	230'
16	Sintéticos (4): Coloridos resistentes pouco sujos.	40° (Max.60°)	1000	-	●	●	3	44	0.68	45	115'

* Ao seleccionar o programa 10 e excluindo a centrifugação, a máquina efectuará apenas a descarga.

** É possível visualizar a duração do programa de lavagem no visor.

A duração do ciclo indicada no visor ou no manual é uma estimativa calculada com base nas condições padrão. O tempo efectivo poderá variar a depender de vários factores, tais como a temperatura e a pressão da água em entrada, a temperatura ambiental, a quantidade de detergente, a quantidade e o tipo de carga, o balanceamento da carga e as opções adicionais seleccionadas.

1) Programa de controlo segundo a regulamentação 1061/2010: configurar o programa 14 com uma temperatura de 60°C.

Este ciclo é adaptado para lavar uma carga de algodão normalmente suja e é o mais eficiente em termos de consumo combinado de energia e de água, para lavar a 60°C. A temperatura efectiva de lavagem pode ser diferente daquela indicada.

2) Programa de controlo segundo a regulamentação 1061/2010: configurar o programa 14 com uma temperatura de 40°C.

Este ciclo é adaptado para lavar uma carga de algodão normalmente suja e é o mais eficiente em termos de consumo combinado de energia e de água, para lavar a 40°C. A temperatura efectiva de lavagem pode ser diferente daquela indicada.

Para todos Test Institutos:

3) Programa longo para algodão: configurar o programa 15 com uma temperatura de 40°C.

4) Programa longo para sintético: configurar o programa 16 com uma temperatura de 40°C.

Ciclos diários rápidos

Um conjunto completo de programas rápidos para lavar mesmo com plena carga os tecidos mais comuns e remover a sujidade quotidiana mais frequente em menos de 1 hora.

Mix Cores 59': para lavar peças mistas e coloridas em conjunto.

Algodão 59': ciclo estudado para lavar peças em algodão, principalmente brancos. Pode-se utilizar também com detergente em pó.

Sintéticos 59': específico para lavar peças sintéticas. Na presença de sujidade mais resistente, pode-se aumentar a temperatura até 60° e utilizar também detergente em pó.

Diário 45': ciclo breve estudado para lavar peças de algodão delicadas.

Mix 30': ciclo breve estudado para lavar uma carga mista de algodão e tecidos sintéticos, brancos e coloridos em conjunto.

Selecione a temperatura

Gire o selector da TEMPERATURA para seleccionar a temperatura de lavagem (veja a *Tabela dos programas*).

A temperatura pode ser diminuída até a lavagem a frio (❄).

A máquina impedirá automaticamente a configuração de uma temperatura superior à máxima prevista para cada um dos programas.

! Excepção: seleccionando o programa **7** a temperatura pode ser aumentada até a 90°.

! Excepção: seleccionando o programa **15** a temperatura pode ser aumentada até a 60°.

! Excepção: seleccionando o programa **16** a temperatura pode ser aumentada até a 60°.

Selecione a centrifugação

Gire o selector da CENTRIFUGAÇÃO para seleccionar a velocidade de centrifugação do programa seleccionado.

As velocidades máximas que há para os programas são:

Programas	Velocidade máxima
Algodão	1000 rotações por minuto
Sintéticos	1000 rotações por minuto
Lã	800 rotações por minuto
Seda	somente descarga

A velocidade de centrifugação pode ser diminuída, ou excluída se seleccionar o símbolo (⊘).

A máquina impedirá automaticamente a realização de uma centrifugação superior à máxima de cada um dos programas.

Funções

As várias funções de lavagem da máquina de lavar roupa possibilitam obter-se a limpeza e o branco que desejar.

Para activar as funções:

1. mete na tecla relativa à função desejada;
2. o respectivo indicador luminoso acende-se para avisar que a função está activada.


Observação:

- Se a função seleccionada não for compatível com o programa definido, o indicador luminoso se acenderá intermitente e a função não será activada.
- Se a função seleccionada não for compatível com uma outra programada anteriormente, o indicador luminoso relativo à primeira função seleccionada irá piscar e será activada somente a segunda, o indicador luminoso da função activada acender-se-á.


Início posterior

Para programar o início atrasado do programa escolhido, carregue no botão respectivo até alcançar o tempo de atraso desejado. Quando esta opção estiver activa, no visor aparecerá o símbolo (⌚). Para cancelar o início posterior, carregue no botão até que no visor apareça a escrita OFF.

Extra Wash

Para peças muito sujas, ativar a opção **Extra Wash** , caso seja compatível. Pressionando esta opção, o ciclo readapta automaticamente todos os parâmetros de lavagem, passando a um ciclo de maior duração. A opção deixa sempre inalterada a temperatura, enquanto a centrifugação é automaticamente configurada nos níveis máximos. O utilizador pode configurar a centrifugação para o valor pretendido.

Energy Savér

A opção **Energy Savér**  permite lavar peças em algodão e sintéticos poupando energia e ajudando assim o ambiente. A poupança é gerada pela lavagem, que é efetuada a frio, enquanto através de uma intensificada ação mecânica e um uso otimizado da água, se atinge igualmente o resultado pretendido. É indicado para peças de roupa pouco sujas. Aconselhamos a utilização de detergente líquido.

Detergentes e roupa

PT

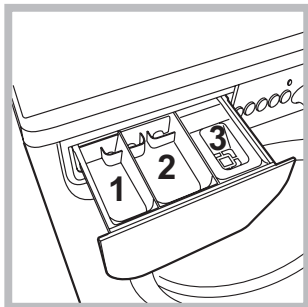
Gaveta dos detergentes

O bom resultado da lavagem depende também do emprego da dose certa de detergente: com excessos não se lava de maneira mais eficaz, mas contribui-se para formar crostas nas peças internas da máquina de lavar roupa e poluir o meio ambiente.

! Não use detergentes para lavagem à mão, porque formam espuma demais.

! Usar detergentes em pó para roupas de algodão brancas e para a pré-lavagem e para lavagens com temperatura superior aos 60°C.

! Seguir as indicações fornecidas pelo produtor na embalagem do detergente.



Tire a gaveta dos detergentes e deite o detergente ou o aditivo da seguinte maneira:

gaveta 1: Detergente para pré-lavagem (em pó)
gaveta 2: Detergente para lavagem (em pó ou líquido)

O detergente líquido deve ser deitado somente depois da máquina ter arrancado.

gaveta 3: Aditivos (amaciador etc.)

O aditivo amaciador não deve ultrapassar a grade.

Nota: No caso de utilização de “detergente em pastilhas”, recomendamos que siga sempre as instruções do fabricante.

Preparar a roupa

- Divida a roupa em função:
 - do tipo de tecido / do símbolo na etiqueta.
 - das cores: separe as peças coloridas das brancas.
- Esvazie as algibeiras e verifique se há botões soltos.
- Não ultrapasse os valores indicados na *Tabela dos Programas* que se referem ao peso da roupa enxuta.

Quanto pesa a roupa?

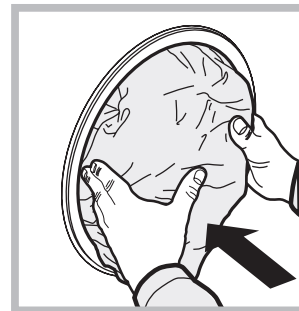
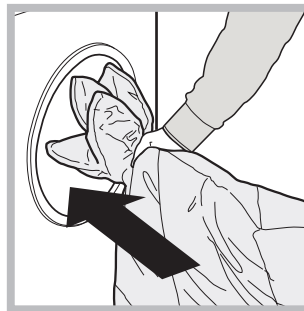
- 1 lençol 400 - 500 g.
- 1 fronha 150 - 200 g.
- 1 toalha de mesa 400 - 500 g.
- 1 roupão 900 - 1200 g.
- 1 toalha de rosto 150 - 250 g.

Peças especiais

Vestuário desportivo e toalhas: este ciclo é adequado para lavar todas as peças de roupa desportivas em conjunto, incluindo a toalha de banho, respeitando as fibras (seguir as indicações presentes nas etiquetas das peças).

Bebé: ciclo estudado para a sujidade típica das peças de roupa das crianças, removendo mais eficazmente até eventuais vestígios de detergente residual.

Edredões: para lavar peças com enchimento de plumas de ganso de solteiro (com peso inferior a 1,5 kg), travesseiros, jaquetas, utilizar o programa específico **11**. Recomenda-se colocar as peças no tambor dobrando as suas pontas para dentro (*veja as figuras*) e de não superar os $\frac{3}{4}$ do volume do próprio tambor. Para obter óptimos resultados de lavagem recomenda-se utilizar o detergente líquido dosado na gaveta dos detergentes.



Lã: com o programa **12** é possível lavar na máquina todas as roupas de lã, mesmo aquelas com a etiqueta “lavar somente à mão” . Para obter os melhores resultados, use um detergente específico e não supere 1 kg de peso.

Seda: utilize o programa específico **13** para lavar todas as roupas de seda. Aconselha-se o uso de um detergente específico para tecidos delicados.

Cortinas: dobre-as bem e coloque-as dentro de uma fronha ou de um saquinho de rede. Utilize o programa **13**.

Sistema de balanceamento da carga

Antes de cada centrifugação, para evitar vibrações excessivas e para distribuir a carga em modo uniforme, o tambor efectua algumas rotações a uma velocidade levemente superior àquela de lavagem. Se no fim de repetidas tentativas a carga ainda não estiver correctamente balanceada, a máquina efectuará a centrifugação com uma velocidade inferior àquela prevista. No caso de um excessivo desbalanceamento, a máquina de lavar roupa efectuará a distribuição ao invés da centrifugação. Para favorecer uma melhor distribuição da carga e o seu correcto balanceamento, aconselha-se misturar peças grandes com peças pequenas.

Pode acontecer que a máquina de lavar roupa não funcione. Antes de telefonar para a Assistência Técnica (veja “Assistência”), verifique se não se trata de um problema fácil de resolver com ajuda da seguinte lista.

Anomalias:

Possíveis causas / Solução:

A máquina de lavar roupa não liga.

- A ficha não está colocada na tomada eléctrica, ou não é suficiente para haver contacto.
- Em casa não há corrente.

O ciclo de lavagem não inicia.

- A porta de vidro não está bem fechada.
- O botão ON/OFF não foi pressionado.
- O botão START/PAUSE não foi pressionado.
- A torneira da água não está aberta.
- Foi programado um início posterior (veja as “Personalizações”).

A máquina de lavar roupa não carrega a água (no visor será mostrada a escrita “H2O” intermitente).

- O tubo de alimentação de água não está ligado na torneira.
- O tubo está dobrado.
- A torneira da água não está aberta.
- Está a faltar água em casa.
- Não há suficiente pressão.
- O botão START/PAUSE não foi pressionado.

A máquina de lavar roupa carrega e descarrega água continuamente.

- O tubo de descarga não está instalado entre 65 e 100 cm de altura do chão (veja “Instalação”).
- A ponta do tubo de descarga está imersa na água (veja “Instalação”).
- Da descarga na parede não foi sangrado o ar.

Se depois destas verificações o problema não for resolvido, feche a torneira da água, desligue a máquina de lavar roupa e chame a assistência técnica. Se a morada encontrar-se nos últimos andares de um edifício, é possível que aconteçam fenómenos de sifão por causa dos quais a máquina de lavar roupa carrega e descarrega água continuamente. Para eliminar este inconveniente, há a disposição no comércio apropriadas válvulas contra o efeito sifão.

A máquina de lavar roupa não descarrega ou nem realiza centrifugação.

- No programa não há descarga: com alguns programas será necessário iniciar a descarga manualmente.
- O tubo de descarga está dobrado (veja “Instalação”).
- A conduta de descarga está entupida.

A máquina de lavar roupa vibra muito durante a centrifugação.

- O tambor, no momento da instalação, não foi liberado correctamente (veja “Instalação”).
- A máquina não está nivelada (veja “Instalação”).
- A máquina está apertada entre móveis e parede (veja “Instalação”).

Da máquina de lavar roupa está a perder água.

- O tubo de alimentação da água não está bem enroscado (veja “Instalação”).
- O gaveta dos detergentes está entupida (para limpá-la veja “Manutenção e cuidados”).
- O tubo de descarga não está fixado correctamente (veja “Instalação”).

Os indicadores luminosos das “funções” e o indicador luminoso de “START/PAUSE” piscam e um dos indicadores da “fase em curso” e de “porta bloqueada” ficam acesos fixos.

- Desligue a máquina e tire a ficha da tomada, aguarde aproximadamente 1 minuto e volte a ligá-la.
Se a anomalia persistir, contacte a Assistência Técnica.

Está a formar-se demasiada espuma.

- O detergente não é específico para máquina de lavar roupa (deve haver a escrita “para máquina de lavar”, “à mão e para máquina de lavar” ou similares).
- A dose foi excessiva.

Assistência

PT

Antes de contactar a Assistência Técnica:

- Verifique se consegue resolver a anomalia sozinho (veja “Anomalias e soluções”);
- Reinicie o programa para verificar se o inconveniente foi resolvido;
- Em caso negativo, contacte a o Centro de Assistência técnica autorizada no número de telefone indicado no certificado de garantia.

! Nunca recorra a técnicos não autorizados.

Comunique:

- o tipo de anomalia;
- o modelo da máquina (Mod.);
- o número de série (S/N).

Estas informações encontram-se na placa colocada na parte traseira da máquina de lavar roupa e na parte anterior abrindo a porta de vidro.

REGULAMENTO DELEGADO (UE) N.º 1061/2010 DA COMISSÃO	
Modelo	INDESIT
Código	EWD 61052 W EU/1
Capacidade nominal em kg de tecidos de algodão	6
Classe de eficiência energética numa escala de A+++ (baixos consumos) a D (altos consumos)	A++
Consumo de energia anual em kWh ¹⁾	173
Consumo energético do programa algodões standard a 60°C em plena carga em kWh ²⁾	0.907
Consumo energético do programa algodões standard a 60° em carga parcial em kWh ²⁾	0.668
Consumo energético do programa algodões standard a 40° em carga parcial em kWh ²⁾	0.584
Consumo energético ponderado em estado de desactivação em W	0.5
Consumo energético ponderado em estado inactivo em W	8
Consumo de água em litros/ano ³⁾	8400
Classe de eficiência de secagem numa escala de G (menos eficiente) a A (mais eficiente)	C
Velocidade máxima de centrifugação obtida ⁴⁾	1000
Grau de humidade residual ⁵⁾	62.0%
Duração do programa standard para tecidos de algodão 60°C em plena carga em min.	240
Duração do programa standard para tecidos de algodão 60°C em carga parcial em min.	190
Duração do programa standard para tecidos de algodão 40°C em carga parcial em min.	185
A duração do estado inactivo em min.	30
A emissão de ruído aéreo, expressa em dB(A) Re 1 pW, na lavagem ⁶⁾	60
A emissão de ruído aéreo, expressa em dB(A) Re 1 pW, na centrifugação ⁶⁾	80
Modelo de encastrar	

¹⁾ Com base em 220 ciclos de lavagem dos programas de lavagem normal de algodão a 60 °C e a 40 °C em plena carga e em carga parcial, e no consumo dos modos de baixo consumo de energia. O valor real do consumo de energia dependerá do modo de utilização do aparelho.

²⁾ O «programa de lavagem normal de algodão a 60 °C» e o «programa de lavagem normal de algodão a 40 °C» são os programas de lavagem normal a que se referem as informações no rótulo e na ficha, de que estes programas são adequados para a lavagem de roupa de algodão com grau de sujidade normal e são os programas de maior eficiência em termos de consumo combinado de energia e água **A carga parcial é a metade da carga nominal.

³⁾ Com base em 220 ciclos de lavagem dos programas de lavagem normal de algodão a 60 °C e a 40 °C em plena carga e em carga parcial. O valor real do consumo de energia dependerá do modo de utilização do aparelho.

⁴⁾ Para o programa de lavagem normal de algodão a 60 °C em plena carga ou no programa de lavagem normal de algodão a 40 °C em carga parcial, conforme o que for inferior.

⁵⁾ Para o programa de lavagem normal de algodão a 60 °C em plena carga ou no programa de lavagem normal de algodão a 40 °C em carga parcial, conforme o que for maior.

⁶⁾ baseada nas fases de lavagem e centrifugação no programa de lavagem normal de algodão a 60 °C em plena carga.

BG

Български

EWD 61052

Съдържание

Монтиране, 74-75

Разопаковане и нивелиране
Хидравлични и електрически връзки
Първо пране
Технически данни

Поддръжка и почистване, 76

Спиране на водата и изключване на електрозахранването
Почистване на пералната машина
Почистване на чекмеджето за перилните препарати
Поддръжка на люка и на барабана
Почистване на помпата
Проверка на маркуча за студената вода

Мерки за безопасност и препоръки, 77

Общи предохранителни мерки
Рециклиране

Описание на пералната машина и пускането на дадена програма, 78-79

Табло за управление
Светлинни индикатори
Включване на програма

Програми, 80

Таблица с програмите
Бързи всекидневни цикли

Персонализираня, 81

Задаване на температурата
Задаване на центрофугата
Функции

Перилни препарати и дрехи за пране, 82

Чекмедже за перилните препарати
Подготвяне на прането
Специфично пране
Система за измерване на товара

Проблеми и мерки за отстраняването им, 83

Сервизно обслужване, 84

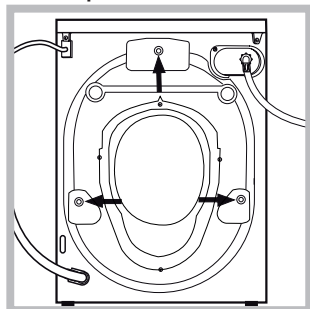
! Важно е да съхранявате инструкциите, за да можете да правите допълнителни справки по всяко време. В случай че пералната машина се продаде, преотстъпи или премести, трябва да се погрижите инструкциите винаги да я придружават, за да се предостави информация на новия собственик за работата и съответните предупреждения.

! Прочетете внимателно инструкциите: защото съдържат важна информация за монтажа, използването и безопасността.

Разопаковане и нивелиране

Разопаковане

1. Разопакувайте пералната машина.
2. Проверете дали пералната машина не е повредена при транспортирането. Ако е повредена, не я свързвайте, а се обърнете към продавача.

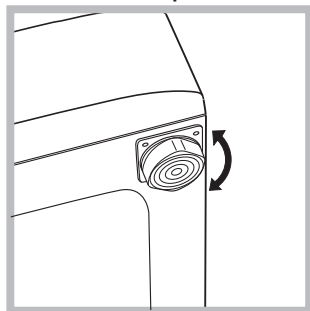


3. Свалете 3-те винта за предпазване при транспорт и гумичката със съответната втулка, поставени от задната страна (виж показаното на фигурата).

4. Затворете отворите с предоставените пластмасови капачки.
 5. Съхранете всички части: за да се монтират отново при необходимост пералната машина да бъде транспортирана.
- ! Опаковъчният материал не е детска играчка.

Нивелиране

1. Монтирайте пералната машина на равен и твърд под, без да я опирате в стени, мебели и др.



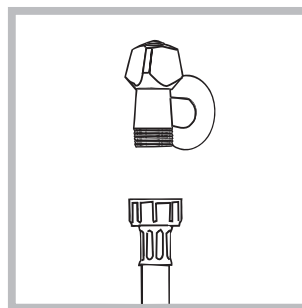
2. Ако подът не е идеално хоризонтален, компенсирате неравностите, като отвиете или завиете предните крачета (виж фигурата); ъгълът на наклона, измерен върху работната

повърхност, не трябва да надвишава 2°.

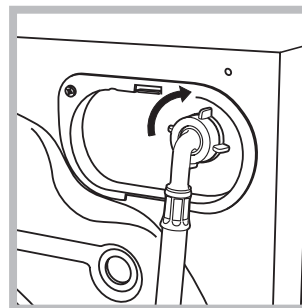
Точното нивелиране позволява машината да бъде стабилна и да се избягват вибрациите, шумът и преместването ѝ по време на работа. Когато настилката е мокет или килим, регулирайте така крачетата, че под пералната машина да остане достатъчно място за вентилация.

Хидравлични и електрически връзки

Свързване на маркуча към водопроводната мрежа



1. Свържете захранващия маркуч, като го завиете към крана за студената вода с накрайник с газова резба 3/4 (виж фигурата). Преди да го свържете, източете водата, докато се избистри.



2. Свържете маркуча за студената вода към пералната машина, като го завиете към специалния щуцер, разположен от задната страна, горе вдясно (виж фигурата).

3. Внимавайте маркуча да не се прегъва и притиска.

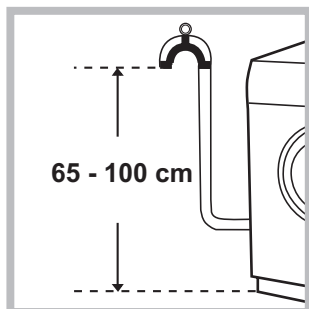
! Налягането по водопроводната мрежа трябва да бъде в границите, указани в таблицата „Технически данни“ (вж. следващата страница).

! Ако дължината на захранващия маркуч не е достатъчна, се обърнете към специализиран магазин или към оторизиран техник.

! Никога не използвайте вече употребяван маркуч.

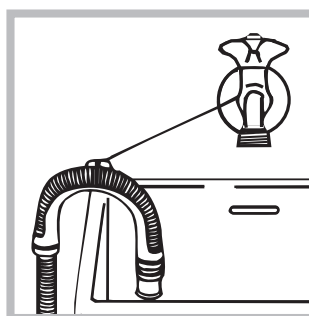
! Използвайте тези, което са доставени с пералната машина.

Свързване на маркуча за мръсната вода



Свържете маркуча за мръсната вода, без да го прегъвате, към канализационната тръба или към тръбата за отвеждане в стената, разположени на височина между 65

и 100 см от пода, или го подпрете на ръба на мивката или ваната,



свързвайки доставения водач към крана (вж. фигурата). Свободният край на маркуча за мръсната вода не трябва да бъде потопен във водата.

! Не се препоръчва използването на удължителни маркучи. Ако е необходимо, удължителят трябва да има същия диаметър като оригиналния и да не надвишава 150 см.

Свързване към електрическата мрежа

Преди да свържете щепсела в контакта, проверете дали:

- контактът е заземен съгласно действащите стандарти;
- контактът може да поеме максималната мощност на натоварване на машината, указана в таблицата с техническите данни (вж следващата страница);
- захранващото напрежение е в границите на указаното в таблицата с техническите данни (вж следващата страница);
- контактът отговаря на щепсела на пералната машина. В противен случай заменете щепсела или контакта.

! Пералната машина не се монтира на открито, дори под навес, защото е много опасно да се остави на влиянието на атмосферните условия.

! За монтираната перална машина електрическият контакт трябва да бъде лесно достъпен.

! Не използвайте удължители или разклонители.

! Кабелът не трябва да бъде огънат или сплескан.

! Захранващият кабел трябва да се подменя само от оторизирани техници. Внимание! Фирмата отхвърля всякаква отговорност в случаите, в които тези норми не се спазват.

Първо пране

След инсталиране и преди употреба включете един цикъл на изпиране с перилен препарат, но без дрехи, задавайки програма 2.

Технически данни

Модел	EWD 61052
Размери	ширина 59,5 см височина 85 см дълбочина 51,7 см
Вместимост	от 1 до 6 кг.
Електрическо захранване	Виж табелката с характеристиките, поставена на машината
Захранване с вода	максимално налягане 1 MPa (10 bar) минимално налягане 0,05 MPa (0,5 bar) обем на казана 40 литра
Скорост на центрофугата	до 1000 оборота/минута
Програми за проверка съгласно Регламенти № 1061/2010 и № 1015/2010 на Комисията	програма 14; Еко памук 60°C. програма 14; Еко памук 40°C.
 	Пералната машина съответства на следните Европейски директиви: - EMC 2014/30/EU (за електромагнитна съвместимост) - LVD 2014/35/EU (за ниско напрежение) - 2012/19/EU - WEEE

Поддръжка и почистване

BG

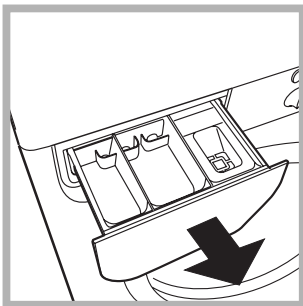
Спиране на водата и изключване на електрозахранването

- Затваряйте крана за вода след всяко изпиране. По този начин се ограничава износването на хидравличната инсталация на пералната машина и се ограничава опасността от течове.
- Изключвайте щепсела от електрическото захранване, когато почиствате пералната машина и по време на работи по поддръжката.

Почистване на пералната машина

Външната част и гумените части могат да се почистват с кърпа с хладка вода и сапун. Не използвайте разтворители или абразивни препарати.

Почистване на чекмеджето за перилните препарати



Извадете чекмеджето с повдигане и изтегляне навън (виж *фигурата*).

Измийте го под течаща вода. Това почистване трябва да се извършва често.

Поддръжка на люка и на барабана

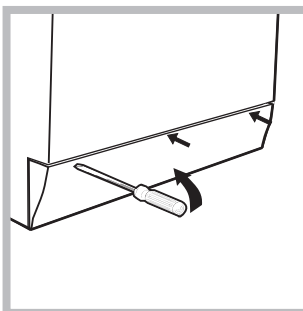
- Оставяйте люка винаги открит за избягване образуването на неприятни миризми.

Почистване на помпата

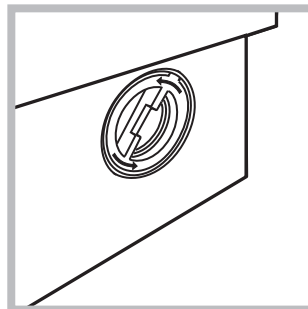
Пералната машина е окомплектована със самопочистваща се помпа, която няма нужда от поддръжка. Възможно е обаче малки предмети (монети, копчета) да попаднат във филтъра, който предпазва помпата и се намира в долната ѝ част.

! Уверете се, че цикълът на пране е завършил, и изключете щепсела от контакта.

За достъп до филтъра:



1. свалете панела в предната част на пералната машина с помощта на отвертка (вж. *фигура*);



2. отвийте капачката, като я завъртите в посока, обратна на часовниковата стрелка (виж *фигура*): нормално е да изтече малко вода;

3. почистете внимателно отвътре;

4. завийте отново капачката;

5. затворете отново панела, като, преди да го избутате към пералнята, се уверите, че сте поставили правилно закрепващите куки в специалните водачи.

Проверка на маркуча за студената вода

Проверявайте маркуча за студената вода поне веднъж годишно. Да се замени, ако е напукан и нацепен, защото по време на изпиране голямото налягане може да предизвика внезапно спукване.

! Никога не използвайте вече употребяван маркуч.

! Пералната машина е проектирана и произведена в съответствие с международните норми за безопасност. Предупрежденията тук са продиктувани по причини за безопасност и трябва да се четат внимателно.

Общи предохранителни мерки

- Този уред е предназначен изключително за домашна употреба.
- Този уред може да бъде използван от деца над 8 години и лица с ограничени физически, сетивни или умствени способности, или с недостатъчен опит и познания, ако те са наблюдавани или инструктирани относно използването на уреда от лице, отговорно за тяхната безопасност и разбират опасностите, свързани с употребата на уреда. Децата не трябва да си играят с уреда. Поддръжката и почистването не трябва да се извършват от деца без надзор.
- Пералната машина трябва да се използва само от възрастни хора съгласно инструкциите, предоставени в тази книжка.
- Не докосвайте машината, когато сте боси или с мокри или влажни ръце или крака.
- Изключвайте от контакта, като хващате за щепсела, а не като дърпате кабела.
- Не отваряйте чекмеджето с перилните препарати, докато пералната машина работи.
- Не докосвайте маркуча за мръсната вода, защото може да достигне високи температури.
- Никога не отваряйте люка със сила, защото може да се повреди механизма за безопасност, който предпазва от случайно отваряне.
- В случай на повреда по никакъв повод не достигайте до вътрешните механизми в опити за ремонт.
- Винаги контролирайте децата да не се доближават до работещата машина.
- По време на изпирането люкът се нагрива.
- Преместването да се извършва внимателно от двама или трима души. Никога от сам човек, защото пералната машина тежи много.
- Преди да заредите машината, проверете дали барабанът е празен.

Рециклиране

- Унищожаване на опаковъчния материал: спазвайте местните норми – по този начин опаковъчният материал може да се рециклира.
- Европейската директива 2012/19/EU - WEEE за отпадъците от електрическо и електронно оборудване предвижда домакинските електроуреди да не се изхвърлят заедно с обичайните твърди градски отпадъци. Извадените от употреба уреди трябва да бъдат събирани отделно с цел да бъде увеличен

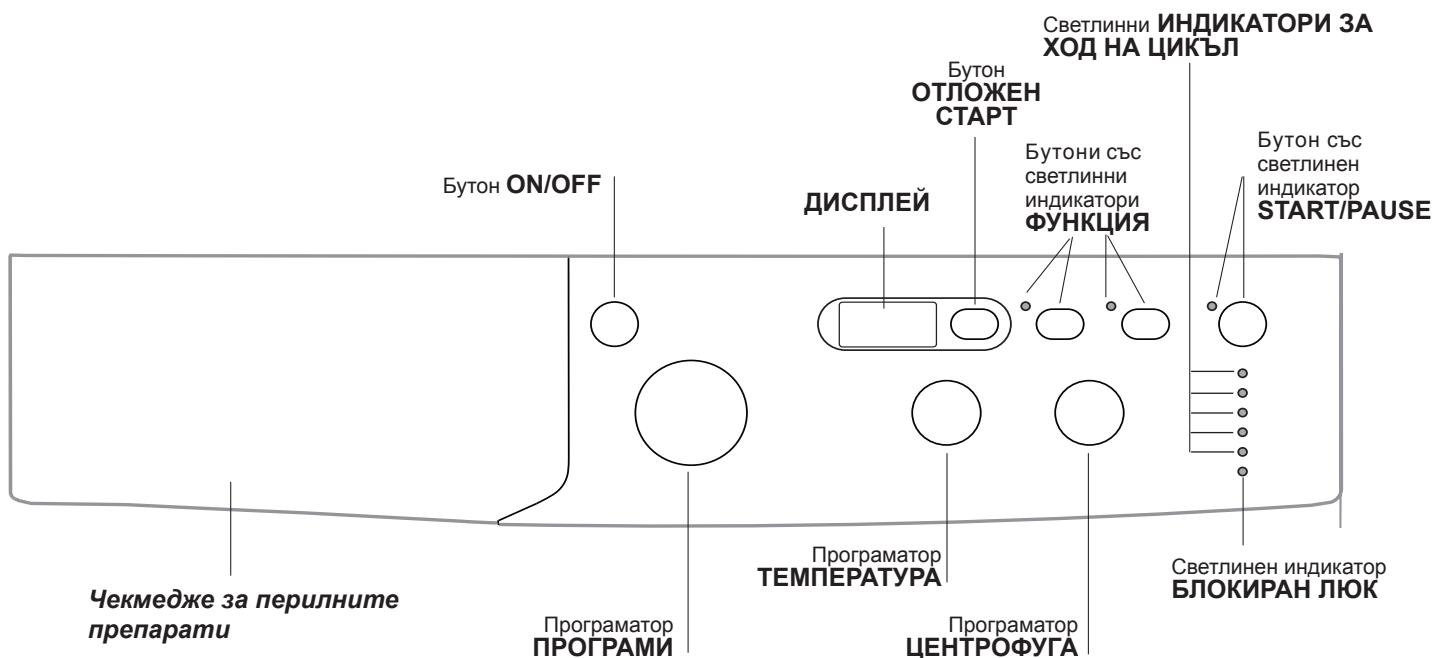
делът на подлежащите на повторна употреба и рециклиране материали, от които са направени, както и да бъдат избегнати евентуални вреди за здравето и околната среда. Символът “зачеркнато кошче” е поставен върху всички продукти, за да напомня за задължителното разделно събиране.

За допълнителна информация относно правилното изваждане от употреба на домакинските електроуреди, интересуващите се могат да се обърнат към службата за събиране на отпадъци или към дистрибуторите.

Описание на пералната машина и пускането на дадена програма

BG

Табло за управление



Чекмедже за перилните препарати: за дозиране на перилните препарати и добавките (вж. “Перилни препарати и дрехи за пране”).

Бутон ON/OFF: за включване и изключване на пералнята.


Програматор ПРОГРАМИ: за задаване на програмите. По време на изпълнение на програмата ключът остава неподвижен.

Бутони със светлинни индикатори ФУНКЦИЯ: за селектиране на възможните функции. Светлинният индикатор за избраната функция ще продължи да свети.

Програматор ЦЕНТРОФУГА: за задаване на центрофуга или за изключването ѝ (вж. “Персонализираня”).

Програматор ТЕМПЕРАТУРА: за задаване на температура или пране със студена вода (вж. “Персонализираня”).


ДИСПЛЕЙ: за показване продължителността на програмите, а при пуснат в действие цикъл да показва времето, което остава до завършването му; в случай, че е било зададено ОТЛОЖЕН СТАРТ, ще показва времето, оставащо до включване на избраната програма.

Бутон ОТЛОЖЕН СТАРТ : натиснете, за да зададете забавен старт за избраната програма – закъснението ще се появи на дисплея.

Светлинни ИНДИКАТОРИ ЗА ХОД НА ЦИКЪЛ: за да следвате хода на изпълнение на програмата за пране. Включеният светлинен индикатор показва, че се извършва определена фаза от цикъла.

Светлинен индикатор БЛОКИРАН ЛЮК: за да се разбере дали люкът може да се отвори (вж. *съседната страница*).

Бутон със светлинен индикатор START/PAUSE: за стартиране на програмите или временното им прекъсване.

Забележка: за задаване на пауза в прането натиснете отново бутона - индикаторът ще мига с оранжева светлина, докато светлинният индикатор, указващ изпълнение на фаза, ще свети непрекъснато. Ако светлинният индикатор БЛОКИРАН ЛЮК  е угаснал, ще може да се отвори вратата на люка (изчакайте около 3 минути).

За продължаване на цикъла пране от мястото, в което е бил прекъснат, натиснете отново този бутон.

Режим на stand by

В съответствие с новите нормативи за пестене на енергия тази перална машина е снабдена със система за автоматично изключване (stand by), която се задейства след 30 минути в случай, че машината не се използва. Натиснете за кратко бутон ON-OFF. и изчакайте машината да се задейства отново.






Светлинни индикатори

Следящите светлинни индикатори дават важна информация.

Ето какво казват:

Светлинни индикатори за текущите фази

След като е избран и стартиран желаният цикъл на пране, светлинните индикатори ще светват един след друг, за да указват хода на цикъла:

Пране	
Изплакване	
Центрофуга	
Източване на водата	
Край на прането	


Бутони за функция и съответни светлинни индикатори

При избор на функция съответният светлинен индикатор ще светне. Ако избраната функция не е съвместима със зададената програма, съответният светлинен индикатор ще мига и функцията няма да се активира. Ако избраната функция не е съвместима с друга предварително зададена, светлинният индикатор, съответстващ на първата избрана функция, мига и се активира само втората, като индикаторът на активираната функция светва.

Светлинен индикатор блокиран люк

Светещият светоиндикатор показва, че люкът е блокиран, за да се възпрепятства отварянето му; за да отворите люка изчакайте светоиндикатора да угасне; (изчакайте около 3 минути). За отваряне на люка по време на пране се натиска бутон START/PAUSE; може да отворите люка, ако светоиндикаторът БЛОКИРАН ЛЮК е угаснал.

Включване на програма

1. Включете пералнята, като натиснете бутона ON/OFF. Всички индикатори ще се включат и ще светят в продължение на няколко секунди, след което ще угаснат и ще свети с пулсираща светлина индикаторът START/PAUSE.
2. Заредете дрехите за пране и затворете люка.
3. Задайте желаната програма с ключа ПРОГРАМИ.
4. Задайте температурата на пране (вж. "Персонализираня").
5. Задайте скоростта на центрофугиране (вж. "Персонализираня").
6. Поставете перилен препарат и добавки вж. "Перилни препарати и дрехи за пране".
7. Избиране на желаните функции.
8. Включете програмата, като натиснете бутона START/PAUSE, съответният светлинен индикатор ще свети постоянно в зелен цвят. За да отмените зададения цикъл, поставете машината в пауза, като натиснете бутона START/PAUSE, и изберете новия цикъл.
9. Когато програмата свърши, ще светне индикаторът END. Когато светоиндикаторът БЛОКИРАН ЛЮК  угасне, може да отворите люка (изчакайте около 3 минути). Извадете прането и оставете люка притворен, за да изсъхне барабанът. Изключете пералнята, като натиснете бутона ON/OFF.

Програми

Таблица с програмите

Програми	Описание на програмата	Макс. температура (°C)	Макс. скорост (обороты в минута)	Перилни препарати			Зареждане макс. (кг)	Остатъчна влажност %	Разход на енергия kWh	Общ разход на вода lt	Продължителност на цикъла
				Пред-ране	Основно пране	Омеко-тител					
EVERYDAY FAST											
1	Смесено Цветно 59'	40°	1000	-	●	●	6	-	-	-	59'
2	Памук 59'	60°	1000	-	●	●	6	-	-	-	59'
3	Синтетика 59'	30°	1000	-	●	●	3	-	-	-	59'
4	Ежедневно 45'	40°	1000	-	●	●	3	-	-	-	45'
5	Смесено пране 30'	30°	800	-	●	●	3	70	0,17	31	30'
Special&Partial											
6	Спортно облекло	40°	600	-	●	●	3	-	-	-	**
7	Бяло Пране: Бели и цветни, устойчиви, силно замърсени.	60° (Max.90°)	1000	●+90°	●	●	6	-	-	-	**
8	Бебе	40°	800	-	●	●	2	-	-	-	**
9	Изплакване	-	1000	-	-	●	6	-	-	-	**
10	Центрофуга + Изпотпване	-	1000	-	-	-	6	-	-	-	**
10	Само източване на водата *	-	⊘	-	-	-	6	-	-	-	**
Dedicated											
11	Пухени якета и завивки: За дрехи и завивки, подплатени с гъши пух.	30°	1000	-	●	●	1,5	-	-	-	**
12	Вълнени тъкани: За вълна, кашмир и т.н.	40°	800	-	●	●	1	-	-	-	**
13	Коприна/Пердета: За дрехи от коприна, вискоза, фино бельо.	30°	0	-	●	●	1	-	-	-	**
14	Еко Памук 60°C (1): Бели и цветни, устойчиви, силно замърсени.	60°	1000	-	●	●	6	62	0,90	50,0	240'
14	Еко Памук 40°C (2): Бели и цветни, неустойчиви, малко замърсени.	40°	1000	-	●	●	6	62	0,97	63	230'
15	Памук (3): Бели и цветни, неустойчиви, малко замърсени.	40° (Max.60°)	1000	-	●	●	6	62	0,97	63	230'
16	Синтетика (4): цветни, устойчиви, силно замърсени.	40° (Max.60°)	1000	-	●	●	3	44	0,68	45	115'

* С избирането на програма 10 и изключването на центрофугата пералнята само ще източни водата

** На дисплея може да се контролира времетраенето на цикъла на пране.

Продължителността на цикъла, показана на дисплея или посочена в ръководството, е приблизително изчислена въз основа на стандартните условия. Реалното времетраене може да варира в зависимост от множество фактори като температура и налягане на водата при пълнене, температура на въздуха в помещението, количество перилен препарат, количество, вид и тегло на прането, допълнително избрани опции.

1) Програма за проверка съгласно стандарт 1061/2010: задайте програма 14 с температура 60 °C.

Този цикъл е подходящ за пране на памучни, нормално замърсени тъкани и е най-ефективен от гледна точка на комбиниран разход на енергия и вода, подходящ е за дрехи, които могат да се перат на 60 °C.

2) Програма за проверка съгласно стандарт 1061/2010: задайте програма 14 с температура 40 °C .

Този цикъл е подходящ за пране на памучни, нормално замърсени тъкани и е най-ефективен от гледна точка на комбиниран разход на енергия и вода, подходящ е за дрехи, които могат да се перат на 40 °C.

За всички Test Institutes:

3) Дълга програма за памук; задайте програма 15 с температура 40 °C.

4) Дълга програма за синтетични тъкани: задайте програма 16 с температура 40 °C.

Бързи всекидневни цикли

Пълен набор от бързи програми за изпиране при максимално зареждане на пералната машина с най-често използваните видове тъкани и за отстраняване на най-често срещания тип ежедневно замърсяване за по-малко от 1 час.

Смесено Цветно 59': за едновременно изпиране на смесено и цветно пране.

Памук 59': цикъл, предназначен за изпиране на памучни тъкани, предимно бели. Може да се ползва и с перилен препарат на прах.

Синтетика 59': специално за изпиране на синтетични тъкани. При наличие на по-упорито замърсяване температурата може да бъде увеличена до 60° и да се използва и перилен препарат на прах.

Ежедневно 45': кратък цикъл, предназначен за изпиране на деликатно памучно пране.

Смесено пране 30': кратък цикъл, предназначен за изпиране на смесено пране от памучна и синтетична материя, едновременно бяло и цветно.

Задаване на температурата

Завъртайки ключа ТЕМПЕРАТУРА, се задава температурата на пране (вж. Таблица на програмите).

Температурата може да се понижи до пране със студена вода (❄).

Пералнята автоматично ще попречи да се зададе температура, която е по-висока от максималната температура, предвидена за всяка програма.

! Изключение: с избиране на програма **7** температурата може да се повиши до 90°.

! Изключение: с избиране на програма **15** температурата може да се повиши до 60°.

! Изключение: с избиране на програма **16** температурата може да се повиши до 60°.

Задаване на центрофугата

Завъртайки ключа ЦЕНТРОФУГА, се задава скоростта на центрофугиране за избраната програма.

Максималните предвидени скорости за програмите са:

Програми	Максимална скорост
Памучни	1000 оборота в минута
Синтетични тъкани	1000 оборота в минута
Вълна	800 оборота в минута
Коприна,	само източване

Скоростта на центрофугиране може да се намали или да се изключи, като се избере символът (⊘).

Пералнята автоматично ще попречи да се центрофугира със скорост, по-висока от максимално предвидената за всяка програма.

Функции

Допълните функции за пране, предвидени в пералната машина, дават възможност за постигане на желаното бяло и чисто пране:

За активиране на възможните функции;

1. натиснете бутона, съответстващ на желаната функция;
2. светването на съответния индикатор показва, че функцията е избрана.

Бележка:

- Ако избраната функция не е съвместима със зададената програма, съответният светлинен индикатор ще мига и функцията няма да се активира.

- Ако избраната функция не е съвместима с друга предварително зададена, светлинният индикатор, съответстващ на първата избрана функция, мига и се активира само втората, като индикаторът на активираната функция светва.

Отложен Старт

За задаване на отложен старт на избрана програма натиснете съответния бутон до достигане на желаното време за закъснение. Когато е активна тази опция, на дисплея ще светне символът (🕒). За отказ от отложено стартиране натискайте бутона, докато на дисплея се изпише "OFF".

Extra Wash [❄]

За силно замърсено пране активирайте опция Extra Wash [❄], където е съвместима. С избора на тази опция цикълът автоматично съобразява всички параметри на изпиране, като преминава на по-продължителен цикъл. Опцията запазва температурата непроменена, докато центрофугата автоматично се увеличава до максималната степен. Потребителят винаги може да пренастрои центрофугата на желаната степен.

Energy Saver [🌿]

Опцията [🌿]Energy Saver ви позволява изпирането на памучно и синтетично пране при пестене на енергия и съответно в помощ на околната среда. Спестяването произтича от изпирането със студена вода, докато чрез по-интензивното механично действие и оптимизираното разходване на водата отново се постига желаният резултат. Предназначено е за слабо замърсени дрехи. Препоръчва се използването на течен перилен препарат.

Перилни препарати и дрехи за пране

BG

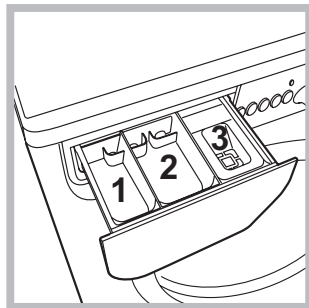
Чекмедже за перилните препарати

Добрият резултат от прането зависи и от правилното дозиране на перилните препарати. с предозирание не се пере по-ефикасно, а това води до отлагане на налепи по вътрешната страна на пералната машина и до замърсяване на околната среда.

! Не използвайте препарати за ръчно пране, защото образуват много пяна.

! Използвайте прахообразни перилни препарати за бели памучни тъкани за предпране и за пране при температура над 60°C.

! Уверете се, че следвате указанията, посочени върху опаковката на перилния препарат.



Изтеглете чекмеджето за перилните препарати и изсипете праха за пране и допълнителните препарати по следния начин.

отделение 1: Препарат за предпране (на прах)

отделение 2: Препарат за пране (на прах или течен)

Течният препарат се изсипва преди включването на машината.

отделение 3: Допълнителни препарати (омекотител и др.)
Омекотителят не трябва да излиза извън решетката.

Бележка: В случай на използване на „перилен препарат на таблетки“ винаги се препоръчва спазването на указанията на производителя.

Подготвяне на прането

- Разпределете прането съобразно:
 - типа на тъканите/символа върху етикета.
 - цветовете: отделете цветните от белите дрехи.
- Изпразнете джобовете и проверете копчетата.
- Не надвишавайте указаните стойности в „Таблица с програмите“, отнасящи се за теглото на сухото пране.

Колко тежат дрехите за пране?

- 1 чаршаф 400-500 г
- 1 калъфка 150-200 г
- 1 покривка 400-500 г
- 1 хавлия 900-1200 г
- 1 кърпа 150-250 г

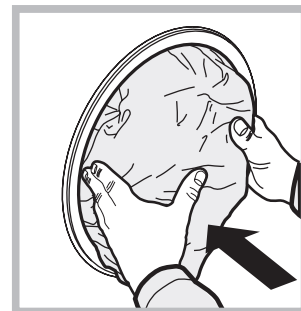
Специфично пране


Спортно облекло: цикълът е подходящ за изпиране на цялата спортна екипировка заедно, включително на хавлията за фитнес, като тъканите се запазват (спазвайте указанията, посочени на етикетите).

Бебе: цикъл, предназначен за отстраняване на типичното за детските дрехи замърсяване, като премахва по-ефективно и евентуалните остатъци от перилен препарат.

Пухени якета и завивки: за пране на дрехи и завивки с подплата от гъши пух, като единични пухени завивки (не по-тежки от 1,5 кг), възглавници, якета използвайте специалната програма 11.

Препоръчва се пухените завивки да се поставят в барабана, като краищата им се подгънат навътре (*вижте фигурите*) и да не се превишават $\frac{3}{4}$ от обема на самия барабан. За оптимално изпиране се препоръчва използване на течен перилен препарат, който се дозира в чекмеджето за перилния препарат.



Вълнени тъкани: С програма 12 е възможно да се перат в пералня всякакви вълнени дрехи, също и тези с етикет “само за ръчно пране” . За постигане на по-добри резултати използвайте специален перилен препарат и не надвишавайте 1 kg пране.

Коприна: използвайте специалната програма 13 за пране на всички дрехи от коприна. За деликатните тъкани се препоръчва използването на специален вид перилен препарат.

Пердета: препоръчва се да се сгънат и поставят в доставената торбичка. Използвайте програма 13.

Система за измерване на товара

Преди всяко центрофугиране, с цел избягване на прекалени вибрации и за равномерно разпределяне на товара, барабанът се завърта с малко по-висока от тази при прането скорост. Ако след направените последователни опити товарът все още не е перфектно разпределен, машината извършва центрофугиране при скорост, по-ниска от предвидената. При наличие на прекален дебалансирание пералнята извършва разпределението вместо центрофугата. За улесняване на по-доброто разпределение на товара и правилното му балансиране се препоръчва да се смесват дрехи за пране с големи и малки размери.

Проблеми и мерки за отстраняването им

Възможно е пералната машина да откаже да работи. Преди да се обадите в сервиза за техническа поддръжка и ремонт (вж. “Сервизно обслужване”), проверете дали не става въпрос за лесно решим проблем, като си помогнете със следващия списък.

Проблеми:

Възможни причини / Мерки за отстраняването им:

Пералната машина не се включва.

- Щепселът не е включен към електрически контакт или не е добре включен, за да прави контакт.
- Няма ток вкъщи.

Цикълът на изпиране не започва.

- Люкът не е затворен добре.
- Бутонът ON/OFF не е бил натиснат.
- Бутонът START/PAUSE не е бил натиснат.
- Кранът за вода не е отворен.
- Зададено е забавяне, което се е насложило върху времето за пускане (вж. “Персонализираня”).

Пералната машина не се пълни с вода ((на дисплея се показва мигащ надпис H2O).

- Маркучът за студената вода не е свързан към крана.
- Маркучът е прегънат.
- Кранът за вода не е отворен.
- Няма вода по водопроводната мрежа.
- Налягането е недостатъчно.
- Бутонът START/PAUSE не е бил натиснат.

Пералнята непрекъснато се пълни и източва.

- Маркучът за мръсната вода не е монтиран между 65 и 100 см от земята (вж. “Монтиране”).
- Краят на маркуча за мръсната вода е потопен във вода (вж. “Монтиране”).
- Канализационната тръба в стената няма отдушник.

Ако след тези проверки проблемът не се реши, затворете крана за водата, изключете пералната машина и позвънете в сервиза. Ако жилището ви се намира на последните етажи на сградата, налягането на студената вода може да е ниско, поради което пералната машина непрекъснато се пълни и източва. За избягване на това неудобство в търговската мрежа се предлагат подходящи възвратни клапани.

Пералната не се източва или не центрофугира.

- Програмата не предвижда източване: с някои програми трябва да се извършва ръчно.
- Маркучът за мръсната вода е притиснат (вж. “Монтиране”).
- Канализационната тръба е запушена.

Пералната вибрира много по време на центрофугиране.

- При монтажа барабанът не е бил отблокиран правилно (вж. “Монтиране”).
- Пералната машина не е нивелирана (вж. “Монтиране”).
- Пералната машина е притисната между мебели и стена (вж. “Монтиране”).

Пералната има теч.

- Маркучът за студената вода не е добре свързан (вж. “Монтиране”).
- Чекмеджето за перилните препарати е запушено (за почистването му вж. “Поддръжка и почистване”).
- Маркучът за мръсната вода не е фиксиран добре (вж. “Монтиране”).

Светлинните индикатори на “опциите” и светлинният индикатор на “START/PAUSE” мигат и един от светлинните индикатори на “текуща фаза от програмата” и на “блокиран люк” светят постоянно.

- Изключете машината и извадете щепсела от контакта, изчакайте около 1 минута и я включете отново. Ако неизправността не може да се отстрани, потърсете услугите на Сервиза.

Образува се твърде много пяна.

- Перилният препарат не е за автоматична перална (трябва да има надпис “за автоматична перална”, “за пране на ръка и за автоматична перална” или подобен надпис).
- Дозирането е било твърде голямо.

Преди да се свържете с техническия сервиз:

- Проверете дали можете да решите сами проблема (вж. "Проблеми и мерки за отстраняването им");
- Включете отново програмата, за да проверите дали неизправността е отстранена;
- В противен случай се обърнете към оторизирания технически сервиз на телефонния номер, указан на гаранционната карта.

! Никога не ползвайте услугите на неоторизирани техници.

Съобщете:

- типа на проблема;
- модела на машината (Mod.);
- серийния номер (S/N).

Тази информация се намира на фабричната табелка, разположена на задната страна на пералната машина и в предната част, след като се отвори люкът.

ДЕЛЕГИРАН РЕГЛАМЕНТ (ЕС) № 1061/2010 НА КОМИСИЯТА	
Марка	INDESIT
Модел	EWD 61052 W EU/1
Капацитет на памучно пране в кг	6
Енергиен клас от A+++ (ниска консумация) до G (висока консумация)	A++
Годишна консумация на енергия (kWh) ¹⁾	173
Консумация на енергия при стандартна програма памук 60°C при пълно зареждане в kWh ²⁾	0.907
Консумация на енергия при стандартна програма памук 60°C при частично зареждане в kWh ²⁾	0.668
Консумация на енергия при стандартна програма памук 40°C при частично зареждане в kWh ²⁾	0.584
Консумация на енергия (W) в режим "OFF" (изключено)	0.5
Консумация на енергия (W) в режим "ON" (включено)	8
Годишна консумация на вода в литри ³⁾	8400
Клас на изсушаване от G (ниска ефективност) до A (висока ефективност)	C
Максимални обороти на центрофугата ⁴⁾	1000
Съдържание на остатъчна влажност ⁵⁾	62.0%
Продължителност в минути на стандартна програма памук 60 °C при пълно зареждане	240
Продължителност в минути на стандартна програма памук 60 °C при частично зареждане	190
Продължителност в минути на стандартна програма памук 40 °C при частично зареждане	185
Продължителност в минути при преминаване от работен режим в режим на изчакване	30
Съдържание на остатъчна влажност ⁶⁾	60
Ниво на шум в dB(A) ге 1 pW при пране ⁶⁾	80
Модел за вграждане	

¹⁾ Информацията на енергийния стикер и описанието на продукта се отнася за стандартна програма памук 60°C при пълно и частично зареждане и стандартна програма памук 40°C при частично зареждане. Стандартните програми памук 60°C и 40°C са подходящи за пране на нормално замърсени памучни тъкани и са най-ефективни по отношение консумацията на енергия и вода. Частичното зареждане е половината от максималния капацитет на пране.

²⁾ Базирано на 220 стандартни цикъла на пране на памучни тъкани при 60°C и 40°C при пълно и частично зареждане и при консумация на нисък режим на мощност. Реалната консумация на енергия зависи от това как се използва уреда.

³⁾ Базирано на 220 стандартни цикъла на пране на памучни тъкани при 60°C и 40°C при пълно и частично зареждане. Реалната консумация на вода зависи от това как се използва уреда.

⁴⁾ По-ниската стойност между стандартни програми 60 °C при пълно и частично зареждане или 40°C при частично зареждане.

⁵⁾ По-високата стойност получена при програми памук 60 °C при пълно или частично зареждане или 40°C при частично зареждане.

⁶⁾ Базирано на фазите на пране и центрофугиране за стандартна програма памук 60°C при пълно зареждане.

İthalatçı Firma:

Indesit Company Beyaz Eşya PAZARLAMA A.Ş.

Balmumcu Cad. Karahasan Sok.

No: 11, 34349– Balmumcu Beşiktaş – İstanbul

Tel: (0212) 355 53 00