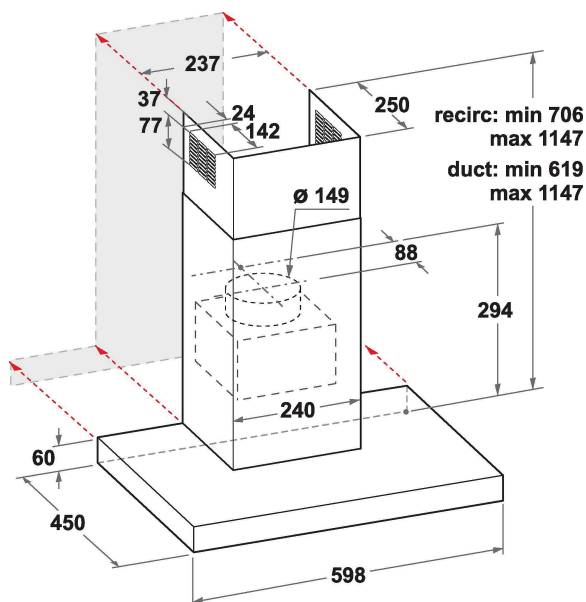


IHBS63FLMK

12NC: F167476

GTIN (EAN) code: 8050147674765

 **INDESIT**



MAIN FEATURES

Product group	Napa
Colour body	Crna
Material body	Stainless steel
Colour chimney	Crna
Material chimney	Aluminium painted
Typology	Zidna
Installation type	Ugradbeni
Type of control	Mechanical
Type of control settings	-
Decor panel options	-
Motor location	Integrated motor in hood body
Operating Mode	Convertible
Electrical connection rating (W)	180
Current (A)	0,78
Voltage (V)	220-240
Frequency (Hz)	50/60
Length of Electrical Supply Cord (cm)	150
Plug type	Schuko
Chimney height (mm)	-
Height of product, without chimney (mm)	310
Height of the product	1147
Width of the product	698
Depth of the product	450
Minimum niche height	0
Minimum niche width	0
Niche depth	0
Net weight (kg)	11.1

TECHNICAL FEATURES

Type of manual control devices	Buttons
Type of automatic control devices	-
Number of motors	1
Total power of the motors (W)	175
Number of speed settings: boost option availability	3
Boost presence	Ne
Maximum output air extraction (m ³ /h)	581
Boost position air extraction (m ³ /h)	0
Maximum output recirculating air (m ³ /h)	320
Boost position output recirculating (m ³ /h)	0
Light Control Type	On/Off
Number of lights	2
Type of lamps used	LED
Total power of the lamps (W)	5
Diameter of air outlet (mm)	150
No-return airflow flap	Yes
Grease filter material	Washable aluminium
Odour filter	Ne

ENERGY LABEL

Sound power at min. speed (2010/30/EU)	47
Sound power at max. speed (2010/30/EU)	68
Noise level with boost position (dB(A) re 1 pW)	68