

SAFETY INSTRUCTIONS

⚠ These instructions are valid if the country symbol appears on the appliance. If the symbol doesn't appear on the appliance, it is necessary to refer to the technical instructions which will provide the necessary instructions concerning modification of the appliance to the conditions of use of the country.

⚠ CAUTION: The use of the gas cooking appliance results in the production of heat, moisture and products of combustion in the room in which it is installed. Ensure that the kitchen is well ventilated especially when the appliance is in use: keep natural ventilation holes open or install a mechanical ventilation device (mechanical extractor hood). Prolonged intensive use of the appliance may call for additional ventilation, such as opening a window, or more effective ventilation, for example increasing the level of mechanical ventilation (if possible).

⚠ Failure to follow the information in this manual exactly may cause a fire or explosion, resulting in property damage or personal injury.

Before using the appliance, read these safety instructions. Keep them nearby for future reference.

These instructions and the appliance itself provide important safety warnings, to be observed at all times. The manufacturer declines any liability for failure to observe these safety instructions, for inappropriate use of the appliance or incorrect setting of controls.

⚠ WARNING: If the hob surface is cracked, don't use the appliance – risk of electrical shock.

⚠ WARNING: Danger of fire: Do not store items on the cooking surfaces.

⚠ CAUTION: The cooking process has to be supervised. A short cooking process has to be supervised continuously.

⚠ WARNING: Unattended cooking on a hob with fat or oil can be dangerous – risk of fire. NEVER try to extinguish a fire with water, but switch off the appliance and then cover flame e.g. with a lid or a fire blanket.

⚠ Do not use the hob as a work surface or support. Keep clothes or other flammable materials away from the appliance, until all the components have cooled down completely – risk of fire.

⚠ Very young children (0-3 years) should be kept away from the appliance. Young children (3-8 years) should be kept away from the appliance unless continuously supervised. Children from 8 years old and above and persons with reduced physical, sensory or mental capabilities or lack of experience and knowledge can use this appliance only if they are supervised or have been given instructions on safe use and understand the hazards involved. Children must not play with the appliance. Cleaning and user maintenance must not be carried out by children without supervision.

⚠ CAUTION: In case of hotplate glass breakage: shut immediately off all burners and any electrical heating element and isolate the appliance from the power

IMPORTANT TO BE READ AND OBSERVED

supply; do not touch the appliance surface; do not use the appliance.

The glass lid can break in if it is heated up. Turn off all the burners and the electric plates before closing the lid. Do not shout down lid when burner alight.

⚠ WARNING: The appliance and its accessible parts become hot during use. Care should be taken to avoid touching heating elements. Children less than 8 years of age must be kept away unless continuously supervised.

⚠ The food must not be left in or on the product for more than one hour before or after cooking.

PERMITTED USE

⚠ CAUTION: the appliance is not intended to be operated by means of an external switching device, such as a timer, or separate remote controlled system.

⚠ This appliance is intended to be used in household and similar applications such as: staff kitchen areas in shops, offices and other working environments; farm houses; by clients in hotels, motels, bed & breakfast and other residential environments.

⚠ No other use is permitted (e.g. heating rooms).

⚠ This appliance is not for professional use. Do not use the appliance outdoors.

⚠ Use pots and pans with bottoms the same width as that of the burners or slightly larger (see specific table). Make sure pots on the grates do not protrude beyond the edge of the hob.

⚠ Improper use of the grids can result in damage to the hob: do not position the grids upside down or slide them across the hob.

Do not let the burner flame extend beyond the edge of the pan.

If the hob surface is in glass material, do not use the cast iron griddles, ollar stones, terracotta pots and pans.

Do not use: heat diffusers such as metal mesh, or any other types; two burners simultaneously for one receptacle (e.g. Fish kettle).

Should particular local conditions of the delivered gas make the ignition of burner difficult, it is advisable to repeat the operation with the knob turned to small flame setting.

In case of installation of a hood above the cooktop, please refer to the hood instructions for the correct distance.

The protective rubber feet on the grids represent a choking hazard for young children. After removing the grids, please ensure that all the feet are correctly fitted.

INSTALLATION

⚠ The appliance must be handled and installed by two or more persons - risk of injury. Use protective gloves to unpack and install - risk of cuts.

⚠ The electrical and gas connections must comply with local regulation.

⚠ Installation, including water supply (if any) and electrical connections, and repairs must be carried out by a qualified technician. Do not repair or replace any part of the appliance unless specifically stated in the user manual. Keep children away from the installation site. After unpacking the appliance, make sure that it has not been damaged during transport. In the event of problems, contact the dealer or your nearest After-sales Service. Once installed, packaging waste (plastic, styrofoam parts etc.) must be stored out of reach of children - risk of suffocation. The appliance must be disconnected from

the power supply before any installation operation - risk of electrical shock. During installation, make sure the appliance does not damage the power cable - risk of fire or electrical shock. Only activate the appliance when the installation has been completed.

⚠ **WARNING:** Modification of the appliance and its method of installation are essential in order to use the appliances safely and correctly in all the additional countries.

⚠ Use pressure regulators suitable for the gas pressure indicated in the instruction.

⚠ The room must be equipped with an air extraction system that expels any combustion fumes.

⚠ The room must also allow proper air circulation, as air is needed for combustion to occur normally. The flow of air must not be less than 2 m³/h per kW of installed power.

⚠ The air circulation system may take air directly from the outside by means of a pipe with an inner cross section of at least 100 cm²; the opening must not be vulnerable to any type of blockages.

⚠ The system can also provide the air needed for combustion indirectly, i.e. from adjacent rooms fitted with air circulation tubes as described above. However, these rooms must not be communal rooms, bedrooms or rooms that may present a fire hazard.

⚠ Liquid petroleum gas sinks to the floor as it is heavier than air. Therefore, rooms containing LPG cylinders must also be equipped with vents to allow gas to escape in the event of a leak. As a result LPG cylinders, whether partially or completely full, must not be installed or stored in rooms or storage areas that are below ground level (cellars, etc.). It is advisable to keep only the cylinder being used in the room, positioned so that it is not subject to heat produced by external sources (ovens, fireplaces, stoves, etc.) which could raise the temperature of the cylinder above 50°C.

Should you experience difficulty in turning the burner knobs, please contact After Sales Service for replacement of the burner tap if found to be faulty.

The openings used for the ventilation and dispersion of heat must never be covered.

⚠ Carry out all cabinet cutting works before fitting the appliance in the furniture and remove all wood chips and sawdust.

⚠ If the appliance is not installed above an oven, a separator panel (not included) must be installed in the compartment under the appliance.

GAS CONNECTION

⚠ **WARNING:** Prior to installation, ensure that the local distribution conditions (type of gas and gas pressure) and the adjustment of the appliance are compatible.

⚠ Check that the pressure of the gas supply is consistent with the values indicated in "Burner and nozzle specifications" table.

⚠ **WARNING:** The configuration conditions for this appliance are stated on the label (or data plate).

⚠ **WARNING:** This appliance is not connected to a combustion products evacuation device. It must be installed and connected in accordance with current installation regulations. Particular attention must be paid to the relevant requirements regarding ventilation.

⚠ If the appliances is connected to liquid gas, the regulation screw must be fastened as tightly as possible.

⚠ **IMPORTANT:** When the gas cylinder or gas container is installed, it must be properly settled (vertical orientation).

⚠ **WARNING:** This operation must be performed by a qualified technician.

⚠ Use only flexible or rigid metal hose for gas connection.

⚠ Connection with a rigid pipe (copper or steel) Connection to the gas system must be carried out in such a way as not to place any strain of any kind on the appliance. There is an adjustable L-shaped pipe fitting on the appliance supply ramp and this is fitted with a seal in order to prevent leaks. The seal must always be replaced after rotating the pipe fitting (the seal is provided with the appliance). The gas supply pipe fitting is a threaded 1/2 gas cylindrical male attachment.

⚠ Connecting a flexible jointless stainless steel pipe to a threaded attachment. The gas supply pipe fitting is a threaded 1/2 gas cylindrical male attachment. These pipes must be installed so that they are never longer than 2000 mm when fully extended. Once connection has been carried out, make sure that the flexible metal pipe does not touch any moving parts and is not compressed. Only use pipes and seals that comply with current National regulations.

⚠ **IMPORTANT:** If a stainless steel hose is used, it must be installed so as not to touch any mobile part of the furniture (e.g. drawer). It must pass through an area where there are no obstructions and where it is possible to inspect it on all its length.

⚠ The appliance should be connected to the main gas supply or to gas cylinder in compliance with the current national regulations. Before making the connection, make sure that the appliance is compatible with the gas supply you wish to use. If this is not the case, follow the instructions indicated in the paragraph "Adapting to different types of gas".

⚠ After connection to the gas supply, check for leaks with soapy water. Light up the burners and turn the knobs from maximum position 1* to minimum position 2* to check flame stability.

ADAPTING TO DIFFERENT TYPES OF GAS

(This operation needs to be carried out by a qualified technician).

⚠ In order to adapt the appliance to a type of gas other than the type for which it was manufactured (indicated on the rating label), follow the dedicated steps provided after installation drawings.

ELECTRICAL WARNINGS

⚠ **IMPORTANT:** Information about current and voltage consumption is provided on the rating plate.

⚠ It must be possible to disconnect the appliance from the power supply by unplugging it if plug is accessible, or by a multi-pole switch installed upstream of the socket in accordance with the wiring rules and the appliance must be earthed in conformity with national electrical safety standards.

⚠ The power cable must be long enough to connect the appliance, once fitted in its housing, to the main power supply. Do not pull the power supply cable.

⚠ Do not use extension leads, multiple sockets or adapters. The electrical components must not be accessible to the user after installation. Do not use the appliance when you are wet or barefoot. Do not operate this appliance if it has a damaged power cable or plug, if it is not working properly, or if it has been damaged or dropped.

⚠ If the supply cord is damaged, it must be replaced with an identical one by the manufacturer, its service agent or similarly qualified persons in order to avoid a hazard - risk of electrical shock.


CLEANING AND MAINTENANCE

⚠ **WARNING:** Ensure that the appliance is switched off and disconnected from the power supply before performing any maintenance operation; never use steam cleaning equipment - risk of electric shock.

⚠ Do not use abrasive or corrosive products, chlorine-based cleaners or pan scourers.

⚠ To avoid damaging the electric ignition device, do not use it when the burners are not in their housing.

DISPOSAL OF PACKAGING MATERIALS


The packaging material is 100% recyclable and is marked with the recycle symbol .

The various parts of the packaging must therefore be disposed of responsibly and in full compliance with local authority regulations governing waste disposal.

DISPOSAL OF HOUSEHOLD APPLIANCES

This appliance is manufactured with recyclable or reusable materials. Dispose of it in accordance with local waste disposal regulations. For further information on the treatment, recovery and recycling of household electrical appliances, contact your local authority, the collection service for household waste or the store where you purchased the appliance. This appliance is marked in compliance with European Directive 2012/19/EU, Waste Electrical and Electronic Equipment (WEEE) and with the Waste Electrical and Electronic Equipment regulations 2013 (as amended).

By ensuring this product is disposed of correctly, you will help prevent negative consequences for the environment and human health.

The symbol  on the product or on the accompanying documentation indicates that it should not be treated as domestic waste but must be taken to an appropriate collection center for the recycling of electrical and electronic equipment.

ENERGY SAVING TIPS

Use pots and pans with bottom width equal to that of the cooking zone.

Only use flat-bottomed pots and pans.

When possible, keep pot lids on during cooking.

Use a pressure cooker to save even more energy and time.

DECLARATION OF CONFORMITY

This appliance meets Ecodesign requirements of European Regulation 66/2014 and The Ecodesign for Energy-Related Products and Energy Information (Amendment) (EU Exit) Regulations 2019 in compliance with the European standard EN 30-2-1.

The information related to low power mode of the appliance in accordance with Regulation (EU) 2023/826 can be found in the following link: <https://docs.emeaappliance-docs.eu>.

BURNER AND NOZZLE SPECIFICATIONS
CATEGORY II2H3+

Type of gas used	Type of burner	Injector marking	Rated thermal flow rate kW	Rated consumption	Reduced heat capacity kW	Gas pressure mbar		
						min.	rat.	max.
NATURAL GAS (Methane) G20	Rapid (R)	128 B	3,00	286 l/h	0,70	17	20	25
	Semi-rapid (SR)	97 A	1,65	157 l/h	0,40			
	Auxiliary (AUX)	78 A	1,00	95 l/h	0,40			
LIQUEFIED PETROLEUM GAS (Butane) G30	Rapid (R)	85 A	3,00	218 g/h	0,70	20	28-30	35
	Semi-rapid (SR)	66 A	1,65	120 g/h	0,40			
	Auxiliary (AUX)	50	1,00	73 g/h	0,40			
LIQUEFIED PETROLEUM GAS (Propane) G31	Rapid (R)	85 A	3,00	214 g/h	0,70	25	37	45
	Semi-rapid (SR)	66 A	1,65	118 g/h	0,40			
	Auxiliary (AUX)	50	1,00	71 g/h	0,40			

Type of gas used	Model configuration 4 BURNERS	Rated thermal flowrate (kW)	Total rated consumption	Air required (m ³) for burning 1m ³ of gas
G20 20 mbar	1R - 2SR - 1AUX	7,30	695 l/h	9,52
G30 28-30 mbar	1R - 2SR - 1AUX	7,30	531 g/h	30,94
G31 37 mbar	1R - 2SR - 1AUX	7,30	521 g/h	23,80

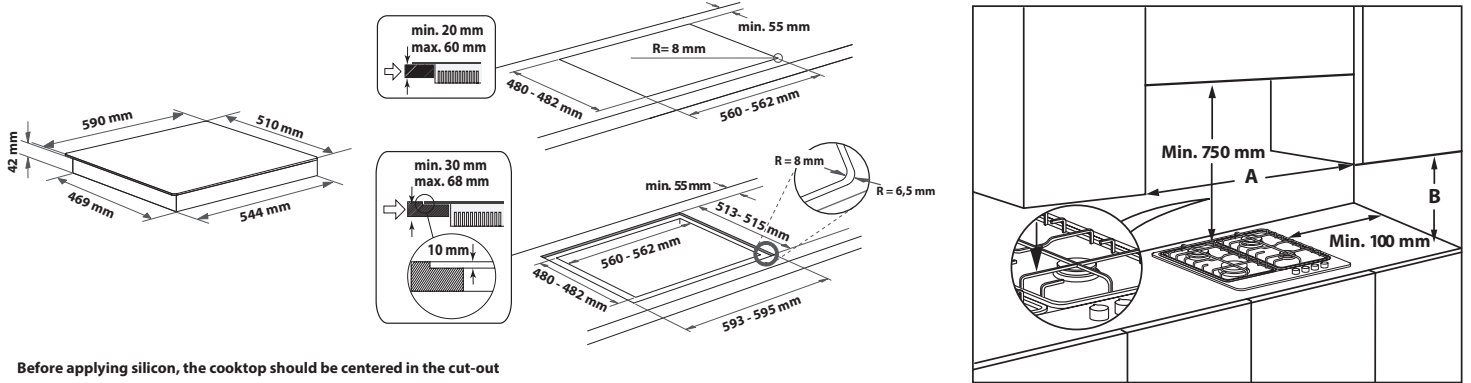
ELECTRIC SUPPLY: 220-240 V ~ 50-60 Hz - 0,6W


INSTALLATION (CLASS 3)

TECHNICAL INFORMATION FOR THE INSTALLER

- Use protective gloves for handling, preparing and installing the product.
- This product can be embedded in a worktop 20 ÷ 60 mm thick with standard installation. For flush installation 30 ÷ 68 mm.
- If there is no oven beneath the hob, insert a separator panel that has a surface at least equal to the opening in the work surface. This panel must be positioned at a maximum distance of 150 mm below the upper surface of the work surface but, in no case less than 20 mm from the bottom of the hob. In the case that you intend to install an oven beneath the hob, make sure that it is equipped with a cooling system.

DIMENSIONS AND DISTANCES TO BE MAINTAINED



Before applying silicon, the cooktop should be centered in the cut-out

NOTE: If distance "A" between the kitchen cabinets is between 600 mm and 730 mm, height "B" must be at least 530 mm. If distance "A" between the kitchen cabinets is greater than the width of the hob, height "B" must be at least 400 mm. If a hood is installed above the hob, refer to the assembly instructions for the hood to see the necessary distance.

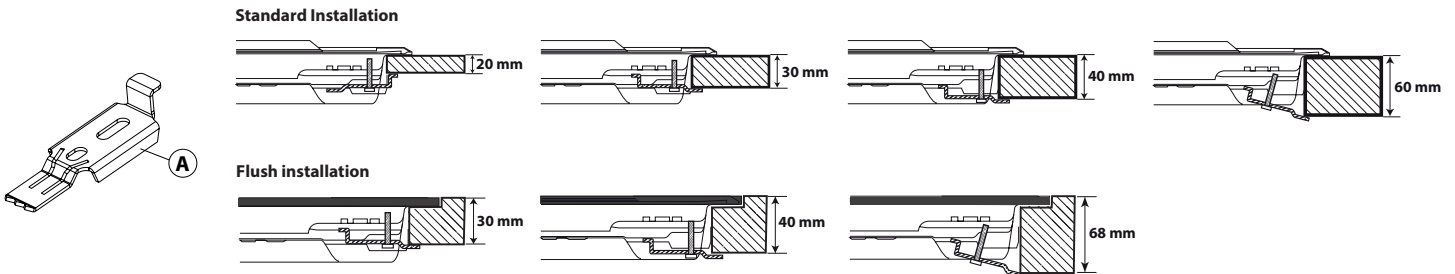
ASSEMBLY

After cleaning the perimeter surface, apply the supplied gasket to the hob as shown in the figure.

Position the hob in the worktop opening made respecting the dimensions indicated in the Instruction.

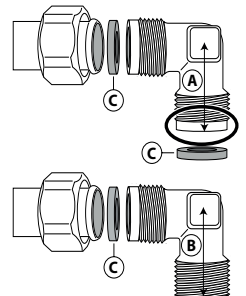
NOTE: the power supply cable must be long enough to permit its upward extraction.

To secure the hob, use the brackets (A) provided with it. Fit the brackets into the relevant bores shown by the arrow and fasten them by means of their screws in accordance with the thickness of the worktop (see the following figures).

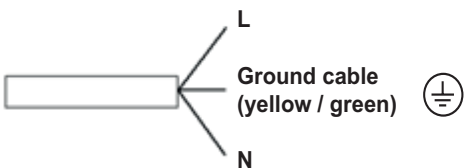


GAS CONNECTION

- Connect elbow (A)* or (B)* supplied with to the hob inlet main pipe and interpose the washer (C) supplied, in compliance with EN 549.
- * Use elbow (A) for France and elbow (B) for all other destinations.
- After connection to the gas supply, check for leaks with soapy water. Light up the burners and turn the knobs from maximum position to minimum position to check flame stability.



ELECTRICAL CONNECTION



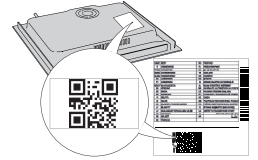


THANK YOU FOR BUYING A WHIRLPOOL PRODUCT
In order to receive a more complete assistance, please register your product on www.register10.eu.

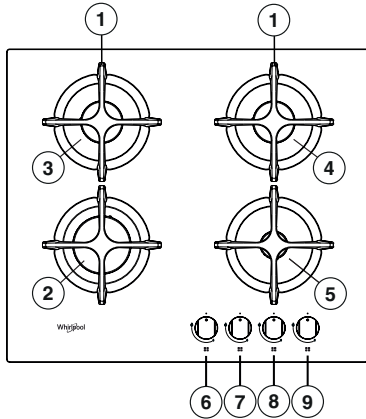


Before using the appliance carefully read the Safety Instruction.

PLEASE SCAN THE QR CODE ON YOUR APPLIANCE IN ORDER TO REACH MORE INFORMATION





PRODUCT DESCRIPTION



1. Removable panstand grids
2. Rapid burner
3. Semi-rapid burner
4. Semi-rapid burner
5. Auxiliary burner
6. Rapid burner control knob
7. Semi-rapid burner control knob
8. Semi-rapid burner control knob
9. Auxiliary burner control knob

Symbols

- Shaded circle ● Tap closed
- Large flame  Maximum opening/delivery and electric ignition
- Small flame  Minimum opening or reduced delivery



DAILY USE

HOW TO USE THE HOB

 Do not let the burner flame extend beyond the edge of the pan.

IMPORTANT: when the hob is in use, the entire hob area may become hot.

- To ignite one of the burners, turn the relative knob anti-clockwise to the maximum flame setting.
- Press the knob against the control panel to ignite the burner.
- After the burner has ignited, keep the knob pressed for about 5-10 seconds to allow proper device operation.
- This burner safety device shuts off the gas supply to the burner if the flame goes out accidentally (because of sudden draught, an interruption in the gas delivery, boiling over liquids, etc.).
- **The knob must not be pressed for more than 15 sec. If, after that time has elapsed, the burner does not remain lit, wait at least one minute before trying to light it again.**

NOTE: should particular local conditions of the delivered gas make the ignition of burner difficult, it is advisable to repeat the operation with the knob turned to the small flame setting.

The burner might go out when the knob is released. This means that the safety device has not warmed up enough. In this case, repeat the operations described above.

If the burner flame is accidentally extinguished, switch off the burner control and do not try to ignite for at least 1 minute.

PRACTICAL ADVICE FOR USING THE BURNERS

This hob has burners of different diameters. For better burner performance, please stick to the following rules:

- use pots and pans with bottoms the same width as that of the burners or slightly larger (see table on the right);
- only use flat-bottomed pots and pans;
- use the correct amount of water for cooking foods and keep the pot covered;
- make sure pots on the grates do not protrude beyond the edge of the hob;
- In the case of pans with convex bottoms (WOK), use the support grille (not provided), which should be positioned only on the multi-ring burner;
- avoid accidentally knocking the hob with pans, racks or other kitchen utensils;
- do not leave empty steak grills over the lit burner for longer than 5 minutes.

IMPORTANT: improper use of the grids can damage the hob: do not position the grids upside down or slide them across the hob.

BURNER	POT Ø
Rapid	From 24 to 26 cm
Semi-rapid	From 16 to 22 cm
Auxiliary	From 8 to 14 cm

Do not use:

- cast iron griddles, ollar stones, terracotta pots and pans;
- heat diffusers such as metal mesh, or any other types;
- two burners simultaneously for one receptacle (e.g. fish kettle).

Liquids spilled on hot hob area can cause glass damage.

ADAPTING TO DIFFERENT TYPES OF GAS

 This operation must be performed by a qualified technician.

If the appliance is intended to operate with a different gas from the gas type stated on the rating plate and information label on the top of the hob, change the injectors.

Remove the information label and keep it with the instructions booklet.

Use pressure regulators suitable for the gas pressure indicated in the Instruction:

- the gas injector must be changed by After Sales Service or a qualified technician;
- injector not supplied with the appliance must be ordered from After Sales Service;
- adjust the minimum setting of the taps.

NOTE: when liquid petroleum gas is used (G30/G31), the minimum gas setting screw must be tightened as far as it will go.

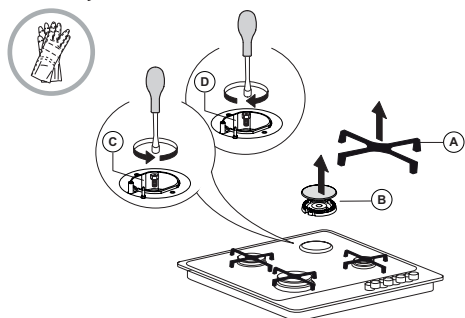
IMPORTANT: should you experience difficulty in turning the burners knobs, please contact the After Sales Service for the replacement of the burner tap if found to be faulty.

IMPORTANT: when gas cylinder is adopted, the gas cylinder or gas container must be properly settled (vertical orientation).

REPLACING THE INJECTORS (see the injector table in the Safety instructions)

⚠ This operation must be performed by a qualified technician.

- Remove grids (A).
- Extract burners (B).
- Using a socket spanner of the appropriate size unscrew the injector (C), to be replaced.
- Replace it with the injector suitable for the new type of gas.
- Re-assemble the injector in (D).



Before installing the hob, remember to affix the gas calibration plate supplied with the injectors in such a way that it covers the existing information relating to gas calibration.

CLEANING AND MAINTENANCE

⚠ Disconnect the appliance from the power supply.

CLEANING THE HOB SURFACE

- All the enamelled and glass parts should be cleaned with warm water and a neutral solution.
- Stainless steel surfaces may be stained by calcareous water or aggressive detergents if left in contact for too long. Any food spills (water, sauce, coffee, etc.) should be wiped away before they dry.
- Clean with warm water and neutral detergent, and then dry with a soft cloth or chamois. Remove baked-on dirt with specific cleaners for stainless steel surfaces.

NOTE: clean stainless steel only with soft cloth or sponge.

- Do not use abrasive or corrosive products, chlorine-based cleaners or pan scourers.
- Do not use steam cleaning appliances.
- Do not use flammable products.
- Do not leave acid or alkaline substances, such as vinegar, mustard, salt, sugar or lemon juice on the hob.

TROUBLESHOOTING

If the hob does not operate correctly, before calling the After-Sales Service, refer to the Troubleshooting Guide to determine the problem

1. The burner fails to ignite, or the flame is not even

Check that:

- the gas or electrical supplies are not shut off and especially that the gas supply tap is open;
- the gas cylinder (liquid gas) is not empty;
- the burner openings are not clogged;
- the plug end is not dirty;
- all the burner parts have been positioned correctly;
- there are no draughts near the hob.

2. The burner does not stay lit

Check that:

- when lighting the burner, the knob has been pressed for enough time to activate the protection device;
- the burner openings are not clogged near the thermocouple;
- the end of the safety device is not dirty;
- the minimum gas setting is correct (see relevant paragraph).

ADJUSTING MINIMUM GAS SETTING OF TAPS

⚠ This operation must be performed by a qualified technician.

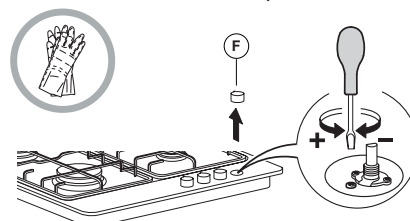
The adjustment must be performed with the tap in a minimum gas setting position ⚡ (small flame).

The primary air of the burners does not need to be adjusted.

To ensure that the minimum setting is correctly adjusted, remove the knob (F) and proceed as follows:

- tighten the screw to reduce the flame height (-);
- loosen the screw to increase the flame height (+).

At this stage, light up the burners and turn the knobs from maximum position ⚡ to minimum position ⚡ to check flame stability.



Upon completion of adjustment, reseal using sealing wax or an equivalent material.

CLEANING THE HOB PARTS

- Clean glass and enamelled parts only with soft cloth or sponge.
- Grids, burner caps and burners can be removed to be cleaned.
- Clean them by hand with warm water and non-abrasive detergent, removing any food residues and checking that none of the burner openings is clogged.
- Rinse and dry.
- **The cast-iron grates may be cleaned in the dishwasher. Remove any burnt-on food before placing the grates in the lowest rack in the dishwasher.**
- Refit burners and burner caps correctly in the respective housings.
- When replacing the grids, make sure that the panstand area is aligned with the burner.
- Models equipped with electrical ignition plugs and safety device require thorough cleaning of the plug end in order to ensure correct operation. Check these items frequently, and if necessary, clean them with a damp cloth. Any baked-on food should be removed with a toothpick or needle.

NOTE: to avoid damaging the electric ignition device, do not use it when the burners are not in their housing.

3. The containers are not stable

Check that:

- the bottom of the container is perfectly flat;
- the container is centred on the burner;
- the grids have not been exchanged or positioned incorrectly.

If after the above checks the fault still occurs, get in touch with the nearest After Sales Service.

AFTER-SALES SERVICE

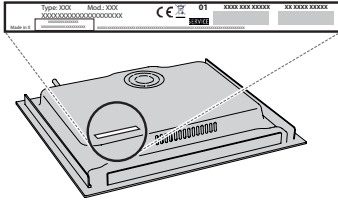
BEFORE CALLING THE AFTER-SALES SERVICE:

1. See if you can solve the problem by yourself with the help of the **TROUBLESHOOTING** suggestions.
2. Switch the appliance off and back on again to see if the fault persists.

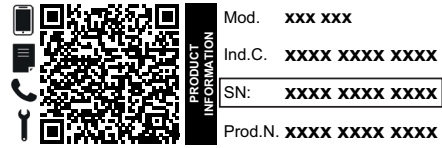
IF AFTER THE ABOVE CHECKS THE FAULT STILL OCCURS, GET IN TOUCH WITH THE NEAREST AFTER-SALES SERVICE.

When contacting our Client After-sales service, always specify:

- a brief description of the fault;
- the type and exact model of the appliance;



- the serial number (number after the word SN on the rating plate located under the appliance). The serial number is also indicated in the documentation;



- your full address;
- your telephone number.

If any repairs are required, please contact an authorized after-sales service (to guarantee that original spare parts will be used and repairs carried out correctly).

Policies, standard documentation and additional product information can be found by:

- Using QR code in your appliance;
- Visiting our website docs.whirlpool.eu/docs;
- Alternatively, **contact our After-sales Service** (See phone number in the warranty booklet). When contacting our After-sales Service, please state the codes provided on your product's identification plate.

®/TM/© 2024 Whirlpool. Produced under license.



⚠ Deze instructies zijn van toepassing als het landsymbool op het apparaat staat. Als het symbool niet op het apparaat verschijnt, moet u de technische instructies raadplegen om het apparaat aan de gebruiksvoorwaarden van het land aan te passen.

⚠ **VOORZICHTIG:** Gebruik van het gaskooktoestel produceert warmte, vocht en verbrandingsproducten in de ruimte waarin het is geïnstalleerd. Zorg ervoor dat de keuken goed geventileerd is, vooral wanneer het apparaat in gebruik is: zorg voor openingen voor natuurlijke ventilatie of installeer een mechanische ventilatie-inrichting (mechanische afzuigkap). Bij langdurig en intensief gebruik van het apparaat kan extra ventilatie nodig zijn, bijvoorbeeld door het openen van een raam, of een effectievere ventilatie, door het niveau van mechanische ventilatie (indien mogelijk) te verhogen.

⚠ Als u de informatie in deze handleiding niet precies opvolgt, kan dit brand of een ontploffing veroorzaken, met materiële schade of persoonlijk letsel tot gevolg. Lees voordat u het apparaat gaat gebruiken deze veiligheidsinstructies. Houd ze binnen handbereik voor toekomstige raadpleging.

Deze instructies en het apparaat zelf zijn voorzien van belangrijke veiligheidsaanwijzingen, die te allen tijde moeten worden opgevolgd. De fabrikant kan niet aansprakelijk gesteld worden voor schade die het gevolg is van het niet opvolgen van deze veiligheidsinstructies, oneigenlijk gebruik van het apparaat of een foute instelling van de regelknoppen.

⚠ **WAARSCHUWING:** Gebruik het apparaat niet als het oppervlak van de kookplaat gebarsten is - risico op elektrische schokken.

⚠ **WAARSCHUWING:** Brandgevaar: leg geen voorwerpen op de kookoppervlakken.

⚠ **VOORZICHTIG:** Het bereidingsproces moet onder toezicht plaatsvinden. Een kort bereidingsproces moet onder voortdurend toezicht plaatsvinden.

⚠ **WAARSCHUWING:** Onbewaakt bereiden op een kookfornuis met vet of olie kan gevaarlijk zijn - brandgevaar. Probeer een brand NOOIT te blussen met water, maar zet het apparaat uit en bedek de vlam met bijv. een deksel of een branddeken.

⚠ Gebruik de kookplaat niet als werkblad of als steun. Houd kleding of andere brandbare materialen uit de buurt van het apparaat tot alle onderdelen van het apparaat helemaal zijn afgekoeld - brandgevaar.

⚠ Kleine kinderen (0-3 jaar) moeten uit de buurt van het apparaat gehouden worden. Jonge kinderen (3-8 jaar) moeten uit de buurt van het apparaat gehouden worden, tenzij ze constant onder toezicht staan. Kinderen vanaf 8 jaar en personen met verminderde fysieke, sensorische of mentale vermogens of gebrek aan ervaring en kennis, mogen dit apparaat gebruiken indien ze onder toezicht staan of instructies hebben ontvangen over veilig gebruik

en de mogelijke gevaren ervan begrijpen. Kinderen mogen niet spelen met het apparaat. De reiniging en het onderhoud mogen niet door kinderen worden uitgevoerd zonder toezicht.

⚠ **VOORZICHTIG:** schakel bij glasbreuk van de kookplaat onmiddellijk alle branders en eventuele elektrische verwarmingselementen uit en koppel het apparaat los van de netvoeding; raak het oppervlak van het apparaat niet aan; gebruik het apparaat niet.

De glazen afdekking kan inbreken bij opwarming. Schakel alle branders en elektrische platen uit voordat u het deksel sluit. Sluit het deksel niet als er een gasbrander brandt.

⚠ **WAARSCHUWING:** Het apparaat en de toegankelijke onderdelen kunnen heet worden tijdens het gebruik. Wees voorzichtig dat u de verwarmingselementen niet aanraakt. Kinderen jonger dan 8 jaar moeten uit de buurt van het apparaat worden gehouden, tenzij er voortdurend toezicht is.

⚠ Het voedsel mag voor of na de bereiding niet langer dan één uur in of op het product blijven liggen.

TOEGESTAAN GEBRUIK

⚠ **VOORZICHTIG:** het apparaat is niet geschikt voor inwerkingstelling met een externe schakelaar zoals een timer, of een afzonderlijk systeem met afstandsbediening.

⚠ Dit apparaat is bedoeld voor gebruik in huishoudelijke en gelijkaardige toepassingen zoals: personeelskeukens in winkels, kantoren en overige werkomgevingen; landbouwbedrijven; klanten in hotels, motels en andere residentiële omgevingen.

⚠ Elk ander gebruik is verboden (bijv. het verwarmen van kamers).

⚠ Dit apparaat is niet voor professioneel gebruik bestemd. Gebruik het apparaat niet buiten.

⚠ Gebruik pannen met bodems waarvan de diameter gelijk, of iets groter is dan die van de branders (zie tabel). Zorg ervoor dat de pannen op de roosters niet uitsteken buiten de rand van de kookplaat.

⚠ Een verkeerd gebruik van de pannenroosters kan schade aan de kookplaat veroorzaken: positioneer de rooster niet ondersteboven en schuif ze niet over de kookplaat.

Laat de gasvlam nooit buiten de randen van de pan komen.

Als het oppervlak van de kookplaat van glas is gemaakt, gebruik dan geen gietijzeren bakplaten, spekstenen, terracottapotten en pannen.

Gebruik geen: Warmteverdelers zoals een metalen gaas of andere typen. Twee branders tegelijkertijd voor één pan (bijv. vispan).

Indien door de lokale staat van het toegevoerde gas het ontsteken van de brander moeilijk gaat, wordt geadviseerd de bewerking te herhalen met de knop verdraaid naar de kleine vlaminstelling.

Als er een afzuigkap boven de kookplaat wordt geïnstalleerd, zie dan de bij de afzuigkap geleverde instructies voor de juiste afstand.

De beschermende rubberen pootjes op de roosters vormen verstikkingsgevaar voor jonge kinderen. Controleer na het verwijderen van de roosters of alle pootjes correct zijn geplaatst.

INSTALLATIE

⚠ Het apparaat moet verplaatst en geïnstalleerd worden door twee of meer personen - risico op verwondingen.

Gebruik beschermende handschoenen om uit te pakken en te installeren - risico voor snijwonden.

⚠ De elektrische en gasaansluitingen moeten aan de lokale voorschriften voldoen.

⚠ Laat de installatie, m.i.v. de aansluiting op het waternet (indien van toepassing) en de elektrische aansluitingen en reparaties door een gekwalificeerd technicus verrichten. Repareer of vervang geen enkel onderdeel van het apparaat, behalve als dit expliciet aangegeven wordt in de gebruikershandleiding. Houd kinderen uit de buurt van de installatieplaats. Controleer na het uitpakken van het apparaat of het tijdens het transport geen beschadigingen heeft opgelopen. Neem in geval van twijfel contact op met uw leverancier of de dichtstbijzijnde Consumentenservice. Na de installatie moet het verpakkingsmateriaal (plastic, piepschuim enz.) buiten het bereik van kinderen bewaard worden - risico voor verstikking. Het apparaat moet worden losgekoppeld van het elektriciteitsnet voordat u installatiewerkzaamheden uitvoert - risico voor elektrocutie. Tijdens de installatie dient u ervoor te zorgen dat het apparaat de voedingskabel niet beschadigt - risico voor brand of elektrocutie. Activeer het apparaat alleen als de installatie is voltooid.

⚠ **WAARSCHUWING:** Aanpassing van het apparaat en de manier van installeren zijn essentieel om het apparaat veilig en correct te gebruiken in alle andere landen.

⚠ Gebruik drukregelaars die geschikt zijn voor de gasdruk die in de instructies wordt aangegeven.

⚠ De ruimte moet zijn uitgerust met een luchtafzuigstelsel dat alle verbrandingsgassen afvoert.

⚠ De ruimte moet ook een goede luchtcirculatie mogelijk maken, omdat er lucht nodig is voor een normale verbranding. De luchtstroom moet minstens 2 m³/uur per kW geïnstalleerd vermogen bedragen.

⚠ Het luchtcirculatiesysteem kan lucht rechtstreeks van buiten opnemen door middel van een buis met een inwendige doorsnede van ten minste 100 cm²; de opening mag niet gemakkelijk verstopt raken.

⚠ Het systeem kan de lucht voor verbranding ook indirect aanvoeren uit aangrenzende ruimten die zijn uitgerust met luchtcirculatiebuizen zoals hierboven beschreven. Deze ruimten mogen echter geen gemeenschappelijke ruimten of slaapkamers zijn, of ruimten die brandgevaarlijk kunnen zijn.

⚠ Vloeibaar petroleumgas zakt naar de vloer omdat het zwaarder is dan lucht. Daarom moeten kamers met Lpg-cilinders ook zijn uitgerust met ventilatieopeningen om gas te laten ontsnappen in het geval van een lek. Lpg-cilinders, gedeeltelijk of volledig gevuld, mogen daarom niet worden geïnstalleerd of opgeslagen in ruimten of opslagruimten onder het maaiveld (kelders, enz.). Het is raadzaam om alleen de cilinder die in gebruik is in de ruimte te hebben. Deze moet zodanig geplaatst zijn dat hij niet blootstaat aan warmte geproduceerd door externe bronnen (ovens, open haarden, kachels, enz.) die de temperatuur van de cilinder boven 50 °C kunnen laten oplopen.

Als de branderknoppen moeilijk draaien, neem dan contact op met de Klantenservice voor vervanging van de branderkraan, als blijkt dat deze defect is.

Openingen voor ventilatie en warmteafvoer mogen nooit worden afgedekt.

⚠ Voer eerst alle zaagwerkzaamheden uit en verwijder alle spaanders en zaagresten voordat u het apparaat plaatst.

⚠ Als het apparaat niet boven een oven wordt geïnstalleerd, moet een (niet bijgeleverd) scheidingspaneel worden geïnstalleerd in het compartiment onder het apparaat.

GASAANSLUITING

⚠ **WAARSCHUWING:** Controleer vóór de installatie of de lokale toevoer van gas (aard van gas en gasdruk) en de configuratie van het apparaat compatibel zijn.

⚠ Controleer of de druk van de gastoevoer overeenkomt met de waarden in Tabel "Specificaties brander en mondstuk".

⚠ **WAARSCHUWING:** De configuratievoorwaarden voor dit apparaat staan vermeld op het etiket (of het typeplaatje).

⚠ **WAARSCHUWING:** Dit apparaat is niet aangesloten op een afvoerinstallatie voor verbrandingsproducten. Het moet geïnstalleerd en aangesloten worden volgens de geldende installatievoorschriften. Besteed speciale aandacht aan de relevante vereisten met betrekking tot ventilatie.

⚠ Als het apparaat op vloeibaar gas is aangesloten, moet de regelschroef zo strak mogelijk worden aangedraaid.

⚠ **BELANGRIJK:** Als een gascilinder of gashouder gebruikt wordt, moet deze juist geplaatst worden (verticaal).

⚠ **WAARSCHUWING:** Deze handeling moet door een gekwalificeerd monteur worden uitgevoerd.

⚠ Gebruik alleen een flexibele of stijve metalen leiding voor de gasaansluiting.

⚠ Aansluiting met een inflexibele leiding (koper of staal). De aansluiting op het gassysteem moet zodanig worden uitgevoerd, dat er geen spanning op het apparaat komt te staan. Er zit een verstelbare L-vormige buisfitting op het aanvoersysteem van het apparaat. Deze fitting is voorzien van een afdichting om lekken te voorkomen. De afdichting moet altijd worden vervangen na het draaien van de buisfitting (de afdichting is bij het apparaat geleverd). De fitting van de gastoeverbuis is een cilindrische mannelijke bevestiging (1/2 gas) met schroefdraad.

⚠ Een flexibele naadloze roestvrijstalen leiding aansluiten op een schroefdraadbevestiging. De fitting van de gastoeverbuis is een cilindrische mannelijke bevestiging (1/2 gas) met schroefdraad. Deze leidingen moeten zodanig worden geïnstalleerd dat ze nooit langer zijn dan 2000 mm wanneer ze volledig zijn uitgeschoven. Zorg er nadat de verbinding tot stand is gebracht voor dat de flexibele metalen leiding geen bewegende delen raakt en niet is samengedrukt. Gebruik alleen leidingen en afdichtingen die voldoen aan de geldende regelgeving in het land van installatie.

⚠ **BELANGRIJK:** Als een roestvrijstalen slang wordt gebruikt, moet deze zodanig worden geïnstalleerd dat hij geen bewegende delen van het meubilair raakt (bijvoorbeeld laden). De slang moet door een gedeelte

zonder obstakels worden geleid, waar de leiding over de gehele lengte gecontroleerd kan worden.

⚠ Het apparaat moet worden aangesloten op de hoofdgastoevoer of op een gascilinder die voldoet aan de geldende regelgeving in het land van installatie. Controleer voordat u de aansluiting uitvoert of het apparaat compatibel is met de gastoevoer die u wilt gebruiken. Als dit niet het geval is, volg dan de instructies in de paragraaf "Aanpassing aan verschillende gassoorten".

⚠ Controleer na aansluiting op de gastoevoer met zeepwater op lekkages. Steek de branders aan en draai de knoppen van de hoogste stand 1* naar de laagste stand 2* om de stabiliteit van de vlam te controleren.

AANPASSING AAN VERSCHILLENDE GASSOORTEN

(Deze bewerking moet worden uitgevoerd door een gekwalificeerde technicus).

⚠ Volg de stappen na de installatietekeningen voor aanpassing van het apparaat aan een ander type gas dan het type waarvoor het is vervaardigd (aangegeven op de classificatietabel).

ELEKTRISCHE WAARSCHUWINGEN

⚠ **BELANGRIJK:** Informatie over stroom- en spanningsverbruik vindt u op het typeplaatje.

⚠ Het moet mogelijk zijn het apparaat van het elektriciteitsnet af te koppelen door de stekker uit het stopcontact te halen of via een meerpolige netschakelaar die bovenstrooms van het stopcontact is geplaatst conform de bedradingsvoorschriften en het apparaat dientgeaardtezijnconformdenationaleveiligheidsnormen voor elektriciteit.

⚠ De stroomkabel moet lang genoeg zijn om het apparaat, nadat dit is ingebouwd in het meubel, te kunnen aansluiten op het stopcontact van de netvoeding. Niet aan de stroomkabel trekken.

⚠ Gebruik geen verlengsnoeren, meervoudige stopcontacten of adapters. Als de installatie voltooid is, mogen de elektrische onderdelen niet meer toegankelijk zijn voor de gebruiker. Gebruik het apparaat niet wanneer u natte voeten hebt of blootsvoets bent. Gebruik het apparaat niet als de stroomkabel of de stekker beschadigd is, als het apparaat niet goed werkt of als het beschadigd of gevallen is.

⚠ Als het netsnoer beschadigd is, moet het vervangen worden door een identiek exemplaar door de fabrikant, een servicevertegenwoordiger of gekwalificeerd personeel om risico's te voorkomen - risico op elektrische schokken.


REINIGEN EN ONDERHOUD

⚠ **WAARSCHUWING:** Het apparaat moet worden losgekoppeld van het elektriciteitsnet voordat u onderhoudswerkzaamheden uitvoert; gebruik geen stoomreinigers - risico van elektrocutie.

⚠ Gebruik geen schurende of bijtende producten, reinigingsmiddelen op chloorbasis of schuursponsjes.

⚠ Om beschadiging van de elektrische ontstekingsinstallatie te voorkomen, dienen deze niet gebruikt te worden wanneer de branders zich niet in hun behuizing bevinden.

VERWERKING VAN DE VERPAKKING


De verpakking kan volledig gerecycled worden, zoals door het recyclingssymbool wordt aangegeven .

De diverse onderdelen van de verpakking mogen daarom niet bij het gewone huisvuil worden weggegooid, maar moeten worden afgevoerd volgens de plaatselijke voorschriften.

AFDANKEN VAN HUISHOUDELIJKE APPARATUUR

Dit apparaat is vervaardigd van recyclebaar of herbruikbaar materiaal. Dank het apparaat af in overeenstemming met plaatselijke milieuvoorschriften voor afvalverwerking. Voor meer informatie over behandeling, terugwinning en recycling van huishoudelijke apparaten kunt u contact opnemen met uw plaatselijke instantie, de vuilnisophaaldienst of de winkel waar u dit apparaat hebt gekocht. Dit apparaat is gemarkeerd in overeenstemming met de Europese Richtlijn 2012/19/EU, Afgedankte Elektrische en Elektronische Apparatuur (AEEA) en met de Regeling Afgedankte Elektrische en Elektronische Apparatuur 2013 (zoals gewijzigd).

Door ervoor te zorgen dat dit product correct wordt afgedankt, helpt u schadelijke gevolgen voor het milieu en de gezondheid te voorkomen.

Het symbool  op het product of op de begeleidende documentatie geeft aan dat dit apparaat niet als huishoudelijk afval behandeld mag worden, maar dat het ingeleverd moet worden bij een speciaal inzamelingscentrum voor de recycling van elektrische en elektronische apparatuur.

TIPS OM ENERGIE TE BESPAREN

Gebruik potten en pannen waarvan de diameter van de bodem gelijk is aan de kookzone.

Gebruik alleen kookpotten en pannen met een vlakke bodem.

Laat indien mogelijk de deksels op de potten zitten tijdens het koken.

Gebruik een snelkookpan, om nog meer energie en tijd te besparen.

CONFORMITEITSVERKLARING

Dit apparaat voldoet aan de Ecodesign-vereisten van Europese verordening 66/2014 en de Ecodesign Verordeningen 2019 voor energiegerelateerde producten en energie-infor

Die Informationen zum Energiesparmodus des Geräts gemäß der Verordnung (EU) 2023/826 finden Sie unter dem folgenden Link: <https://docs.emeaappliance-docs.eu.matie> (Wijziging) (EU Exit), in overeenstemming met de Europese norm EN 30-2-1.

Soort gas dat gebruikt wordt	Type brander	Type sproeier	Nominale thermisch vermogen kW	Nominiaal verbruik	Beperkt thermisch vermogen kW	Gasdruk mbar		
						min.	nom.	max.
AARDGAS (Methaan) G20	Snelle brander (R) Semi-snelle brander (SR) Hulp brander (AUX)	128 B 97 A 78 A	3,00 1,65 1,00	286 l/h 157 l/h 95 l/h	0,70 0,40 0,40	17	20	25
AARDGAS (Methaan) G25	Snelle brander (R) Semi-snelle brander (SR) Hulp brander (AUX)	130 C 100 A 79 A	3,00 1,65 1,00	332 l/h 183 l/h 111 l/h	0,70 0,40 0,40	20	25	30
AARDGAS (Methaan) G25.3	Snelle brander (R) Semi-snelle brander (SR) Hulp brander (AUX)	130 C 100 A 79 A	3,00 1,65 1,00	325 l/h 179 l/h 108 l/h	0,70 0,40 0,40	20	25	30
VLOEIBAAR GAS (Butaan) G30	Snelle brander (R) Semi-snelle brander (SR) Hulp brander (AUX)	85 A 66 A 50	3,00 1,65 1,00	218 g/h 120 g/h 73 g/h	0,70 0,40 0,40	20	28-30	35
VLOEIBAAR GAS (Propan) G31	Snelle brander (R) Semi-snelle brander (SR) Hulp brander (AUX)	85 A 66 A 50	3,00 1,65 1,00	214 g/h 118 g/h 71 g/h	0,70 0,40 0,40	25	37	45

Soort gas dat gebruikt wordt	Configuratie model 4 BRANDERS	Nominale thermische vermogen (kW)	Totaal nominaal verbruik	Benodigde lucht (m ³) voor verbranding van 1m ³ gas
G20 20 mbar	1R - 2SR - 1AUX	7,30	695 l/h	9,52
G25 25 mbar	1R - 2SR - 1AUX	7,30	808 l/h	8,187
G25.3 25 mbar	1R - 2SR - 1AUX	7,30	791 l/h	8,187
G30 30 mbar	1R - 2SR - 1AUX	7,30	531 g/h	30,94
G31 30 mbar	1R - 2SR - 1AUX	7,30	521 g/h	23,80

ELEKTRISCHE VOEDING: 220-240 V ~ 50-60 Hz - 0,6 W

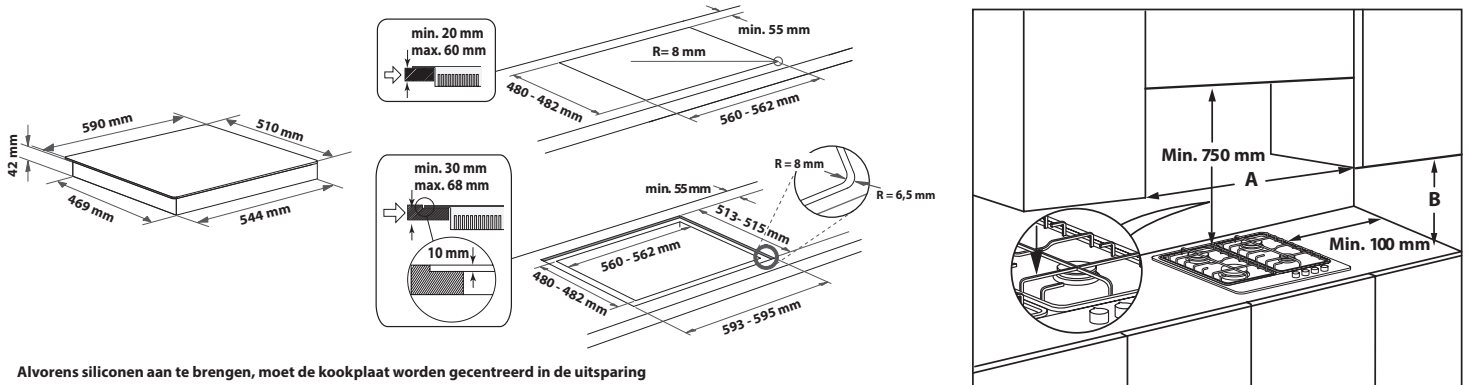


INSTALLATIE (KLASSE 3)

TECHNISCHE INFORMATIE VOOR DE INSTALLATEUR

- Gebruik beschermende handschoenen voor de behandeling, voorbereiding en installatie van het product.
- Dit product kan worden opgenomen in een werkblad met een dikte van 20 tot 60 mm met standaard installatie. Voor inbouw 30 ÷ 68.
- Indien er geen oven onder de kookplaat aanwezig is, breng dan een scheidingspaneel waarvan de oppervlakte op zijn minst zo groot is als de opening in het werkblad. Dit paneel moet op een afstand van maximaal 150 mm onder het bovenste oppervlak van het werkblad gepositioneerd worden. In geen geval mag de afstand tot de onderzijde van de kookplaat kleiner dan 20 mm zijn. Indien u een oven onder de kookplaat wenst in te bouwen, zorg dan dat de oven is uitgerust met een koelsysteem.

AAN TE HOUDEN AFMETINGEN EN AFSTANDEN



Alvorens siliconen aan te brengen, moet de kookplaat worden gecentreerd in de uitsparing

OPMERKING: Als de afstand "A" tussen de muurkasten tussen de 600 mm en de 730 mm bedraagt, dient de hoogte "B" minimaal 530 mm te zijn. Als de afstand "A" tussen de muurkasten groter is dan de breedte van de kookplaat, moet de hoogte "B" minimaal 400 mm bedragen. Als er een afzuigkap boven de kookplaat wordt geïnstalleerd, zie dan de afzuigkap geleverde instructies voor de juiste afstand.

MONTAGE

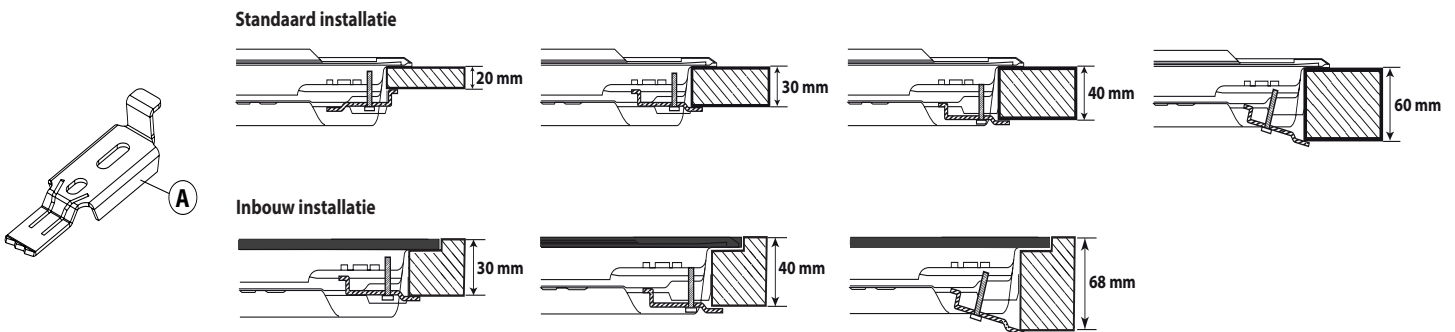
Na het reinigen van het omliggende oppervlak, past u de meegeleverde pakking toe op de kookplaat zoals weergegeven in de afbeelding.

Plaats de kookplaat in de opening van het werkblad en neem de afmetingen in acht die in de Instructies werden aangegeven.



OPMERKING: het netsnoer moet voldoende lang zijn om deze omhoog te kunnen trekken.

Om de kookplaat vast te maken, gebruikt u de meegeleverde steunen (A). Plaats de steunen in de desbetreffende booropeningen aangeduid met de pijl en maak deze vast met hun schroeven afhankelijk van de dikte van het werkblad (zie de volgende afbeeldingen).

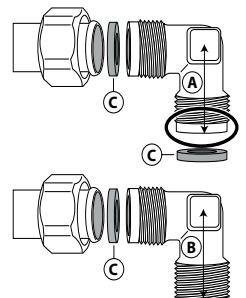


GASAANSLUITING

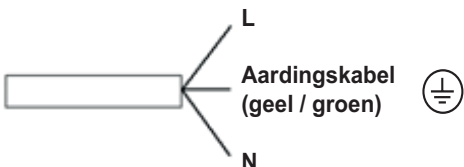
- Sluit het meegeleverde hoekstuk (A)* of (B)* op de hoofdinaatleiding van de kookplaat aan en plaats de meegeleverde ring (C) in overeenstemming met EN 549.

* Gebruik hoekstuk (A) voor Frankrijk en hoekstuk (B) voor alle overige bestemmingen.

- Controleer na aansluiting op de gastoevoer met zeepwater op lekkages. Ontsteek de branders en draai de knoppen van de maximale stand naar de minimale stand om de vlamstabiliteit te controleren.



ELEKTRISCHE AANSLUITING



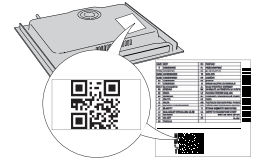

DANK U WEL VOOR UW AANKOOP VAN EEN WHIRLPOOL PRODUCT

Voor verdere assistentie kunt u het apparaat registreren op www.register10.eu.

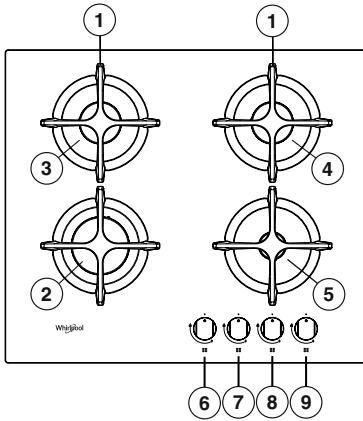


Lees de instructies aandachtig voordat u het apparaat gebruikt.

SCAN DE QR-CODE OP UW APPARAAT VOOR MEER INFORMATIE



PRODUCTBESCHRIJVING



1. Verwijderbare pannensteunroosters
2. Snelle brander
3. Semi-snelle brander
4. Semi-snelle brander
5. Hulpbrander
6. Bedieningsknop snelle brander
7. Bedieningsknop semi-snelle brander
8. Bedieningsknop semi-snelle brander
9. Bedieningsknop hulpbrander

Symbolen

- | | | |
|-------------------------|---|---|
| Grijs weergegeven cirke | ● | Kraan gesloten |
| Grote vlam | 🔥 | Maximale vlam/voeding en elektrische ontsteking |
| Kleine vlam | 🔥 | Minimale vlam of verminderde levering |



DAGELIJKS GEBRUIK

GEBRUIK VAN DE KOOKPLAAT

⚠️ Laat de vlam van de brander niet voorbij de rand van de pan komen.

BELANGRIJK: bij gebruik van de kookplaat kan de hele kookplaat heet worden

- Om een van de branders te ontsteken, draai de betreffende knop linksom naar de maximale vlaminstelling.
- Druk de knop tegen het bedieningspaneel om de brander te ontsteken.
- Nadat de brander ontstoken is, houdt u de knop ongeveer 5-10 seconden ingedrukt voor een correcte werking van het apparaat.
- Deze veiligheidsvoorziening van de brander onderbreekt de gastoevoer naar de brander als de vlam per ongeluk uitgaat (door een plotselinge tocht, een onderbreking van de gastoevoer, het overkoken van vloeistoffen, etc.).
- **De knop mag niet langer dan 15 sec. ingedrukt worden. Als de brander na die tijd niet blijft branden, wacht dan minstens 1 minuut voordat u probeert de brander opnieuw te ontsteken.**

OPMERKING: indien door de lokale staat van het toegevoerde gas het ontsteken van de brander moeilijk gaat, wordt geadviseerd de bewerking te herhalen met de knop verdraaid naar de kleine vlaminstelling.

De brander kan uitgaan wanneer de knop wordt losgelaten. Dit betekent dat de veiligheidsvoorziening niet voldoende is opgewarmd. In dit geval moeten de bovenstaande bewerkingen herhaald worden.

Mocht een gasbrander per ongeluk uitgaan, draai dan de knop uit en wacht minstens 1 minuut voordat u hem weer probeert aan te steken.

PRAKTISCHE WENKEN VOOR HET GEBRUIK VAN DE BRANDERS

Deze kookplaat heeft branders met verschillende diameters. Neem voor betere branderprestaties de volgende regels in acht:

- gebruik potten en pannen van dezelfde breedte als die van de branders of iets groter (zie de tabel rechts);
- gebruik uitsluitend potten en pannen met een platte bodem;
- gebruik de correcte hoeveelheid water voor het koken van etenswaren en houd de pan afgedekt;
- zorg dat de pannen op de roosters niet over de rand van de kookplaat steken;
- gebruik in geval van pannen met een holle bodem (wok) de niet meegeleverde steungrille, die alleen op de multirings brander gepositioneerd mag worden;
- vermijd per ongeluk met pannen, roosters of ander keukengerei tegen de plaat aan te stoten;
- laat lege vleesroosters nooit langer dan 5 minuten op een ontstoken brander staan.

BELANGRIJK: onjuist gebruik van de roosters kan resulteren in beschadiging van de kookplaat: positioneer de rooster niet ondersteboven en schuif ze niet over de kookplaat.

BRANDER	PAN Ø
Snelle brander	Van 24 tot 26 cm
Semi-snelle brander	Van 16 tot 20 cm
Hulpbrander	Van 8 tot 14 cm

Gebruik geen:

- Gietijzeren grillplaten, grilsteenplaten, aardewerken potten en pannen.
- Warmteverdelers zoals een metalen gaas of andere typen.
- Twee branders tegelijkertijd voor één pan (bijv. vispan).

AANPASSING AAN VERSCHILLENDE GASTYPEN

⚠️ Deze bewerking moet door een erkend monteur worden uitgevoerd.

Indien het apparaat bedoeld is voor gebruik met een ander gas dan het gastype dat op het typeplaatje en informatielabel bovenop de kookplaat wordt vermeld, moeten de injectoren vervangen worden. Verwijder het informatielabel en bewaar dit bij het instructieboekje.

Gebruik drukregelaars die geschikt zijn voor de gasdruk die in de Instructies wordt aangegeven:

- De sproeier moet worden vervangen door de Klantenservice of door een gekwalificeerd monteur.
- Als een sproeier die niet bij het apparaat is geleverd, moet deze worden besteld bij de Klantenservice.
- Stel de minimuminstelling van de kranen af.

OPMERKING: indien vloeibaar petroleumgas (lpg) wordt gebruikt (G30/G31), moet de schroef voor de minimumgasinstelling zo ver mogelijk worden aangehaald.

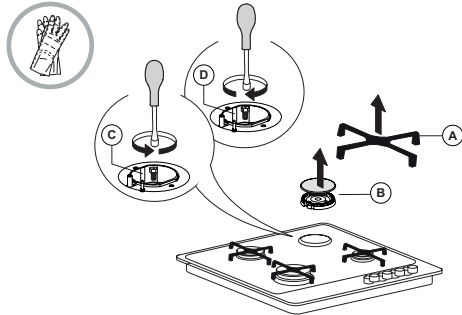
BELANGRIJK: indien u moeilijkheden ondervindt bij het draaien van de branderknoppen, neem dan contact op met de Klantenservice om de branderkraan te vervangen als wordt vastgesteld dat deze defect is.

BELANGRIJK: als de gasflus wordt overgenomen, moet de gasflus of houder correct aangebracht worden (verticale richting).

DE INJECTOREN VERVANGEN (zie de injectortabel in de Veiligheidsvoorschriften)

⚠ Deze bewerking moet door een erkend monteur worden uitgevoerd.

- Verwijder roosters (A).
- Verwijder branders (B).
- Gebruik een dopsleutel van de juiste grootte om de injector los te draaien (C) die vervangen moet worden.
- Vervang de injector door de injector die geschikt is voor het nieuwe gastype.
- Monteer de verstuiver (D).



Vergeet voordat u de kookplaat installeert niet om de bij de verstuivers meegeleverde gaskalibratieplaat zodanig te bevestigen dat deze de bestaande informatie met betrekking tot de gaskalibratie afdekt.

ONDERHOUD EN SCHOONMAKEN

⚠ Trek de stekker uit het stopcontact.

HET OPPERVLAK VAN DE KOOKPLAAT REINIGEN

- Alle geëmailleerde en glazen onderdelen moeten met warm water en een neutrale oplossing gereinigd worden.
- Er kunnen vlekken op roestvrijstalen oppervlakken ontstaan indien deze te lang worden blootgesteld aan kalkrijk water of agressieve reinigingsmiddelen. Eventueel gemorst eten (water, saus, koffie, etc.) dient verwijderd te worden voordat dit opdroogt.
- Reinig met warm water en een neutraal reinigingsmiddel en droog vervolgens met een zachte doek of zeemleer. Verwijder ingebakken vuil met specifieke reinigingsmiddelen voor roestvrijstalen oppervlakken.

OPMERKING: reinig roestvrijstaal alleen met een zachte doek of spons.

- Gebruik geen schurende of bijtende products, reinigingsmiddelen op chloorbasis of schuurspontjes.
- Gebruik geen stoomreinigers.
- Gebruik geen brandbare producten.
- Laat geen zure of basische stoffen, zoals azijn, mosterd, zout, suiker of citroensap op de kookplaat achter.

PROBLEEMOPLOSSING

Indien de kookplaat niet naar behoren werkt, probeer dan aan de hand van Opsporen van storingen het probleem vast te stellen voordat u de Klantenservice belt.

1. De brander ontsteekt niet of de vlam is niet gelijk

Ga na of:

- De gas- of stroomtoevoer niet is afgesloten en vooral of de kraan van de gastoevoer open is.
- De gasfles (vloeibaar gas) niet leeg is.
- De branderopeningen niet verstopt zijn.
- Het uiteinde van de ontstekingsplug niet vuil is.
- Alle branderonderdelen correct gepositioneerd zijn.
- Er geen tocht in de buurt van de kookplaat is.

2. De brander blijft niet branden

Ga na of:

- Bij het ontsteken van de brander de knop lang genoeg is ingedrukt om de veiligheidsvoorziening te activeren.
- De branderopeningen in de buurt van het thermokoppel niet verstopt zijn.
- Het uiteinde van de veiligheidsvoorziening niet vuil is.
- De minimumgasinstelling correct is (zie de betreffende paragraaf).

MINIMUMGASINSTELLING VAN KRANEN AFSTELLEN

⚠ Deze bewerking moet door een erkend monteur worden uitgevoerd.

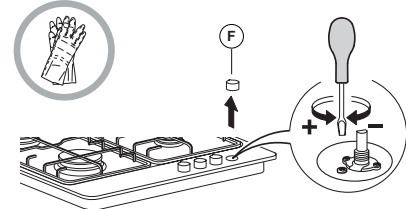
De afstelling moet worden uitgevoerd met de kraan in de stand van de minimumgasinstelling (kleine vlam).

De primaire luchttoevoer van de branders hoeft niet aangepast te worden.

Om ervoor te zorgen dat de minimuminstelling correct wordt aangepast, moet de knop (F) verwijderd worden en dient u als volgt te werk te gaan:

- haal de schroef aan om de vlamhoogte te verkleinen (-);
- draai de schroef los om de vlamhoogte te vergroten (+).

Ontsteek nu de branders en draai de knoppen van de maximale stand naar de minimale stand om de vlamstabiliteit te controleren.



Na het voltooien van de afstelling, dient u afdichtwas of een vergelijkbaar materiaal te gebruiken om af te dichten. f dichtwas of een vergelijkbaar materiaal te gebruiken om af te dichten.

DE ONDERDELEN VAN DE KOOKPLAAT REINIGEN

- Reinig glazen en geëmailleerde onderdelen alleen met een zachte doek of spons.
- Roosters, branderkappen en branders kunnen voor reiniging verwijderd worden.
- Reinig ze handmatig met warm water en een niet-bijtend reinigingsmiddel, verwijder eventuele voedselresten en controleer dat er geen branderopeningen verstopt zijn.
- Afspoelen en drogen.
- **De gietijzeren roosters mogen in de vaatwasser. Verwijder aangebrand voedsel voordat u de roosters in het onderste rek in de vaatwasser plaatst.**
- Breng de branders en branderkappen weer correct in de betreffende behuizingen aan.
- Zorg bij het terugplaatsen van de roosters dat het pannensteungedeelte in lijn is met de brander.
- Bij modellen die zijn uitgerust met elektrische ontstekingspluggen en een veiligheidsvoorziening moet het uiteinde van de plug grondig schoongemaakt worden voor een correcte werking. Controleer deze items regelmatig en reinig ze indien nodig met een vochtige doek. Eventueel ingebakken voedsel moet met een tandenstoker of naald verwijderd worden.

OPMERKING: Om beschadiging van de elektrische ontstekingsinstallatie te voorkomen, dienen deze niet gebruikt te worden wanneer de branders zich niet in hun behuizing bevinden.

3. De houders zijn niet stabiel

Ga na of:

- De onderzijde van de houder volledig vlak is.
- De houder gecentreerd op de brander gepositioneerd is.
- De roosters niet vervangen of incorrect gepositioneerd zijn.

Als na het uitvoeren van deze controles de storing nog steeds aanwezig is, contact opnemen met de dichtstbijzijnde Klantenservice.

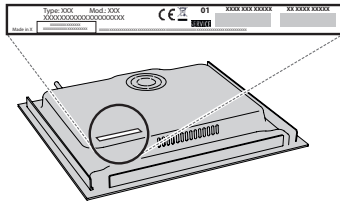
BEVOR SIE DEN KUNDENDIENST RUFEN:

1. Versuchen Sie zuerst, die Störung anhand der in **LÖSEN VON PROBLEMEN** beschriebenen Ratschläge selbst zu beheben.
2. Schalten Sie das Gerät aus und wieder ein, um festzustellen, ob die Störung behoben ist.

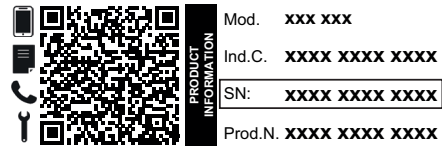
FALLS DIE STÖRUNG NACH DEN VORSTEHEND BESCHRIEBENEN KONTROLLEN WEITER BESTEHT, WENDEN SIE SICH BITTE AN DEN NÄCHSTEN KUNDENSERVICE.

Wenn Sie den Kundendienst kontaktieren, immer die folgenden Angaben machen:

- Eine kurze Beschreibung der Störung,
- Gerätetyp und Modellnummer;



- het serienummer (nummer na het woord SN op het kenplaatje onder het apparaat). Het serienummer staat ook in de documentatie;



- uw volledige adres;
- uw telefoonnummer

Wend u tot een erkende Whirlpool Consumenten Service indien reparatie noodzakelijk is (alleen dan heeft u zekerheid dat originele vervangingsonderdelen worden gebruikt en de reparatie correct wordt uitgevoerd).

Beleid, standaarddocumentatie en aanvullende productinformatie vindt u:

- Met de QR-code van uw apparaat;
- Op onze website docs.whirlpool.eu/docs;
- Anders, **contacteer onze Klantenservice** (Het telefoonnummer staat in het garantieboekje). Wanneer u contact opneemt met de Klantenservice, gelieve de codes te vermelden die op het identificatieplaatje van het apparaat staan.



®/TM/© 2024 Whirlpool. Hergesteld unter Lizenz.