

# FWDD117168SBS EX

12NC: 859991550250

GTIN (EAN) code: 8003437232718



## Whirlpool freestanding washer dryer: 11kg - FWDD117168SBS EX

This Whirlpool freestanding Washer Dryer features: silver color. Outstanding 11kg washing capacity. Spacious 7kg drying capacity. Exclusive 6th SENSE technology that constantly monitors the moisture inside the drum, protecting your clothes and providing ideal washing and drying results. A fast, resource-efficient 1600 revolutions per minute spin speed.



### 6th Sense Technology

Ideal fabric care. This Whirlpool Dryer's unique 6th SENSE technology provides multiple flows of warm air that delicately dry your laundry, with absolute care.



### FreshCare+

Delicate steaming and tumbling action take care of your garments inside the washer dryer\*. \* FreshCare+ treatment, thanks to steaming and tumbling actions, inhibits the proliferation of the main bad odour sources for up to 6 hours after the washing ends and, thanks to the tumbling action, avoids the creases fixing on garments for up to 6 hours after the drying cycle ends.

### Wash&Dry

With the Whirlpool washer dryer you can clean and dry clothes using a single appliance.



### 1600 rpm

Outstanding speed. This Whirlpool Washer Dryer features a 1600 rounds per minute spin speed.



### A class

Energy efficient. With its A energy rating, this Whirlpool Washer Dryer will allow you to enjoy both ideal results and lower energy consumption.



### 7 Kg Dry capacity

All the space you need. With its outstanding 7kg drum capacity, this Whirlpool Dryer provides all the space you need for your laundry.



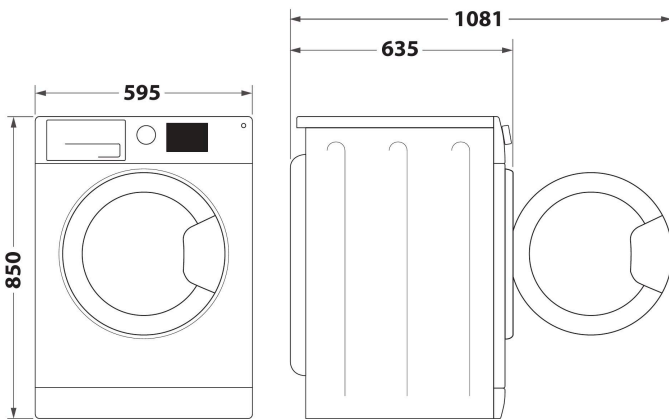
### 1 Kg laundry in 45 minutes

Enjoy better results, faster. The 45 Minute program washes and dries 1 kg of laundry in just 45 minutes, providing the excellent results you deserve, in less time.



### 11 + 7 Kg

All the space you need. With its outstanding 11kg wash and 7 kg dry capacity, this Whirlpool washer dryer provides all the space you need for your laundry.



- Energy class A
- Drying capacity: 7 kg
- Maximum spin speed: 1600 rpm
- Washing noise 53 dB(A) / drying noise 59 dB(A) / spinning noise 83 dB(A)
- 6TH Sense Technology
- Water consumption 100 L
- FreshCare+
- Start delay 1-24h
- Wash & Dry 45 min
- Wash & Dry 90 min
- Program chrono 30
- Eco cotton
- Colours 15°
- Rapid
- Delicates
- Program Progress Indicators

# FWDD117168SBS EX

12NC: 859991550250

GTIN (EAN) code: 8003437232718

## MAIN FEATURES

Product group	Washer dryer
Commercial code	FWDD117168SBS EX
GTIN (EAN) code	8003437232718
Construction type	Free-standing
Installation type	Free-standing
Removable work top	No
Loading type	Front loader
Main colour of product	Silver
Electrical connection rating (W)	1850
Current (A)	10
Voltage (V)	220-240
Frequency (Hz)	50
Length of Electrical Supply Cord (cm)	170
Plug type	Schuko
Height of the product	850
Width of the product	595
Depth of the product	605
Depth with open door 90 degree (mm)	-
Net weight (kg)	73.4

## TECHNICAL FEATURES

Automatic programmes	Yes
Moisture monitoring system	Yes
Adjustable drying temperature	No
Progress indicator	LCD
Digital countdown indicator	No
Start delay options	Continuous
Start delay time max. (h)	0
Blocked filter indicator	No
Quick dry	No
Anti-crease function	No
Drum volume (l)	71

## PERFORMANCES

Energy efficiency class	A
Spin drying class	A
Capacity cotton (kg) washing	11
Capacity cotton drying (kg)	7
Noise level (dB(A) re 1 pW) -	54
Noise level drying (dB (A) re 1 pW)	59
Rest humidity % on dry load after max. spin	44
Energy consumption (wash and dry of full wash load) (kWh)	7.48
Energy consumption (wash only) (kWh)	1.21
Water consumption (wash and dry full wash load) (l)	100
Total annual energy consumption (Washing and drying 200 full loads) (kWh)	1496
Total annual water consumption (Washing and drying 200 full loads) (l)	20000
Washing and drying cycle time (min)	875

<b>Energy</b>		Washer-dryer
Manufacturer Model		WHIRLPOOL FWDD117168SB S EX
<b>More efficient</b>		<b>A</b>
<b>Less efficient</b>		
Energy consumption (to wash and dry a full capacity wash load at 60°C)	kWh	<b>7.48</b>
Washing (only)	kWh	<b>1.21</b>
Actual energy consumption will depend on how the appliance is used		
Washing performance	A B C D E F G	<b>A</b>
A: higher Spin speed (rpm) G: lower		
1600		
Capacity (cotton) kg	Washing Drying	<b>11</b> <b>7</b>
Water consumption (total) l		<b>100</b>
Noise (dB(A) re 1 pW)	Washing Spinning Drying	<b>53</b> <b>85</b> <b>59</b>
Further information is contained in product brochures		
Norm EN 50229 Washer-drier Label Directive No 96/60/EC		