

DAILY REFERENCE GUIDE

AWG 812 / PRO

ORIGINAL INSTRUCTIONS FOR USE



THANK YOU FOR BUYING A WHIRLPOOL PRODUCT.
 In order to receive a more complete assistance, please register your appliance on www.whirlpool.eu/register

Before using the appliance, carefully read the *Health and Safety guide*.

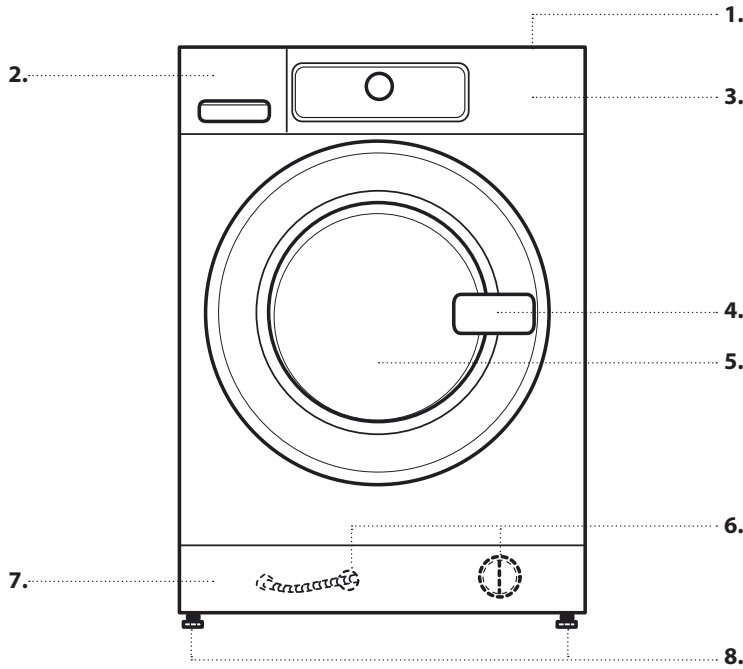


Before using the machine, it is imperative that the transport bolts are removed.

For more detailed instructions on how to remove them, see the *Installation Guide*.

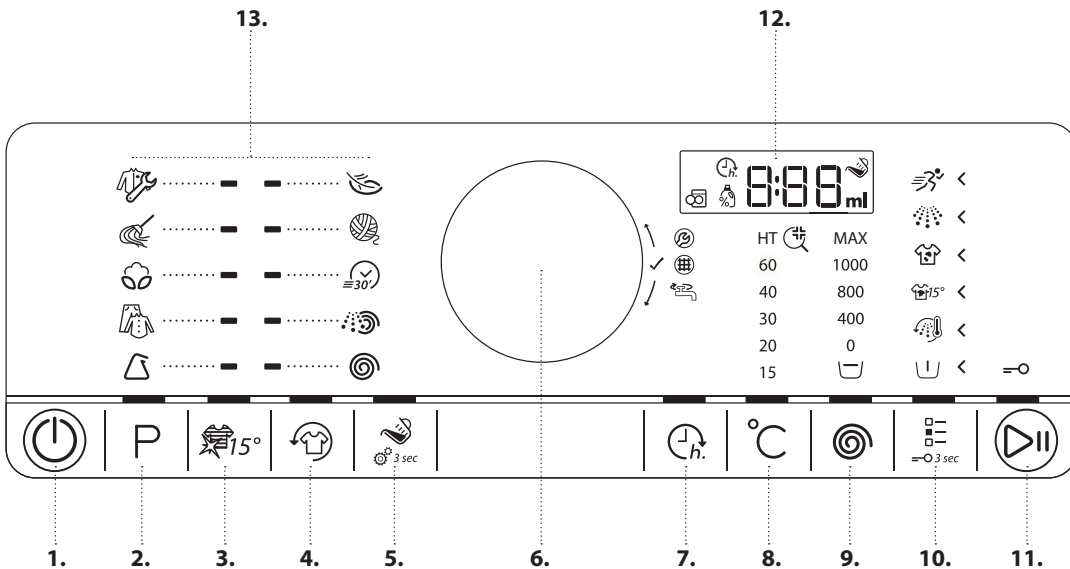
PRODUCT DESCRIPTION

APPLIANCE



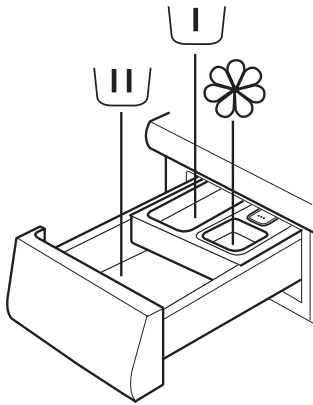
1. Worktop
2. Detergent dispenser
3. Control panel
4. Door handle
5. Door
6. Water filter/emergency drain hose (if available) - behind plinth -
7. Plinth (removable)
8. Adjustable feet (4)

CONTROL PANEL



1. On/Off button (Reset/Drain if pressed and held down)
2. Programme button
3. Colours 15° button
4. Fresh Care button
5. Dosing Aid button
6. Knob (Turn to select/ Press to confirm)
7. Start delay button
8. Temperature button
9. Spin Speed button
10. Options button (Key lock if pressed and held down)
11. Start / Pause button
12. Display
13. Programmes area

DETERGENT DISPENSER



1. Main wash compartment

- Detergent for the main wash
- Stain remover
- Water softener



2. Prewash compartment

- Detergent for the prewash.



3. Softener compartment

- Fabric softener
- Liquid starch



Pour in softener or starch solution only up to the "max" mark.

4. Release button

(Press to remove the detergent dispenser for cleaning).



DETERGENT RECOMMENDATIONS FOR VARIOUS TYPES OF LAUNDRY

White robust laundry	(cold-HT)	Heavy duty detergents
White delicate laundry	(cold-40°C)	Mild detergents containing whitener and/or optical brighteners
Light/pastel colours	(cold-60°C)	Detergents containing whitener and/or optical brighteners
Intensive colours	(cold-60°C)	Colour detergents without whitener/optical brighteners
Black/dark colours	(cold-60°C)	Special detergents for black/dark laundry

FIRST TIME USE

See the section on *DAILY USE* for information on how to select and start a programme.

FIRST CYCLE

When you plug in the washing machine, it will switch on automatically.

To remove any residues from the manufacturing process:

- Select the "Cotton" programme at a temperature of HT.

- Add a small amount of heavy duty detergent to the main wash compartment of the detergent dispenser (maximum 1/3 of the quantity recommended by the detergent manufacturer for lightly soiled laundry)



- Start the programme **without adding any laundry**.

DAILY USE

See the *Use and Care Guide* for more details on functions / see the last page for information on how to obtain the *Use and Care Guide*

1. LOAD LAUNDRY

- Prepare your laundry according to the recommendations in the "HINTS AND TIPS" section. Make sure that pockets are empty, fasteners closed and ribbons tied together.



- Open the door and load the laundry. Observe the maximum load sizes given in the programme chart.

2. CLOSE THE DOOR

- Make sure that no laundry gets stuck between door glass and the rubber seal.



- Close the door so that you can hear it click shut.

3. OPEN THE WATER TAP



4. SWITCH ON THE WASHING MACHINE

- Press the "On/Off" button until the programme button lights up. An animation appears on the control panel and the appliance plays a sound. The washing machine is then ready for operation.

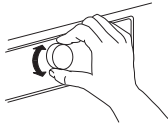


5. SET THE DESIRED PROGRAMME

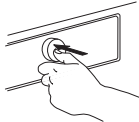
GUIDED MODE — the button light will guide you through setting your programme in the following order: Selection of programme/temperature/spin speed/options. As soon as you confirm a selection by pressing the knob, the button light jumps to the next step.

- Select programme:**

Make sure that the programme button lights up.



Turn the knob to select the desired programme. The indicator next to the selected programme lights up.



Confirm the desired programme by pressing the knob.

- Change temperature, if required**

If you want to change the temperature indicated on the display, make sure that the Temperature button lights up. Turn the knob to select the desired temperature, then press the knob to confirm.




- Change spin speed, if required**

If you want to change the spin speed indicated on the display, make sure that the Spin button lights up. Turn the knob to select the desired spin speed, or Rinse hold, then press the knob to confirm. Refer to OPTIONS, FUNCTIONS AND INDICATORS for more information.



- Select options, if required**

If you want to select additional options, make sure that the Options button lights up. The options which are selectable for your programme are indicated by the arrows which are lit up . Turn the knob to select the desired options. The symbol for the selected option will flash. Press the knob to confirm. Some options/functions can be selected by pressing the button directly:




Refer to the OPTIONS, FUNCTIONS AND INDICATORS section for more information.


INDIVIDUAL MODE

After you have switched on the washing machine, you are not forced to follow the GUIDED MODE. The order in which you choose to set your programme is up to you. To make a setting, first press the relevant button, then turn the knob to select, and finally press the knob to confirm. The range of temperatures, spin speeds and options depend on the programme selected. It is therefore recommended that you start by selecting the programme.

6. ADD DETERGENT

- If you are **not** using the Dosing Aid function, pull out the detergent dispenser and add detergent (and additives/softener) now; observe the dosing recommendations on the detergent pack.  If you have selected PREWASH or START DELAY, observe the recommendations in the OPTIONS, FUNCTIONS AND INDICATORS section. Then carefully close the detergent dispenser.
- If you are using the **"Dosing Aid" function, add detergent later**, after you have started the programme. Refer to the OPTIONS, FUNCTIONS AND INDICATORS section for more information.
- After having added detergent/additives, do not open the detergent dispenser to avoid any overflow.

7. START PROGRAMME

- Press and hold "Start/Pause" until the button lights up and stays on; the programme will start. 
- If you have selected **"Dosing Aid"**, the washing machine indicates the recommended detergent amount for your laundry load after the programme starts. Follow the instructions as indicated in the OPTIONS, FUNCTIONS AND INDICATORS/Dosing Aid section.

8. CHANGE THE SETTINGS OF A PROGRAMME WHICH IS RUNNING, IF REQUIRED

You can still change the settings while a programme is running. The changes will be applied, provided the respective programme phase has not yet finished.



- Press the relevant button (for example the "Spin speed" button to change the spin speed). The selected value will flash for a few seconds.
- While it is flashing, you can adjust the setting by turning the knob. If the value stops flashing before you have adjusted it, press the button again.
- Press the knob to confirm the new setting. If you do not confirm it, the new setting will be confirmed automatically: It will stop flashing.

The programme will continue automatically.

To change the settings of a programme which is running, you can also:

- Press "Start/Pause" to pause the programme which is running.
- Change the settings as desired.
- Press "Start/Pause" again to continue the programme.

9. PAUSE A PROGRAMME WHICH IS RUNNING AND OPEN THE DOOR, IF REQUIRED

- Press and hold "Start/Pause" to pause a programme which is running. 
- Provided the water level and/or temperature is/are not too high, the door open indicator lights up. You can open the door, for example to add/remove laundry. 
- Press "Start/Pause" to continue the programme.

10. RESET A PROGRAMME WHICH IS RUNNING, IF REQUIRED

- Press and hold the "On/Off" button until "rES" appears on the display.



The water drains, the programme ends and the door unlocks.

11. SWITCH OFF THE WASHING MACHINE AFTER THE PROGRAMME HAS ENDED

- "End" will appear on the display and the door open indicator will light up – you can remove your laundry.



- Press "On/Off" to switch off the washing machine. The washing machine will switch off automatically after about a quarter of an hour after the programme ends, to save energy.
- Leave the door ajar so that the inside of the washing machine can dry.



HINTS AND TIPS

SORT YOUR LAUNDRY ACCORDING TO

- Type of fabric/care label (cotton, mixed fibres, synthetics, wool, handwash items)
- Colour (separate coloured and white items, wash new coloured items separately)
- Delicates (wash small items – like nylon stockings – and items with hooks – like bras – in a cloth bag or pillow case with zip).

EMPTY ALL POCKETS

- Objects like coins or lighters can damage your laundry as well as the drum.

WASH CARE LABELS

The temperature in the washtub symbol indicates the maximum possible temperature for washing the item.



Normal mechanical action



Reduced mechanical action



Much reduced mechanical action



Hand wash only



Do not wash

CLEAN THE WATER FILTER REGULARLY

- This helps to prevent it from getting clogged, which could cause that the drain water cannot be pumped out anymore. Refer to the CARE AND MAINTENANCE/"Cleaning the water filter" section in the Use and Care Guide.

SAVINGS AND ENVIRONMENT

- Achieve the best use of energy, water, detergent and time by using the recommended maximum load size for the programmes, as indicated in the programme chart.
- Do not exceed the detergent dosages indicated in the detergent manufacturer's instructions. Use the Dosing Aid function.
- Save energy by using a 60 °C instead of a HT wash programme or a 40 °C instead of a 60 °C wash programme.
- Save energy and time by selecting a high spin speed to reduce the water content in the laundry before using a tumble dryer.

PROGRAMME CHART

Programme	Care labels	Temperature °C	Max load (Kg)	Selectable using the Options button						Selectable directly				Spin		Detergent and additives		
				Prewash	Hot Finish	Bio Stain 15	Heavy Soil	Intensive Rinse	Rapid	Colours 15°	Fresh Care	Dosing Aid	Start delay	Max. spin speed (rpm)w	Rinse hold	Prewash	Main Wash	Softener
WORKING CLOTHES		Cold/80°C HT*	max	✓	✓	✓	✓	✓	✓	✓	✓	✓	✓	max	✓	○	●	○
MOPS AND TOWELS		Cold/60°C	4.5	✓	✓	✓	—	✓	✓	✓	✓	✓	✓	max	✓	○	●	○
COTTON		Cold/80°C HT*	max	✓	✓	✓	✓	✓	✓	✓	✓	✓	✓	max	✓	○	●	○
MIXED		Cold/60°C	4.0	✓	✓	✓	—	✓	✓	✓	✓	✓	✓	max	✓	○	●	○
SYNTHETICS		Cold/60°C	3.0	✓	—	✓	✓	✓	✓	✓	✓	✓	✓	max	✓	○	●	○
DELICATES		Cold/40°C	1.5	✓	—	—	—	—	✓	✓	✓	✓	✓	1000	✓	○	●	○
WOOL		Cold/40°C	1.0	—	—	—	—	—	✓	✓	✓	✓	✓	1000	✓	—	●	○
RAPID 30'		Cold/30°C	3.0	—	—	—	—	—	—	✓	✓	✓	✓	max	✓	—	●	○
RINSE&SPIN		—	max	—	—	—	—	✓	—	—	✓	—	✓	max	✓	—	—	○
SPIN		—	max	—	—	—	—	—	—	—	✓	—	✓	max	—	—	—	—

Selectable/optional
 Not selectable/applicable
 Dosing required
 Dosing optional

(*) Highest Temperature that can be reached with this cycle, related to the different operating conditions of the washing machine, such as: water temperature, power supply voltage, load quantity, etc.

PROGRAMMES

Observe the recommendations on the care labels of your laundry.
Do not deselect options which are preset, to make sure that the programme performs at its optimum.

WORKING CLOTHES

Dirty working clothes made of robust cotton material or cotton-synthetics blends. Options "Prewash" and "Intensive rinse" are preset in this programme - thus it is optimized to enable the best cleaning result.

For extremely dirty garments, we recommend to shake them out thoroughly before putting them into the washing machine. If you want, you can use a stain remover on oxygen basis.



DELICATES

Fine laundry made of delicate fabrics, which needs gentle treatment.



WOOL / HANDWASH

Wool items labelled with the Woolmark and identified as machine washable, as well as textiles made of silk (observe recommendations on care label), linen, wool and viscose marked as hand wash only.



MOPS AND TOWELS

Normally to heavily soiled washable cleaning cloths, mops, towels and similar laundry made of robust cotton cloth types. Intensive wash programme with an included prewash; add detergent also to the prewash chamber of the detergent drawer in case of heavy soiling.



RAPID 30'

Lightly soiled laundry made of cotton, synthetics and their blends. Refresh programme for laundry without stains.



COTTON (Antibacterial)

Normally to heavily soiled and robust cottons and linen.



RINSE AND SPIN

Separate rinse and intensive spin programme. For robust laundry.



MIXED

Lightly to normally soiled robust laundry made of cotton, linen, artificial fibres and their blends. 1-hour programme.



SPIN

Separate intensive spin programme. For robust laundry.



SYNTHETICS

Normally soiled laundry made of artificial fibres or cotton blends.



CONSUMPTION DATA

This data may differ in daily operation due to changing conditions in inlet water temperature, water pressure etc.

PROGRAMME	TEMPERATURE (°C)	LOAD (KG)	APPROXIMATE PROGRAMME DURATION (H:MIN)		APPROXIMATE REMAINING MOISTURE CONTENT (%)
			WITHOUT RAPID	WITH RAPID	
WORKING CLOTHES	60	8.0 (max)	02:25	01:55	53
MOPS AND TOWELS	60	4.5	01:50	01:35	53
MIXED	40	4.0	01:20	01:15	59
COTTON	HT	8.0 (max)	03:00	--	59
COTTON	60	8.0 (max)	02:40	02:00	59
COTTON	40	8.0 (max)	02:10	02:00	59
SYNTHETICS	40	3.0	01:50	01:30	39

Values measured in normal conditions in accordance with IEC/EN 60456. Water, energy and remaining moisture content values refer to the default setting of the programmes, without options.

Power consumption in off-mode is 0.25 W/in left-on mode 0.25 W.

* Duration indicated after load sensing

max = maximum load capacity of the washing machine

OPTIONS, FUNCTIONS AND INDICATORS

OPTIONS which are directly selectable by pressing the dedicated button

Colours 15°

Helps to preserve the colours of your laundry by washing them with cold water (15°C). Saves energy used in heating the water, while maintaining good wash results.

Suitable for lightly soiled coloured laundry without stains. Not selectable for HT.



Fresh Care

Helps to keep your laundry fresh if you cannot remove it from the machine shortly after the programme ends. The washing machine will start to tumble the laundry periodically after the programme ends. This lasts up to approximately 6 hours after the end of your wash programme. You can stop it at any time by pressing any button; the door unlocks and you can remove your laundry.



Dosing Aid

Helps to dose the right amount of detergent for your laundry load. Before using this option:

The concentration of detergents available on the market varies considerably. For this reason, adjust the washing machine to the dosing amounts of the detergents which you use. Furthermore, check if the washing machine's preset water hardness level (soft) corresponds to your local water hardness level and adjust it if necessary (see "First use of the Dosing Aid" in the "Use and Care Guide").



1) Select Dosing Aid:

After selecting the programme and options, press the "Dosing Aid" button; the Dosing Aid symbol lights up on the display.

2) Start programme:

Start the programme by pressing "Start/Pause". – The drum will rotate to detect the laundry load; afterwards the display will show the recommended detergent amount in ml.



3) Add detergent:

Pull out the detergent dispenser and pour in the quantity of detergent which is indicated on the display into the main wash compartment of the detergent dispenser.



If you have selected the "Prewash" option and you want to add detergent for the prewash as well, pour in half of the indicated detergent amount into the prewash compartment, in addition to the full amount which you have already added to the main wash compartment.

Instead of adding detergent to the detergent dispenser, it can also be added directly to the drum, in a detergent ball. For programmes with prewash: Prewash detergent can be added to the drum, main wash detergent must be added to the main wash compartment of the detergent dispenser. In this case, use powder detergent for the main wash in order to ensure that it stays in the detergent dispenser until start of the main wash phase. After adding detergent, close the detergent dispenser (or door).

4) Press and hold "Start/Pause" to continue the programme.

OPTIONS which are selectable via the button



Prewash

Helps to clean heavily soiled laundry by adding a prewash phase to the wash programme selected.

For heavily soiled laundry, for example containing sand or granular dirt.

Extends the programme by about 20 minutes.

Add detergent to the prewash compartment of the detergent dispenser as well, or directly into the drum. Use powder detergent for the main wash in order to ensure that the detergent stays in the detergent dispenser until the start of the main wash phase.

This option is preset for programmes "Working clothes" and "Mops and Towels". To optimise the washing result, it is recommended not to deselect "Prewash" for these programmes.



Hot Finish

The programme ends with a warm rinse phase. Relaxes the fibres of your laundry so that the laundry feels comfortably warm when taking it out a short time after the programme ends.



Bio Stains 15°

Helps to remove all kinds of stains, except grease/oil. The programme begins with a cold water wash phase. Extends the programme by about 10 minutes. Pre-treatment recommended for stubborn stains. Not selectable for HT.



Heavy Soil

Helps to clean heavily soiled, stained laundry by optimising the efficiency of additives for stain removal.

Add an appropriate amount of in-wash additive for stain removal (powder) to the main wash compartment, together with your detergent (powder only). May extend the programme by up to 15 minutes.

Appropriate for use with oxygen-based stain removers and bleaching agents. **Chlorine or perborate bleach agents must not be used.**



Intensive Rinse

Helps to avoid detergent residues in the laundry by extending the rinse phase.

Particularly suitable for washing baby laundry, for people suffering from allergies and for areas with soft water.



Rapid

Enables quicker washing.

Only recommended for lightly soiled laundry.

Not selectable for HT.



FUNCTIONS

Rinse hold (option on Spin button)

Avoids automatic spinning of the laundry at the end of the programme. The laundry remains in the last rinse water and the programme does not continue.



Suitable for delicate laundry which is not suitable for spinning, or which should be spun with a lower spin speed. Not suitable for silk.

To end the "Rinse hold" function, choose between:

- **drain the water, no spin:**

turn the knob to select spin speed "0", then press "Start/Pause": The water will be drained and the programme ended



- **spin the laundry:**

the default spin speed flashes – start the spin cycle by pressing "Start/Pause".



Or select a different spin speed by turning the knob, press it to confirm, and press "Start/Pause".

Start delay

Moves the start of your programme to a later time.

Do not use liquid detergent with this function.



- Select programme, temperature and options.
- Press the "Start delay" button – the start delay symbol on the display flashes.
- Turn the knob to select a delay of up to 23 hours, which will be shown on the display. Confirm by pressing the knob.
- Press "Start/Pause" – the countdown for the delay starts. The colon on the display flashes. The door locks.
- If you have selected Dosing Aid: When you press "Start/Pause", the washing machine calculates the recommended detergent amount. Add detergent as indicated on the display (see "Dosing Aid"). Press "Start/Pause" again to start the countdown for the selected delay period.
- After the delay time has been reached, the washing machine starts automatically. The display then indicates the remaining programme duration.

To cancel "Start delay":

- Press "Start/Pause" to cancel start delay.

Key lock

Locks the buttons and the knob on the control panel against unwanted operation.

3 sec

To lock the buttons:

- The washing machine must be switched on.
- Press and hold the option button until the key symbol on the display lights up. The knob and the buttons are now locked. Only "On/Off" works.



If you switch the washing machine off and on again, the key lock remains active until you unlock it.

To unlock the buttons, press and hold the option button again, until the key symbol on the display goes off.



INDICATORS

Door can be opened.



Failure: Water tap closed. The washing machine has no/insufficient water supply.



Failure: Water filter clogged. Water cannot be drained; water filter might be blocked



Failure: Call Service. Refer to Troubleshooting section in the Use and Care Guide.



In the event of any failures, refer to the Troubleshooting section in the "Use and Care Guide".

MAINTENANCE AND CLEANING AND TROUBLESHOOTING

For maintenance and cleaning, and for troubleshooting, see the

Use and Care Guide.

The **product literature** can alternatively be obtained as follows:

- Download from the Whirlpool Website <http://docs.whirlpool.eu>



CONTACTING AFTER-SALES SERVICE

Provide both numbers shown on the service sticker inside the door when contacting the After-Sales Service team.

<http://www.whirlpool.eu>

The phone number can be found in the warranty booklet.

IF THE WASHING MACHINE APPEARS TO BE DAMAGED, CONTACT THE OWNER AND, IF NECESSARY, THE AFTER-SALES SERVICE.



400011320519

